

Rebris E

Single lever basin mixer 210 with swivel spout and pop-up waste set

Surfaces: **Matt Black** Article Number: **72576670**



Description

product features

- consists of: single lever basin mixer, waste set
- ComfortZone 210
- projection: 154 mm
- spout height: 222 mm
- swivel range 120°
- spray type: normal spray
- maximum flow rate at 3 bar: 5 l/min
- ceramic cartridge
- temperature limitation adjustable
- suitable for continuous flow water heaters
- pop-up waste set G 1¼
- material waste set: synthetic
- connection type: G ¾ connections
- connection dimension: DN15

Technology



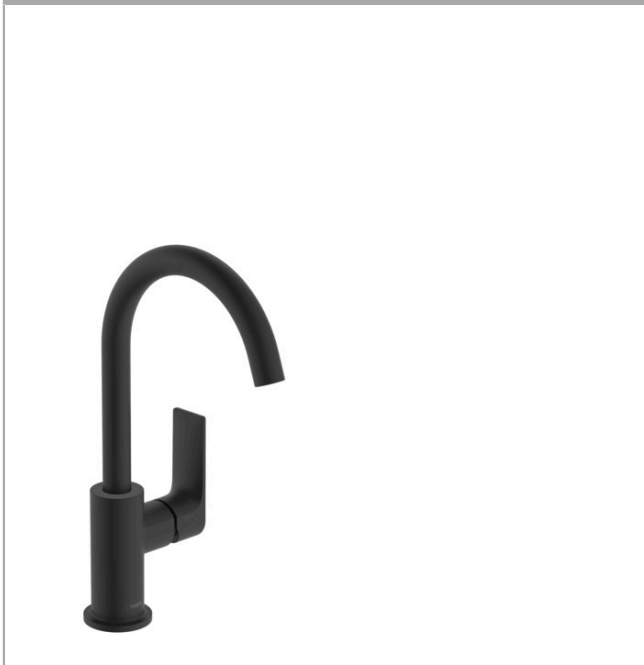
Design awards



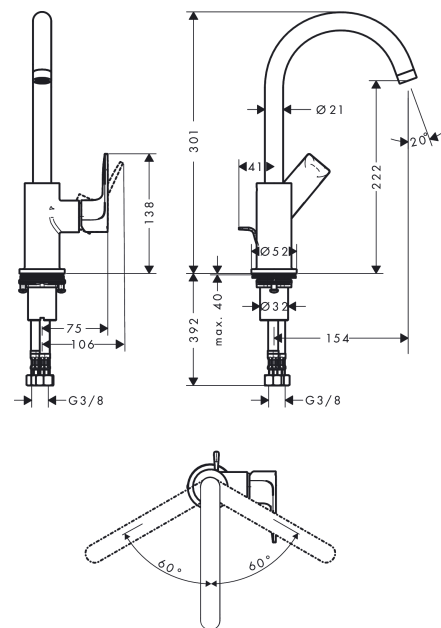
Certificates



Product image



Scale drawing



Rebris E

Single lever basin mixer 210 with swivel spout and pop-up waste set

Surfaces: **Matt Black** Article Number: **72576670**



Flowchart



Rebris E

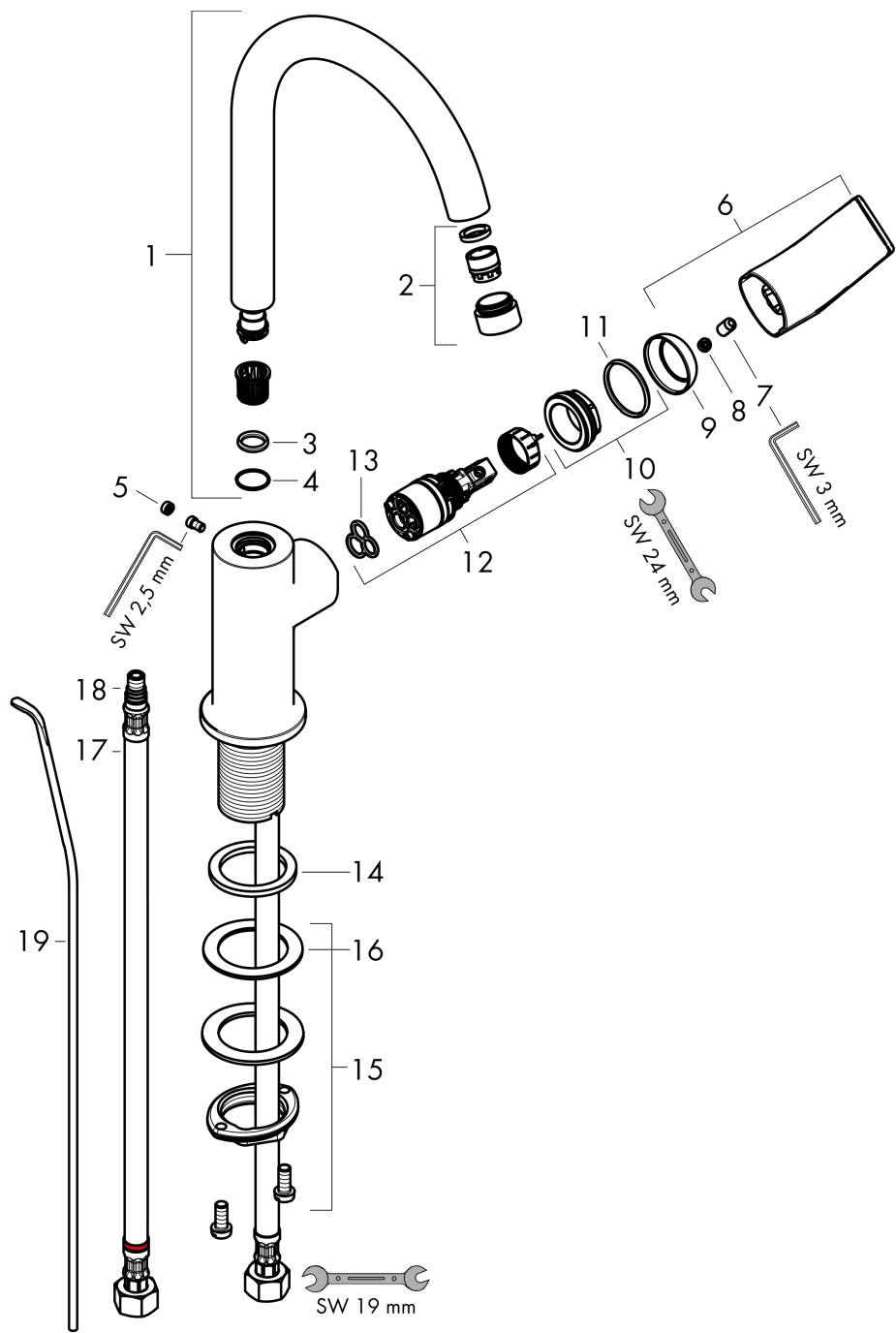
Single lever basin mixer 210 with swivel spout and pop-up waste set

Surfaces: **Matt Black** Article Number: **72576670**



Exploded Drawing

Year of production: >06/22



Rebris E**Single lever basin mixer 210 with swivel spout and pop-up waste set**Surfaces: **Matt Black** Article Number: **72576670****Spare part list**

Year of production: >06/22

Pos.	Description	Article Number	Price	PU
1	spout cpl.	95494670	€ 129,23	1
2	aerator M18x1 (5 l/min)	95387670	€ 53,91	1
3	O-ring 11x2	98127000	€ 3,21	1
4	O-ring 13x1	98386000	€ 3,21	1
5	screw cover	95704610	€ 4,88	1
6	handle	94647670	€ 67,00	1
7	hollow set screw M6x10 DIN 916	96029000	€ 3,21	1
8	screw cover	95704000	€ 3,21	1
9	flange	95493670	€ 27,49	1
10	nut	95178000	€ 35,94	1
11	O-ring 24x2	98388000	€ 3,21	1
12	cartridge, assy	95973001	€ 70,57	1
13	seal	98865000	€ 28,20	1
14	flat seal	98749000	€ 5,24	1
15	fixing set (Ø 32)	13961000	€ 22,37	1
16	lever collar	97548000	€ 3,21	1
17	connection hose 450 mm M8x0,75 G3/8	97206000	€ 28,20	1
18	O-ring 7x1,5	98422000	€ 3,21	1
19	pull rod	96657670	€ 17,02	1
a	pop up waste	94139670	€ 150,65	1
b	fixation extension 35 mm	13898000	€ 70,57	1