

REMER

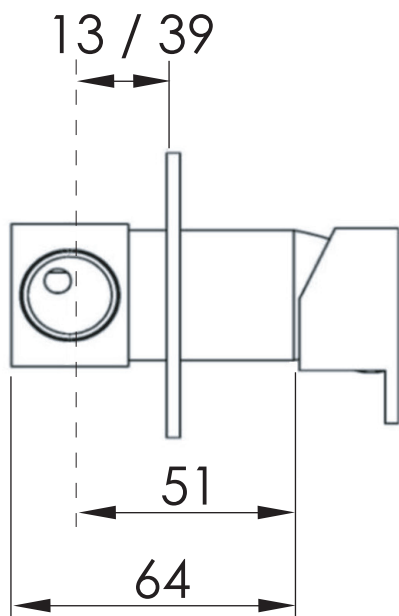
RUBINETTERIE

SCHEDA TECNICA

TECHNICAL FEATURES

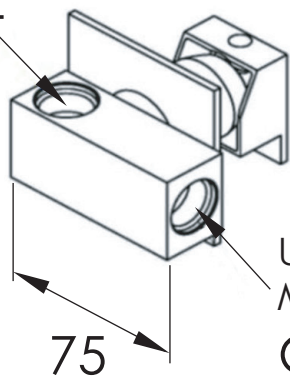
ART. COD.

Q63



ACQUA FREDDA
COLD WATER

G1/2

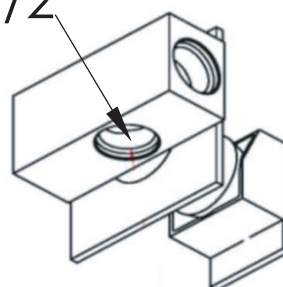


USCITA ACQUA MISCELATA
MIXED WATER OUTLET

G1/2

ACQUA CALDA
HOT WATER

G1/2



MATERIALI / MATERIALS

OTTONE CROMATO / CHROME PLATED BRASS

CROMATURA / CHROME PLATING

UNI EN 248

Via Leonardo da Vinci 83 - 20062 Cassano d'Adda (MI) Italy - Tel. +39-0363 364211

info@remer.eu

www.remer.eu