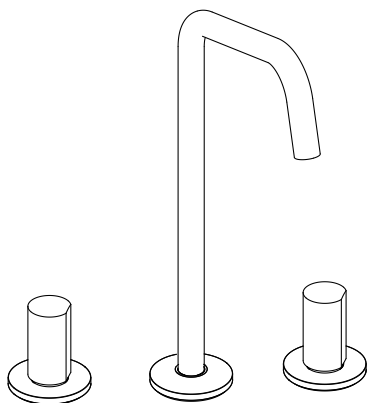


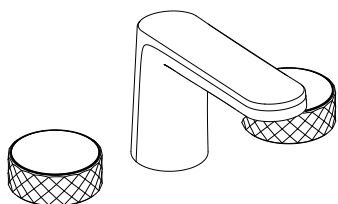
**ELIZABETH - ELIZABETH CHIC - OLIVIA  
EPOQUE - HEREND - HEREND CHIC  
MAXIMA**

Centro Ricerca Fima design



**SO**

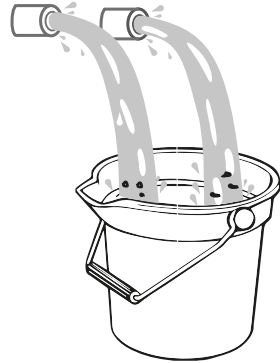
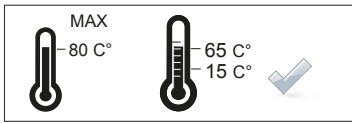
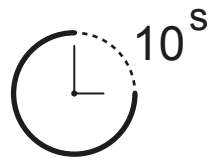
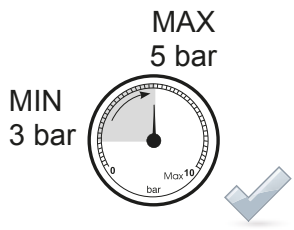
Davide Vercelli design



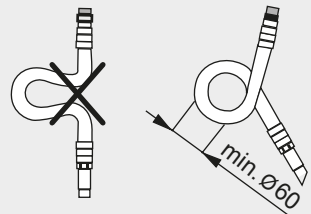
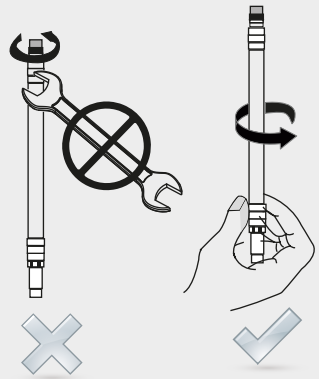
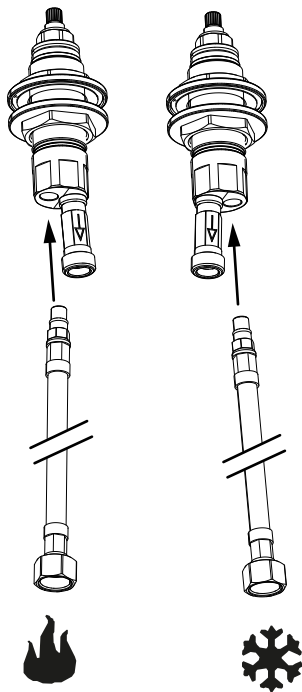
**TEXTURE COLLECTION**

Meneghello Paoletti design

1

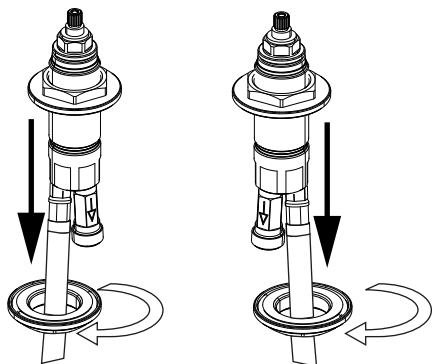


2

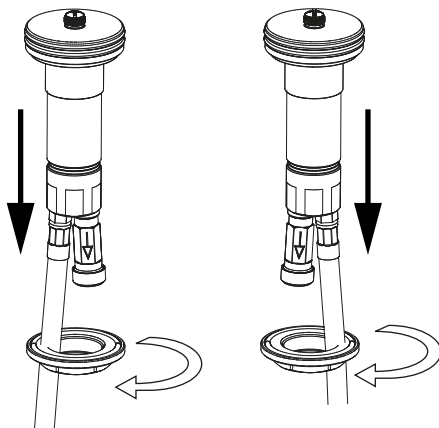


3

ELIZABETH - ELIZABETH CHIC - OLIVIA -  
EPOQUE - HEREND - HEREND CHIC -  
MAXIMA

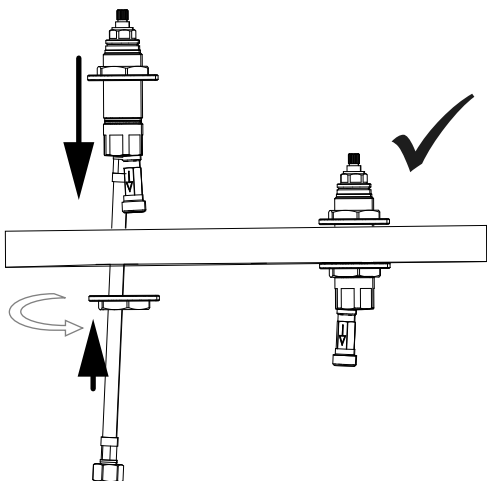


TEXTURE COLLECTION - SO

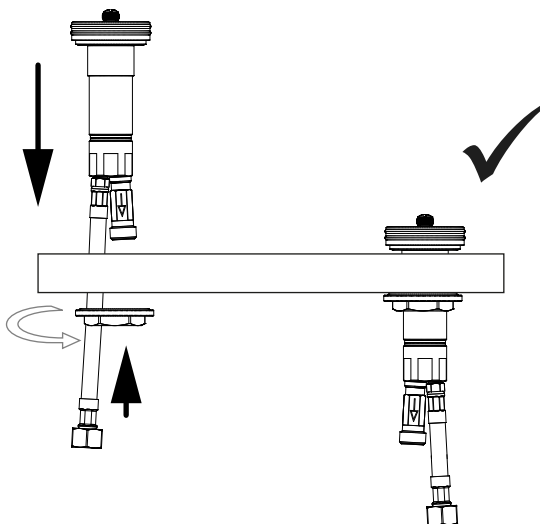


4

ELIZABETH - ELIZABETH CHIC - OLIVIA -  
EPOQUE - HEREND - HEREND CHIC -  
MAXIMA



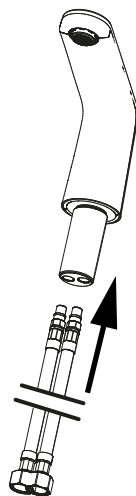
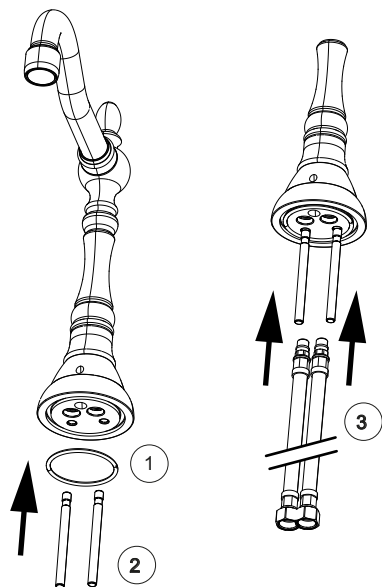
TEXTURE COLLECTION - SO



5

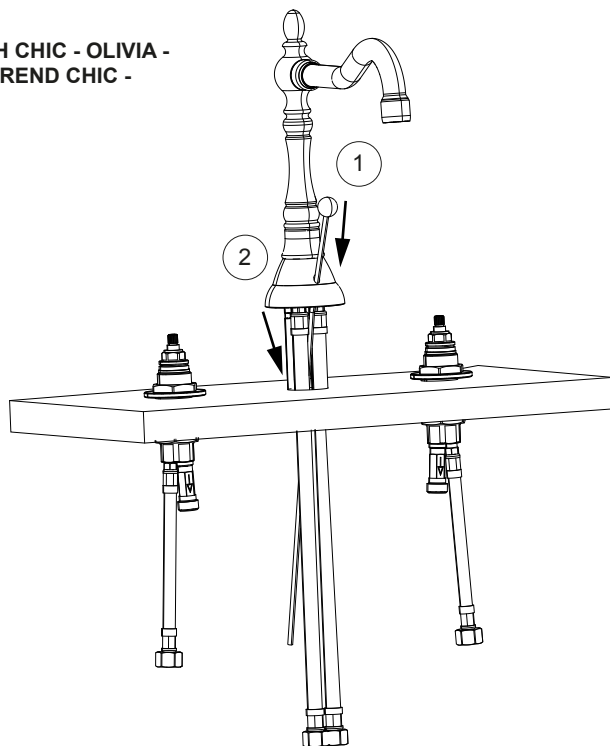
ELIZABETH - ELIZABETH CHIC - OLIVIA -  
EPOQUE - HEREND - HEREND CHIC -  
MAXIMA

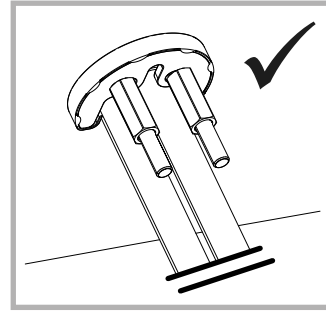
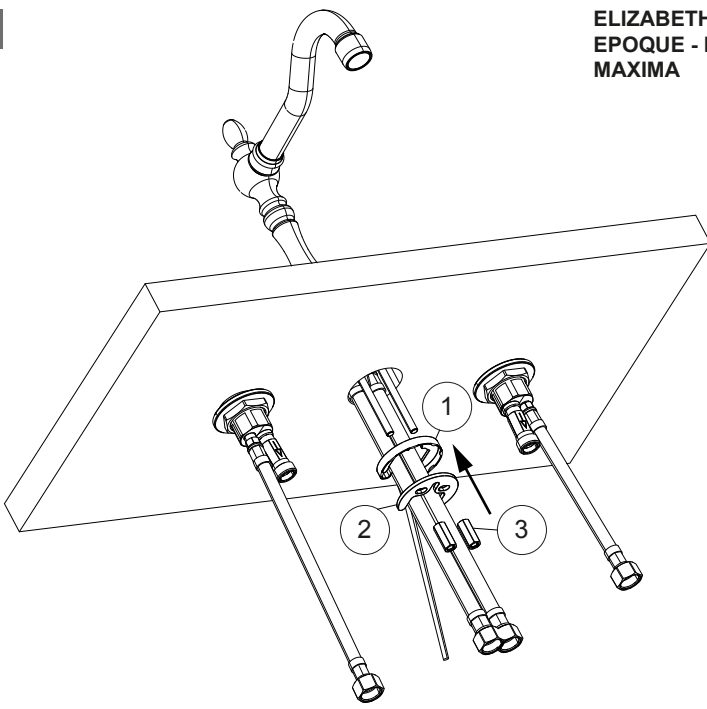
TEXTURE COLLECTION - SO



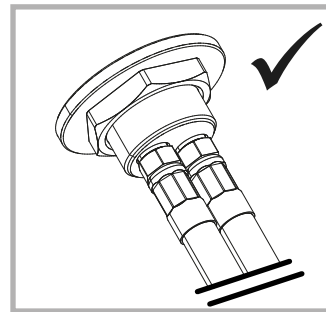
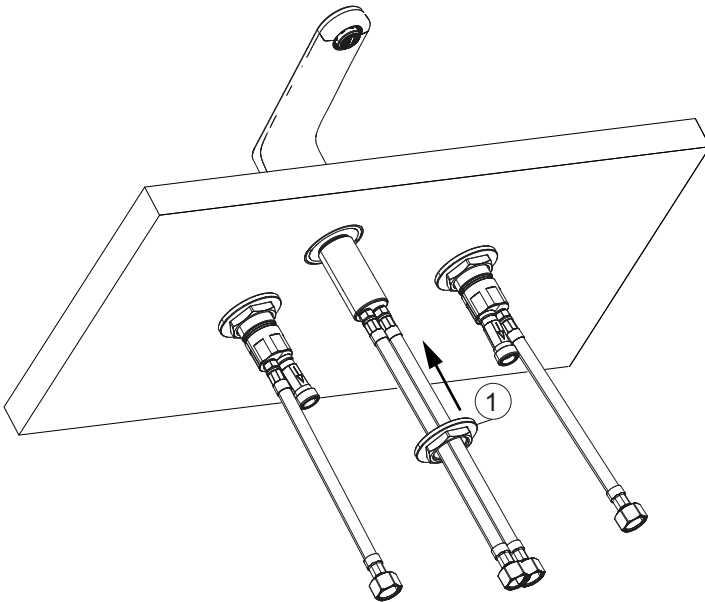
6

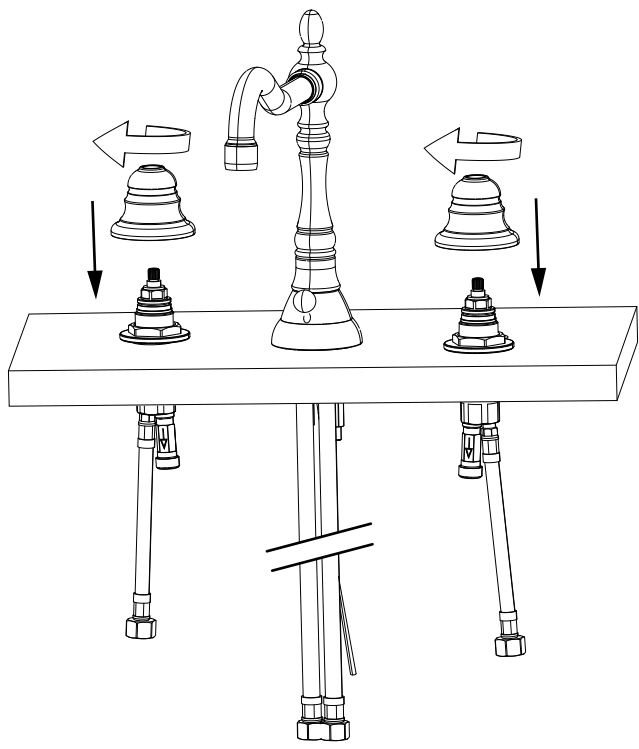
ELIZABETH - ELIZABETH CHIC - OLIVIA -  
EPOQUE - HEREND - HEREND CHIC -  
MAXIMA





## TEXTURE COLLECTION - SO





ELIZABETH



OLIVIA



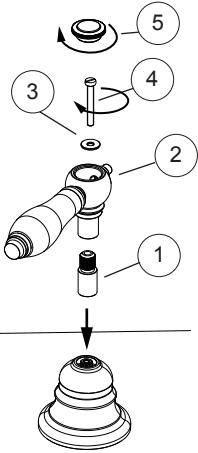
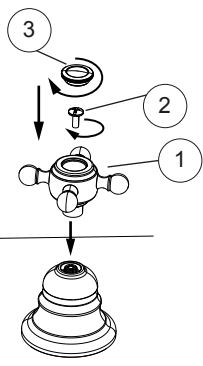
EPOQUE



HEREND

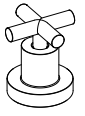
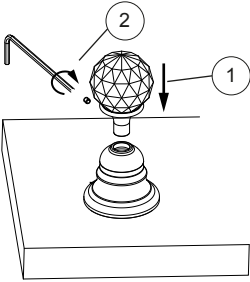


HEREND CHIC

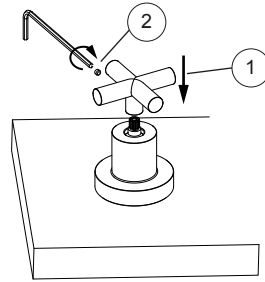




**ELIZABETH  
CHIC**



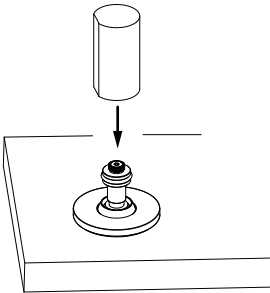
**MAXIMA**



**S4**



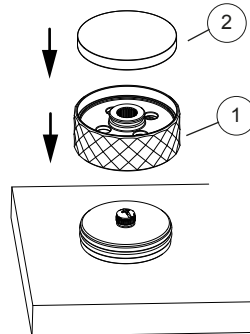
**SO**



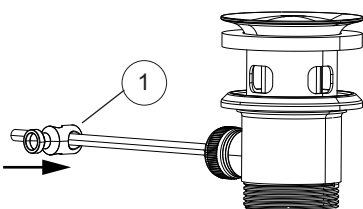
**C2\*\***



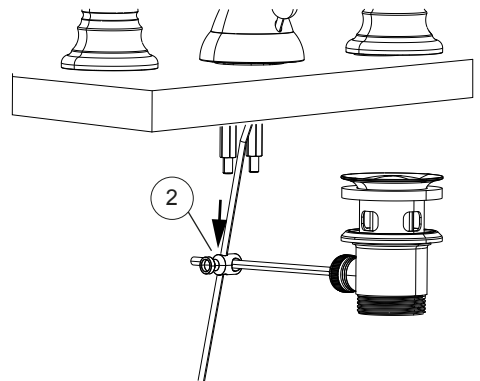
**TEXTURE  
COLLECTION**



**10**



**11**



ELIZABETH - ELIZABETH CHIC - OLIVIA -  
EPOQUE - HEREND - HEREND CHIC -  
MAXIMA

