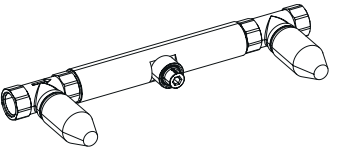
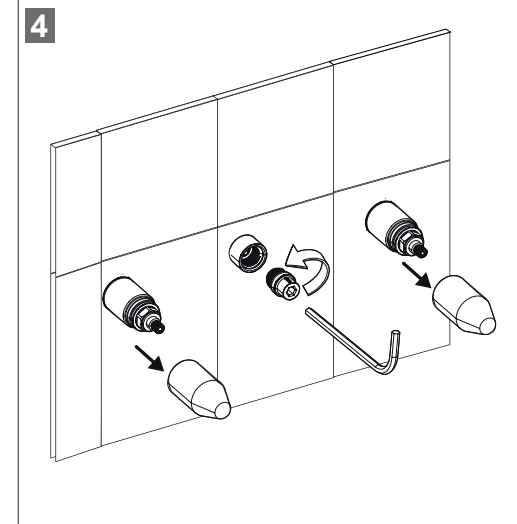
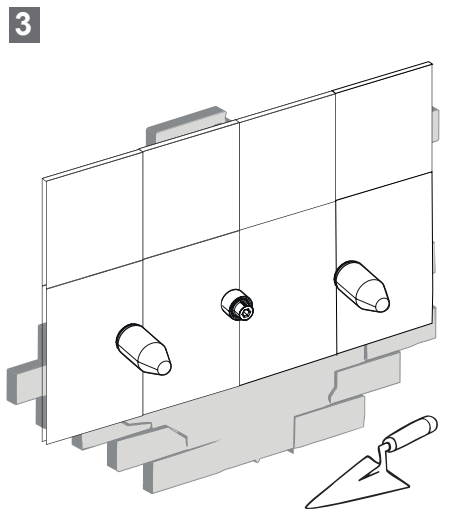
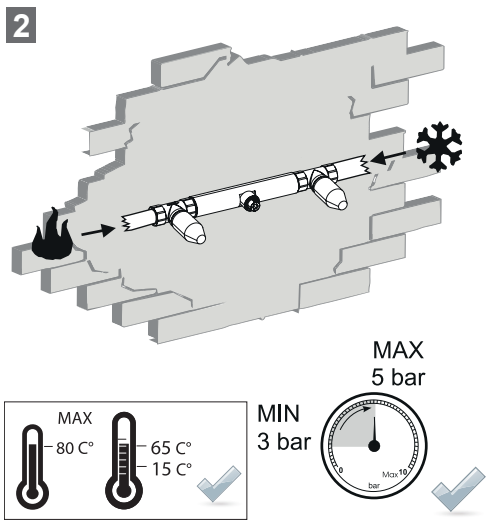
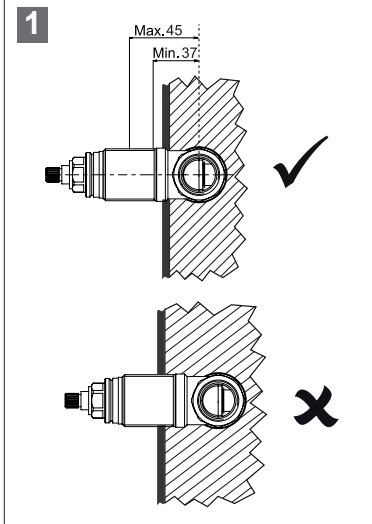


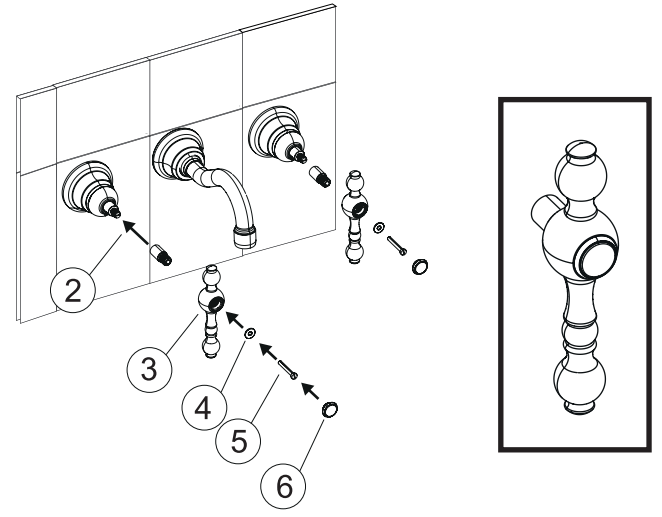
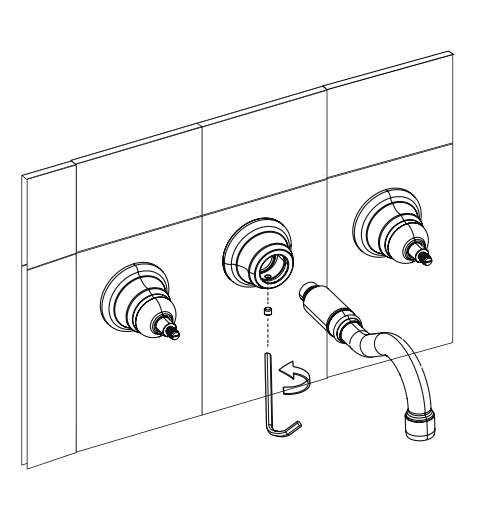
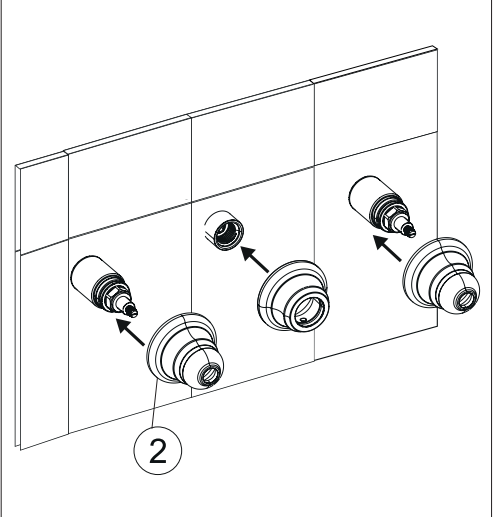
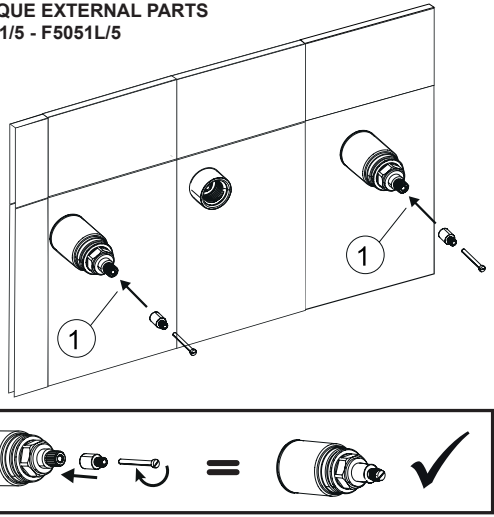
F9900LM



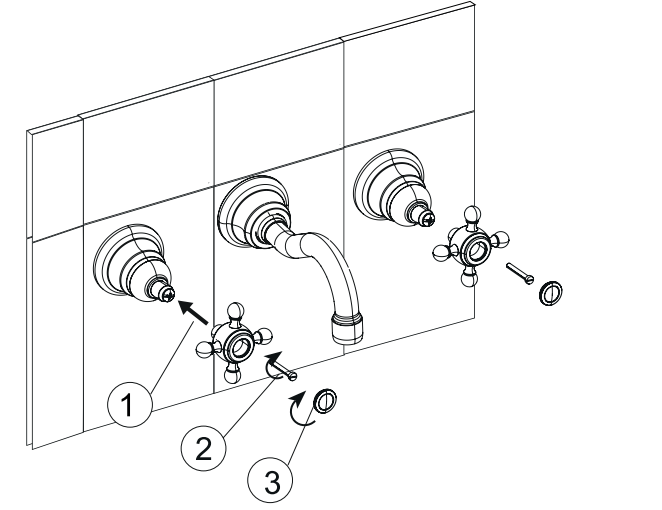
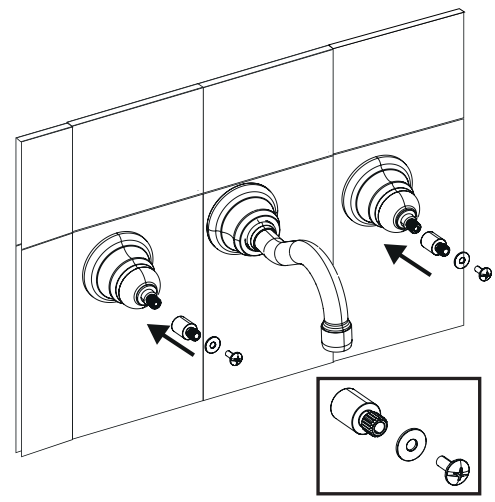
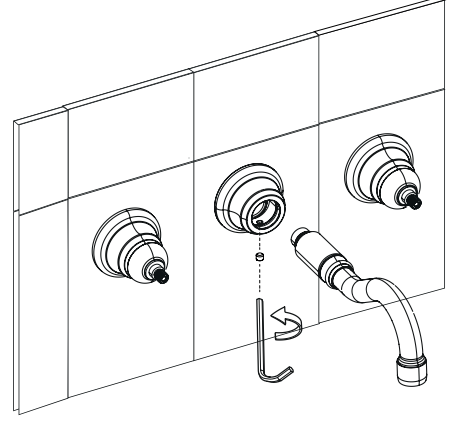
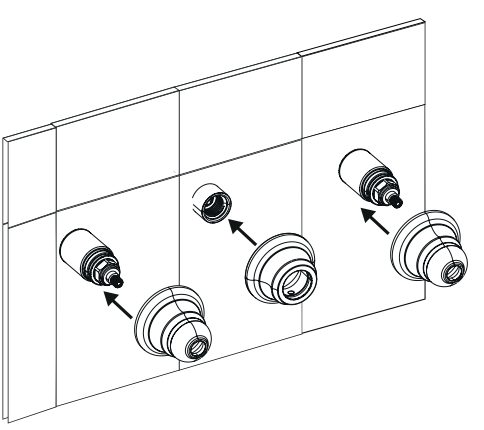
F2230 - F2240

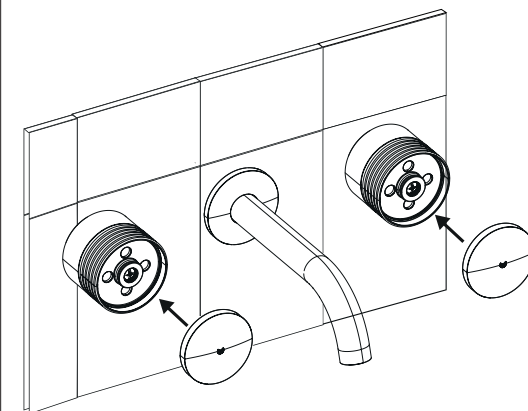
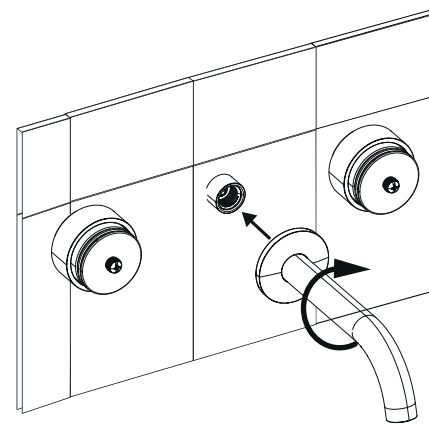
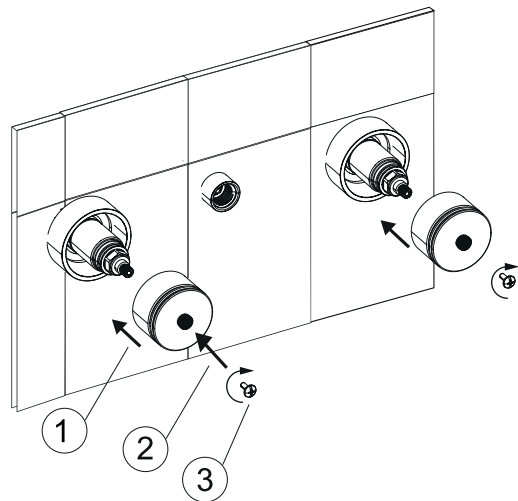
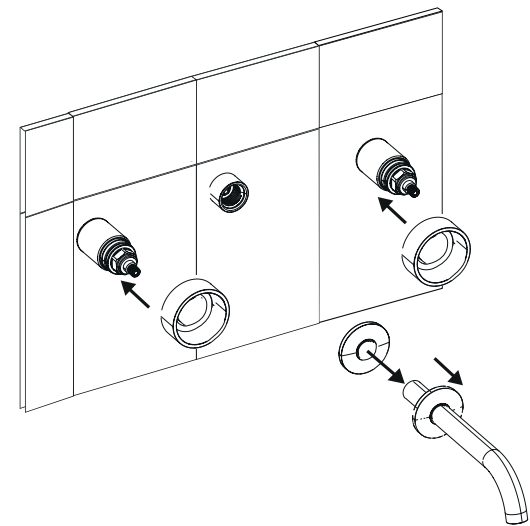


EPOQUE EXTERNAL PARTS
F5051/5 - F5051L/5



ELIZABETH / OLIVIA / MAXIMA EXTERNAL PARTS
F5081/5 - F5081L/5 / F5001/5 - F5001L/5 - F5321/5 - F5321L/5





fima | CARLO FRATTINI®
rubinetterie

made in italy
F9900LM

Fima Carlo Frattini S.p.A.
28010 - Briga Novarese (NO)
Via Borgomanero, 105
Tel. +39.0322.9549 r.a.
Fax +39.0322.956149
info@fimacf.com

PER PIÙ INFORMAZIONI SU PULIZIA E
GARANZIA VISITA:

www.fimacf.com/warranty.pdf

FOR MORE INFO ABOUT CLEANING AND
WARRANTY:

www.fimacf.com/warranty.pdf