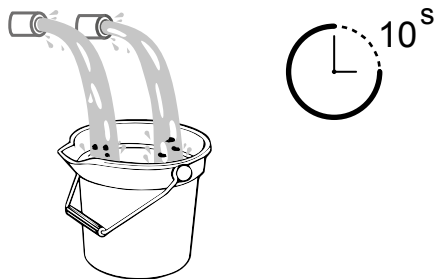
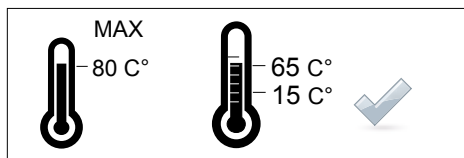
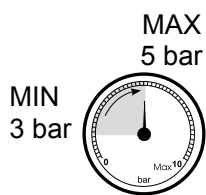
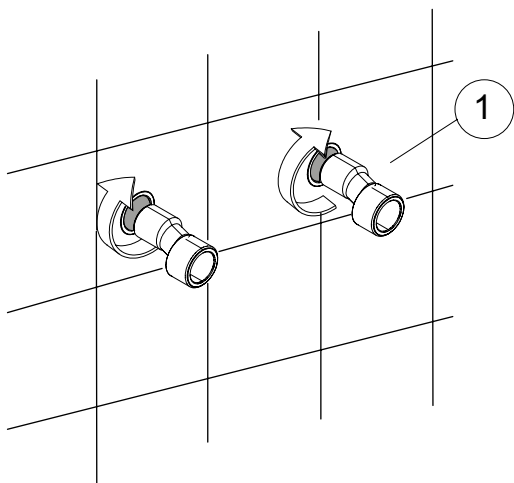


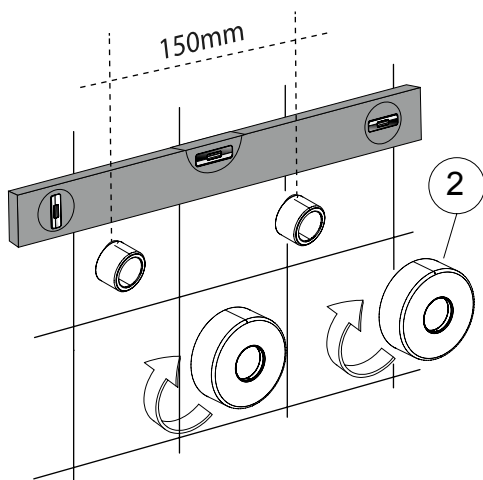
1



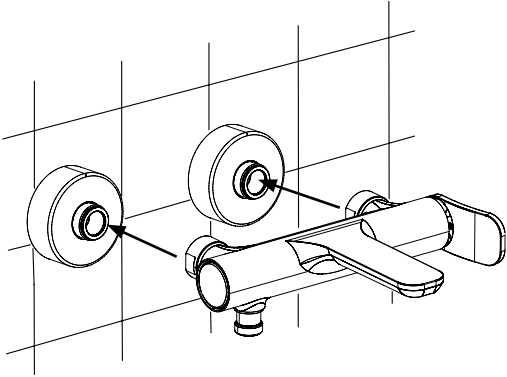
2



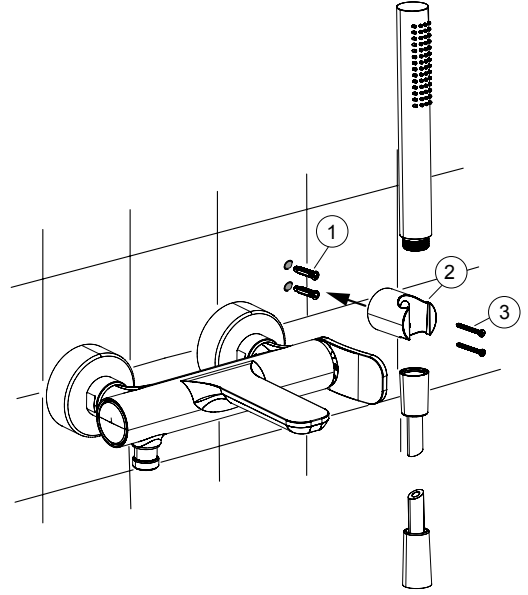
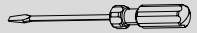
3



4

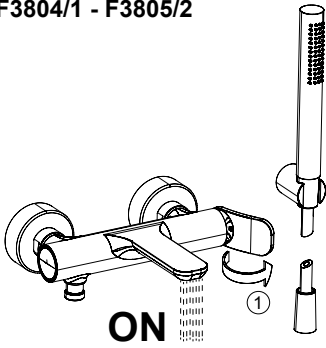


5

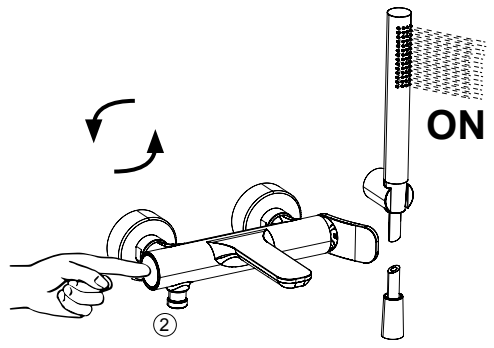


F3804 - F3804/1 - F3805/2

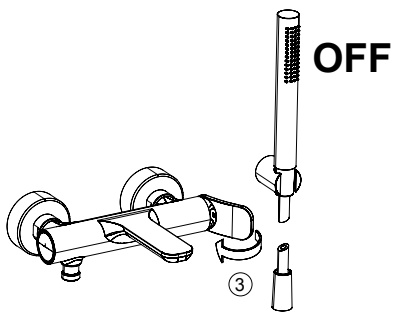
A



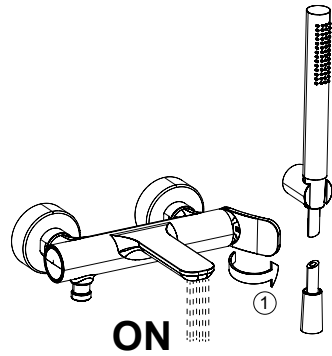
B



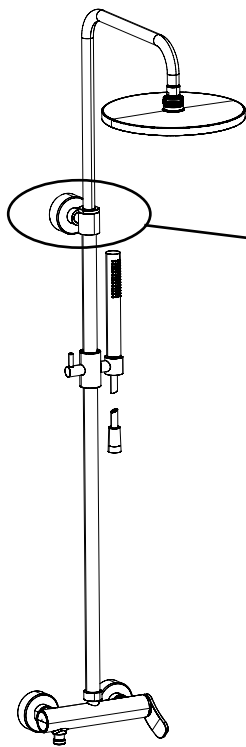
C



D



F3805/2



3x



a

3x



b



c

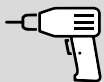
d



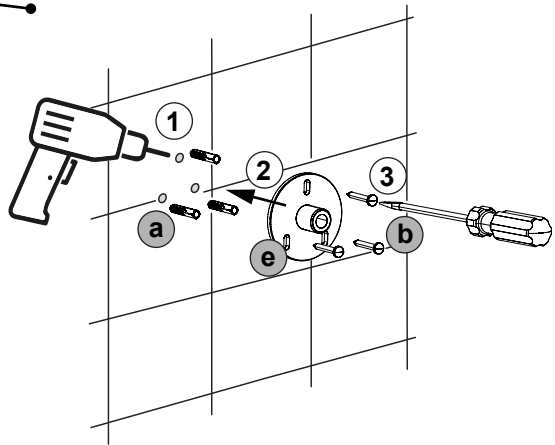
d



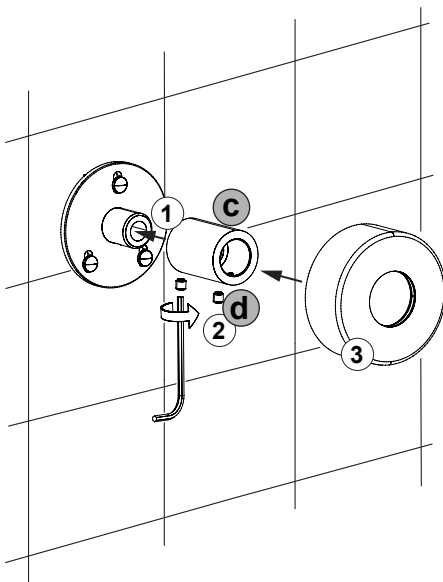
e



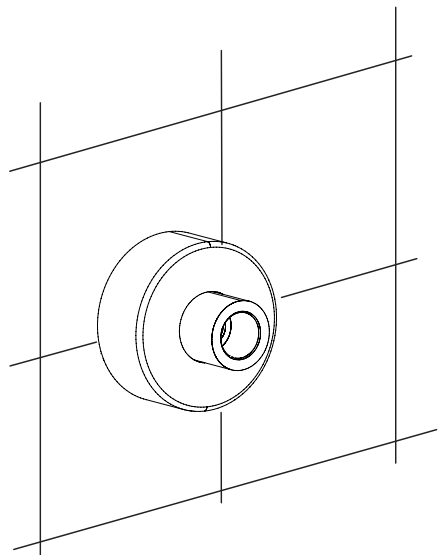
1



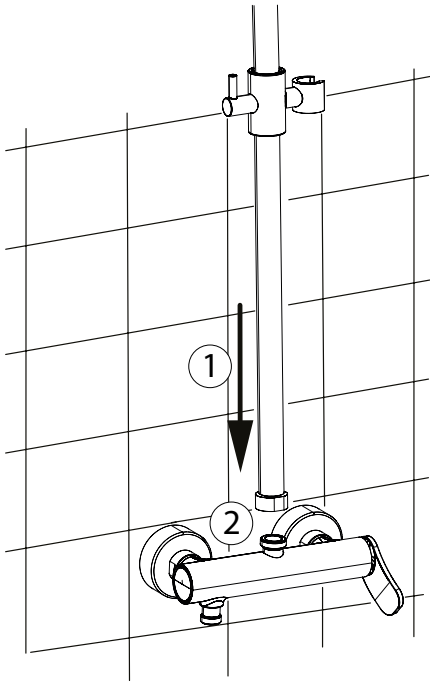
2



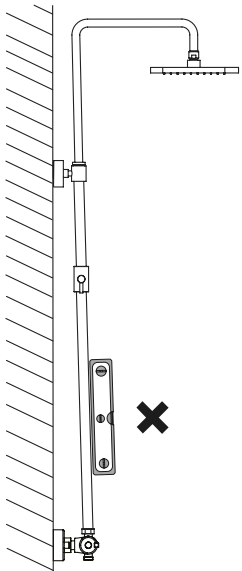
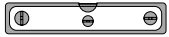
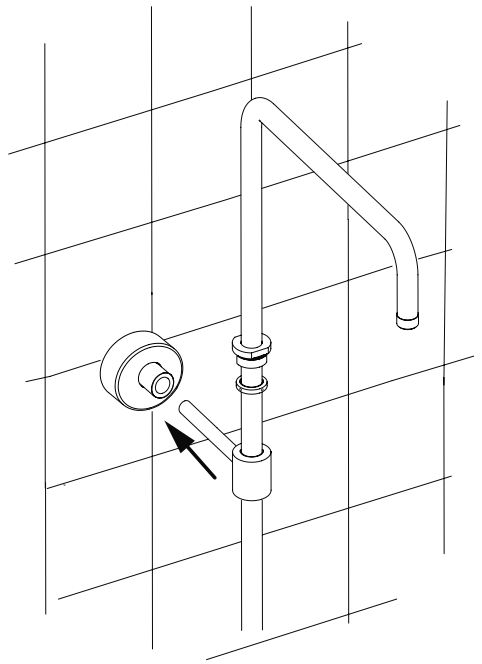
3



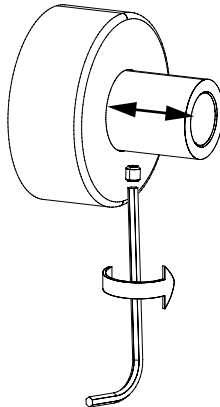
4



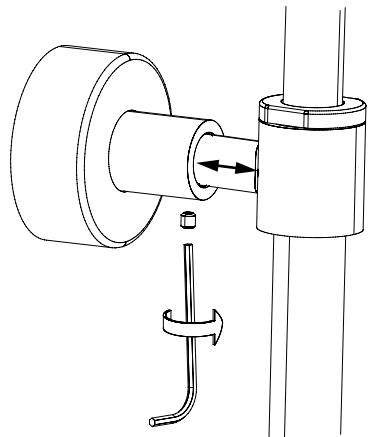
5

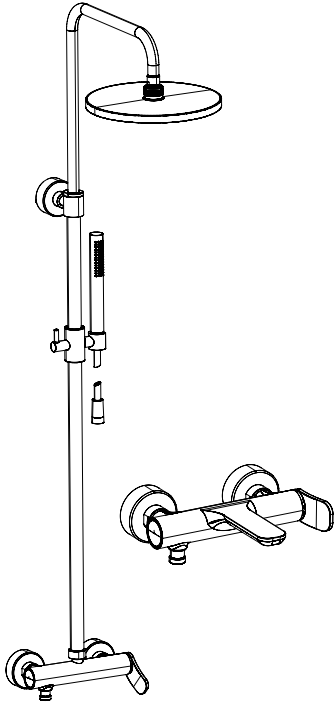
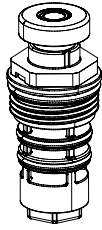


A



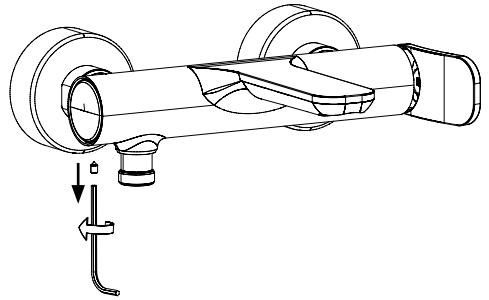
B





1

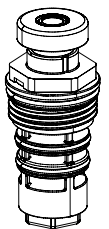
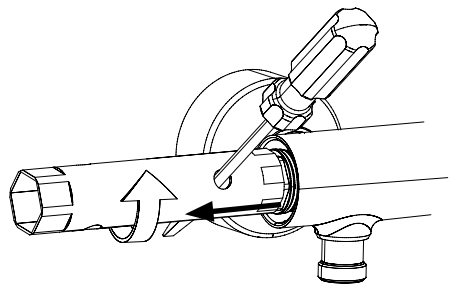
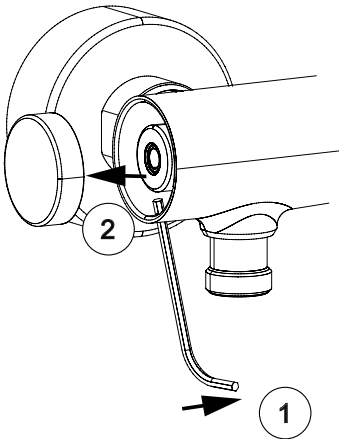
2 mm



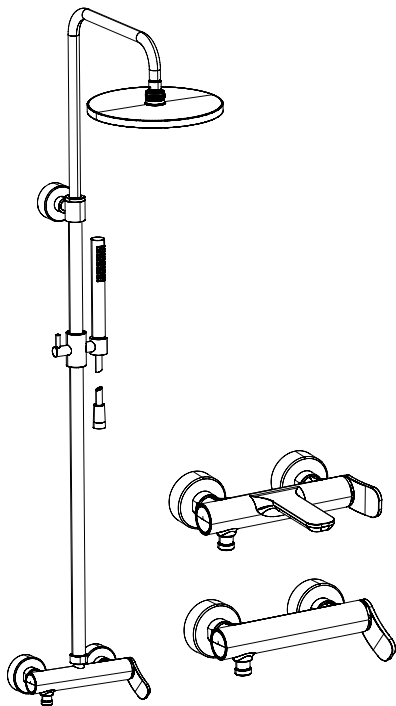
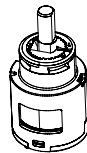
2

3

24mm

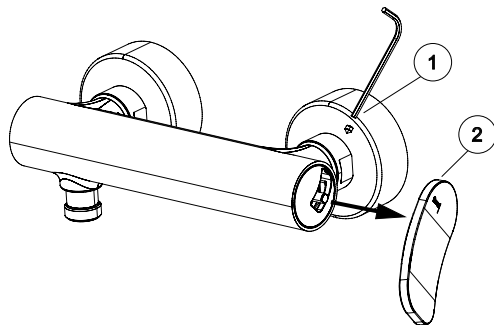


F3804 - F3804/1 - F3805/2
F3805 - F3805/1

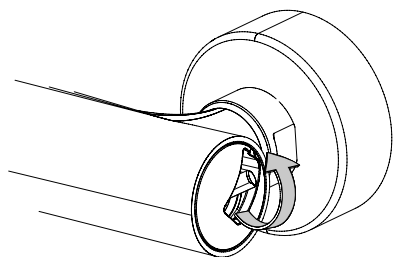


1

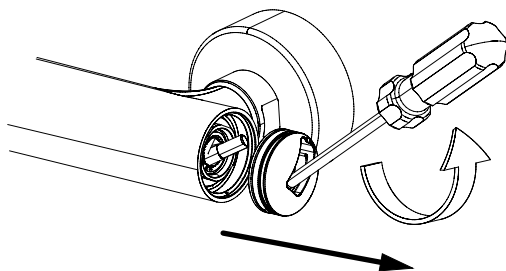
• 2 mm

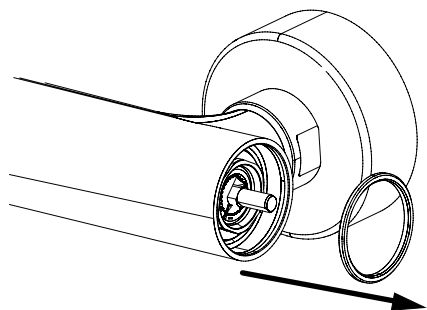
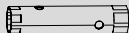
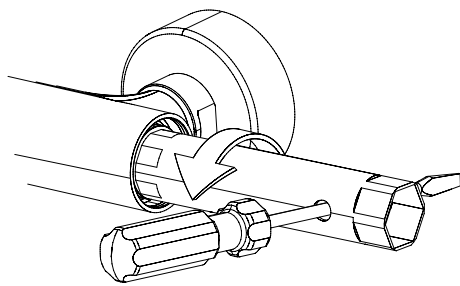
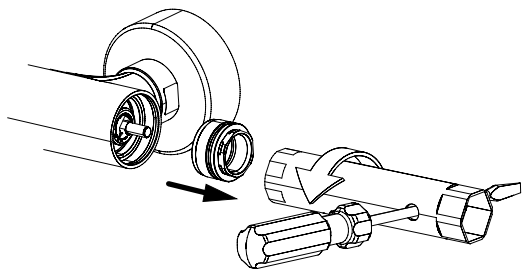


2



3



4**5** 24mm**6****7**