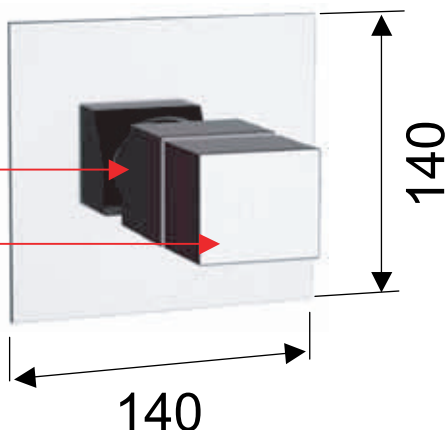


2 MANIGLIE COASSIALI
2 COAXIAL HANDLES
ON-OFF +T°

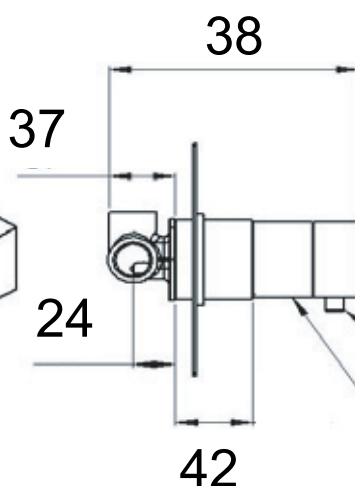
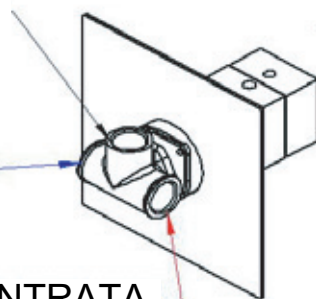
TERMOSTATICO
THERMOSTATIC



USCITA ACQUA MISCELATA
MIXED WATER OUTLET

ENTRATA
ACQUA FREDDA
COLD WATER
INLET

ENTRATA
ACQUA CALDA
HOT WATER
INLET



CARTUCCIA
COASSIALE
COAXIAL
CARTRIDGE

MANOPOLA
TERMO
THERMO
HANDLE
STOP 38°C

MANOPOLA FLUSSO
FLOW HADDLE

MATERIALI / MATERIALS

OTTONE CROMATO / CHROME PLATED BRASS

CROMATURA / CHROME PLATING

UNI EN 248