

REMER

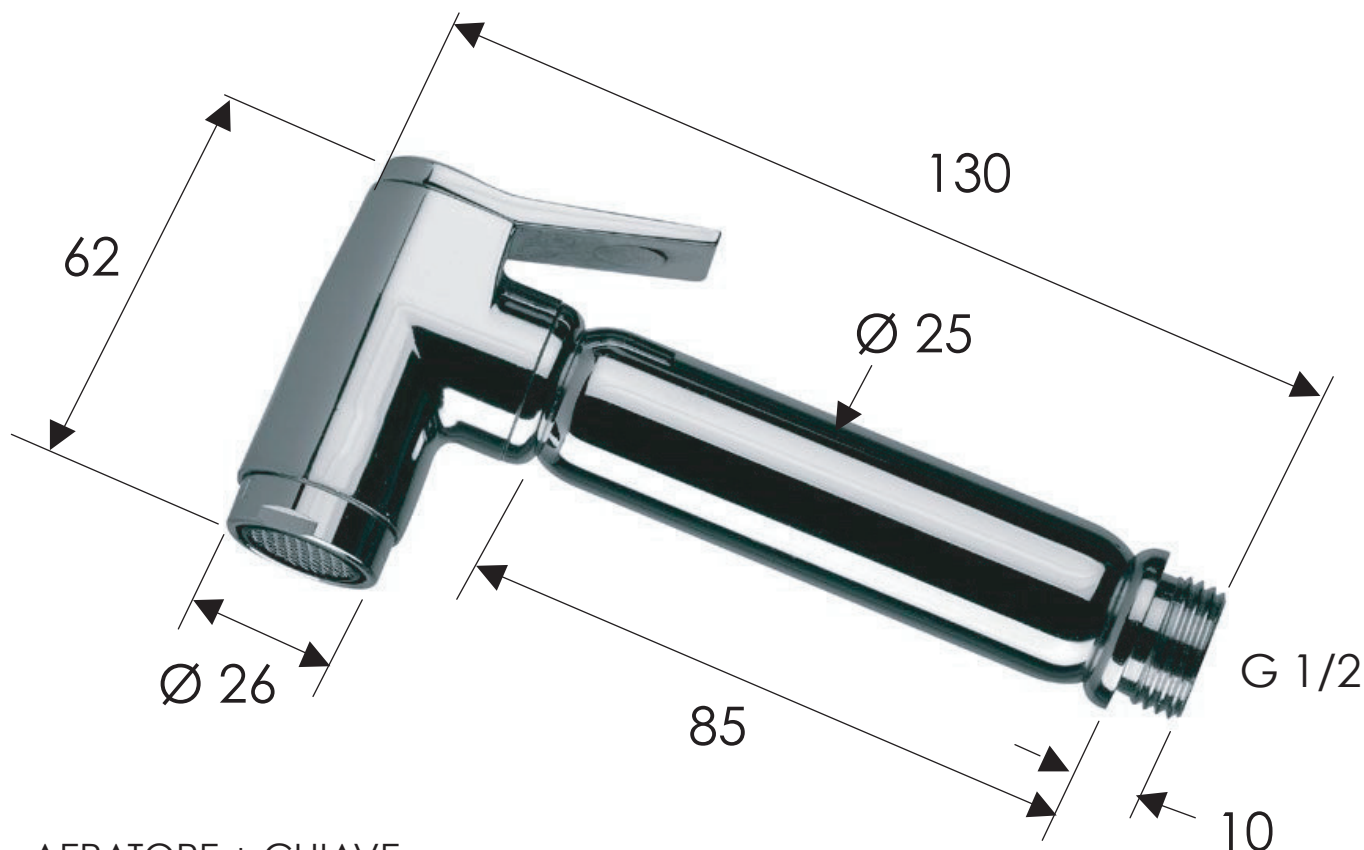
RUBINETTERIE

SCHEDA TECNICA

TECHNICAL FEATURES

ART. COD.

332OLA



AERATORE + CHIAVE
AERATOR + KEY



OMOLOGAZIONI
COMPLYING WITH
NF, WRAS, NSF, LGA, KIWA

MATERIALI / MATERIALS

OTTONE CROMATO / CHROME PLATED BRASS
CW614N / CW617N UNI EN 12165

CROMATURA / CHROME PLATING

UNI EN 248

Via Leonardo da Vinci 83 - 20062 Cassano d'Adda (MI) Italy - Tel. +39-0363 364211

info@remer.eu www.remer.eu