

**TECEdrainprofile drain “vertical”, DN 50 drain**

Article number: 673003

DU 1: 1 pc.



---

**Description:**

Drain for TECEdrainprofile shower profile, for installing in screed, for vertical connection to a DN 50 drain line. With factory fitted and clickable Seal System sealing sleeve, to create a DIN 18534 compliant connection of the composite seal.

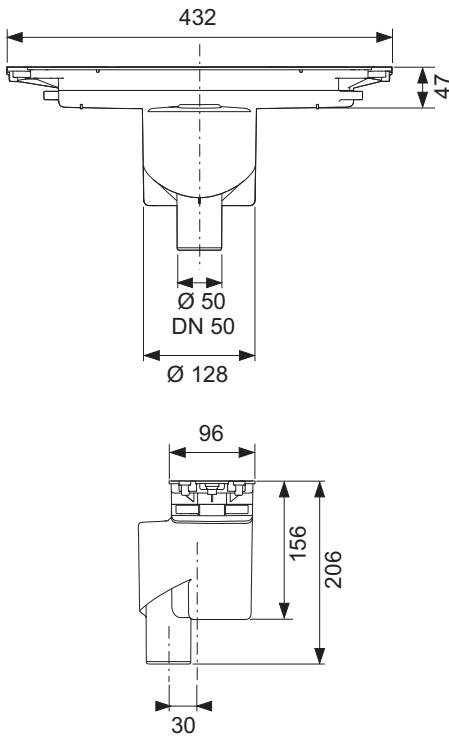
- Min. Installation height 47 mm (bottom edge of drain to upper edge of screed)
- Drainage capacity  $\geq 0.8/\geq 1.2$  l/s (to EN 1253 with 10/20 mm build-up above the profile lid)
- Sealing water height 50 mm
- Removable odour trap
- Integrated screed anchor
- Factory fitted, clickable and flexible sealing sleeve with Seal System
- Fits prefabricated sound insulation strips
- Protective construction cover
- Sliding/mobile seal for connection with TECEdrainprofile shower profile and to compensate for structural tolerances

---

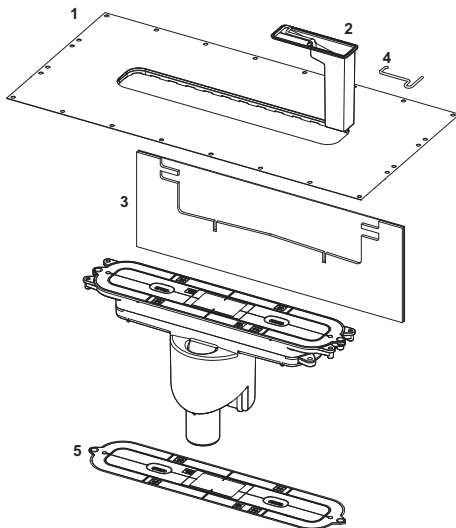
**Sales data:**

Product name: TECEdrainprofile “vertical” drain, DN 50 outlet, 1.2 l/s  
Commodity group: 608  
Product group: 3006080020

Dimensional drawings:



Spare parts:



- |   |        |   |
|---|--------|---|
| 1 | 675005 | click-together Seal System sealing sleeve                           |
| 2 | 675018 | Odour trap for "vertical" drain                                     |
| 3 | 675004 | Sound insulation strips for "standard", "flat" and "vertical" drain |
| 4 | 675009 | Removal hook for odour trap   |
| 5 | 675016 | Protective cover for drains, incl. fixing screws                    |