



TECE drain profile shower profile with coloured PVD surface

Article number: 670913

Length: 900 mm

Width: 55 mm

Colour: Polished Red Gold

Matching to: hansgrohe / AXOR

DU 1: 1 pc.

Description:

Shower profile for shower drainage, for installation in tile adhesive above the screed and seal.

The PVD finishes are colour matched to the TECEsquare II metal toilet flush plates and the latest offers from leading manufacturers including those from the hansgrohe / AXOR collections.

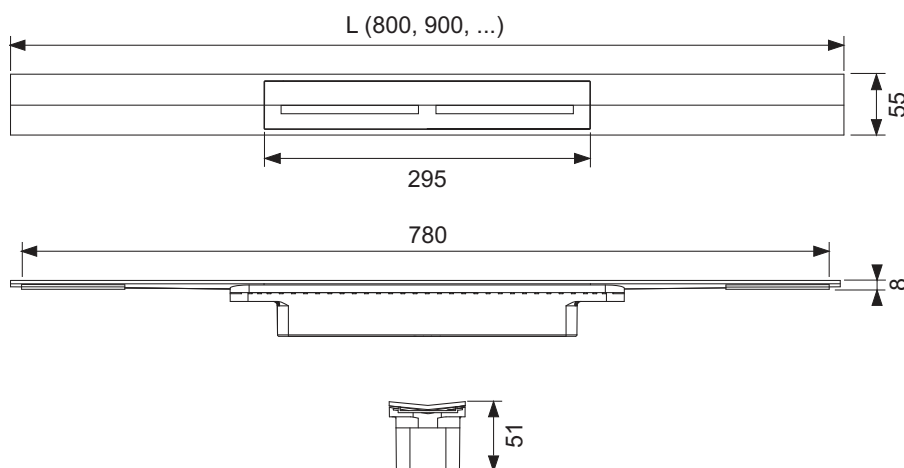
Consisting of:

- Shower profile that can be cut to length with internal incline for improved water drainage and self-cleaning effect
- Shower profile can be shortened to ≥ 500 mm
- Profile lid with "Push Function" for removal by hand, durable to load class K3 - maximum test load 300 kg
- Shower profile and profile lid, made of stainless steel material 1.4301 (304) with coloured PVD coating
- Connection pieces for connection with a TECE drain profile drain
- Grip elements for easy installation and solid connection with the tile adhesive
- For floors from 8-25 mm (incl. adhesive bed)
- For flush to the wall installation for wall coverings from 10 mm (incl. adhesive bed)
- For installation at the wall (flush to the wall) or at any specific distance from the wall

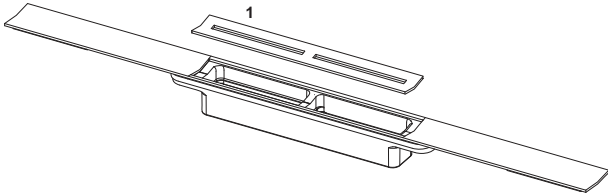
Sales data:

Product name: TECE drain profile shower profile, 900 mm, stainless steel, "Polished Red Gold"
 Commodity group: 608
 Product group: 3006080011

Dimensional drawings:



Spare parts:



- 1 675015 Profile lid stainless steel, "Polished Red Gold"