

ISTRUZIONI DI MONTAGGIO PARTI ESTETICHE
TERMOSTATICO MODULAR
INSTRUCTIONS AESTHETICAL PARTS
THERMOSTATIC MODULAR

PRESSURE RANGE MIN/MAX 0,5/5 BAR
(IN CASE OF WATER PRESSURE HIGHTER THAN 5 BAR WE RACOMMEND
INSTALLING PRESSURE REDUCERS).
RECOMMENDED PRESSURE 3 BAR.

OPERATION:
EITHER WITH GAS OR ELECTRIC ACCUMULATION BOILERS.
CENTRALISED SYSTEMS.

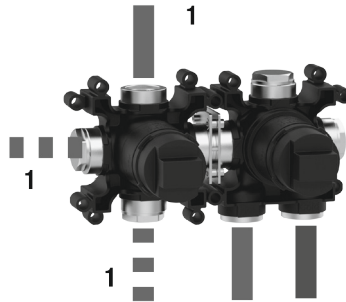
SAFETY LOCK AT:	38° C
MIN. WORKING TEMPERATURE:	3° C
MIN. RECOMMENDED:	15° C
MAX. WORKING TEMPERATURE:	70° C
MAX. RECOMMENDED:	65° C
RECOMMENDED THERMAL DIFFERENTIAL	50° C

THERMAL DISINFECTION IS ALLOWED.

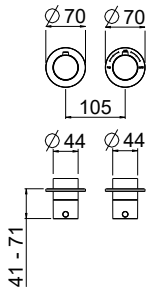
SAFETY SYSTEM WITH FLOW STOP IN CASE OF LACK OF ONE OF THE TWO
WATERS.

WARNING: CONTACT THE PLUMBER FOR THE CHOICE OF THE BEST WATER
HEATING DEVICE.

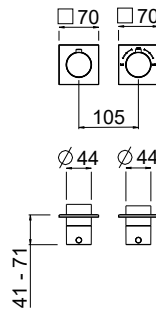
AESTHETICAL PARTS - CONCEALED MODULE 1 WAY



E180131

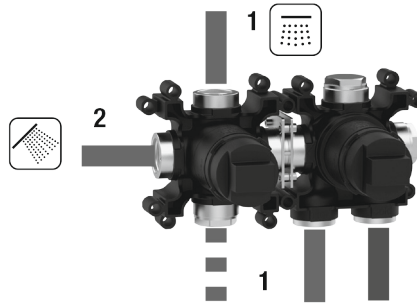


E180181

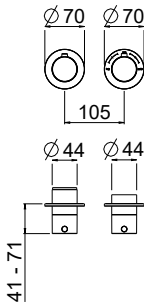


E176900			
PRESSURE	FLOW RATE L/min.		
BAR	EXIT 1		
0.5	10.8		
1	15.4		
2	22		
3	27		
4	31.2		
5	34.8		

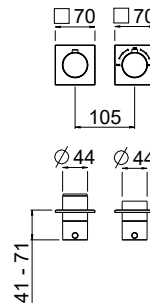
AESTHETICAL PARTS - CONCEALED MODULE 2 WAY



E180132

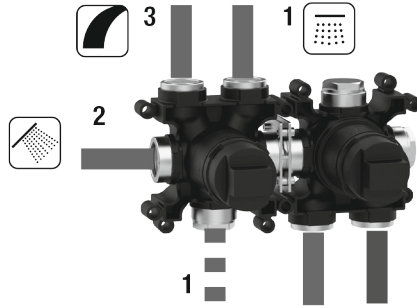
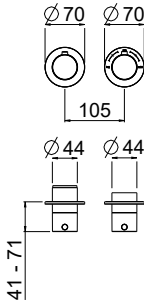
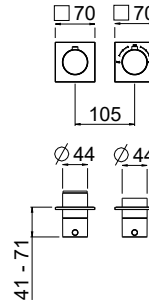


E180182



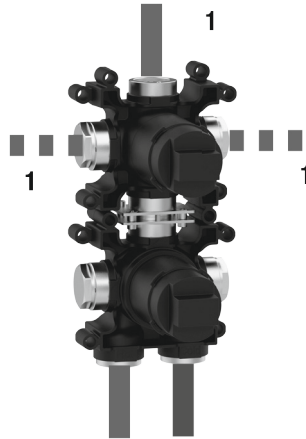
E176901			
PRESSURE	FLOW RATE L/min.		
BAR	EXIT 1	EXIT 2	
0.5	10.2	10	
1	14.4	14.2	
2	20.6	20.3	
3	25.2	24.9	
4	29.1	28.7	
5	32.5	31.9	

AESTHETICAL PARTS - CONCEALED MODULE 3 WAY

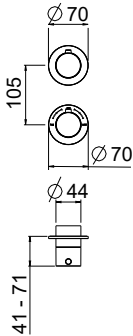
**E180132****E180182**

E176902			
PRESSURE	FLOW RATE L/min.		
BAR	Exit 1	Exit 2	Exit 3
0.5	10	10	9.7
1	13.6	13.7	13.4
2	19.2	19.5	19
3	23.4	23.8	23.3
4	27	27.5	26.8
5	30	30.5	29.8

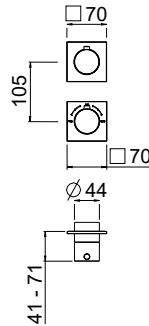
AESTHETICAL PARTS - CONCEALED MODULE 1 WAY



E180131

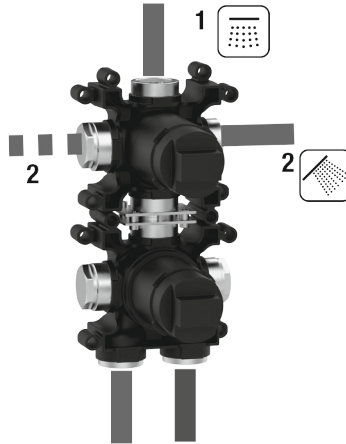


E180181

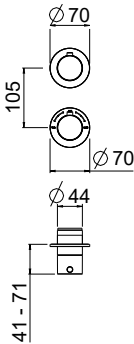


E176905			
PRESSURE	FLOW RATE L/min.		
BAR	EXIT 1		
0.5	10.8		
1	15.4		
2	22		
3	27		
4	31.2		
5	34.8		

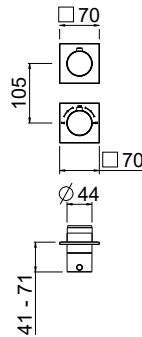
AESTHETICAL PARTS - CONCEALED MODULE 2 WAY



E180132

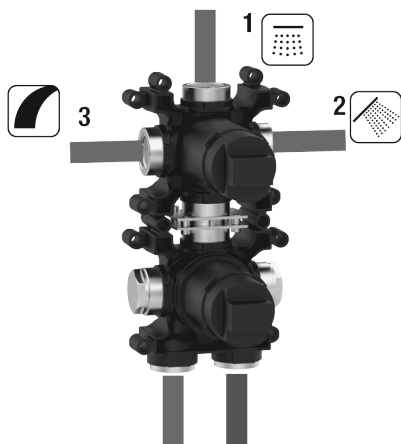
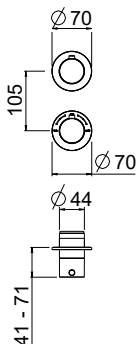
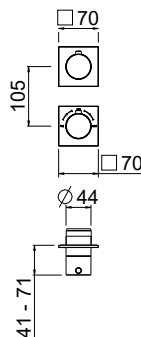


E180182



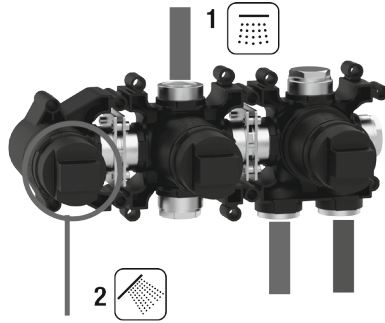
E176906			
PRESSURE	FLOW RATE L/min.		
BAR	EXIT 1	EXIT 2	
0.5	10.2	10	
1	14.4	14.2	
2	20.6	20.3	
3	25.2	24.9	
4	29.1	28.7	
5	32.5	31.9	

AESTHETICAL PARTS - CONCEALED MODULE 3 WAY

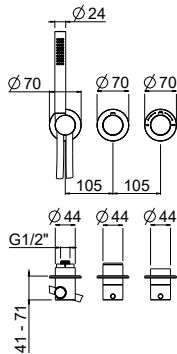
**E180132****E180182****E176907**

PRESSURE	FLOW RATE L/min.		
	BAR	EXIT 1	EXIT 2
0.5	10	10	9.7
1	13.6	13.7	13.4
2	19.2	19.5	19
3	23.4	23.8	23.3
4	27	27.5	26.8
5	30	30.5	29.8

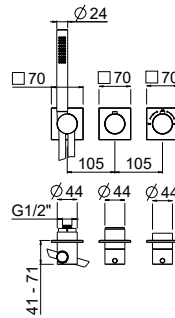
AESTHETICAL PARTS - CONCEALED MODULE 2 WAY



E180133



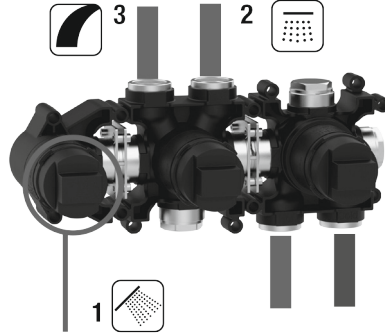
E180183



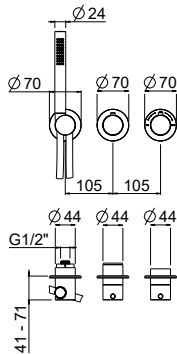
E176903

PRESSURE	FLOW RATE L/min.		
	EXIT 1	EXIT 2 HAND SHOWER	
0.5	10.2	4.2	
1	14.4	6	
2	20.6	8.5	
3	25.2	10.7	
4	29.1	12.3	
5	32.5	13.8	

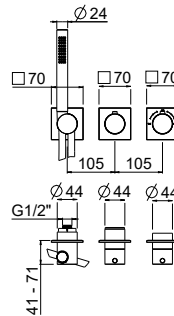
AESTHETICAL PARTS - CONCEALED MODULE 3 WAY



E180133



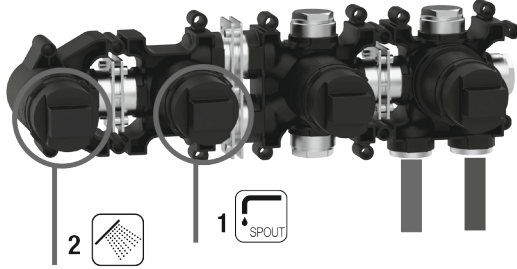
E180183



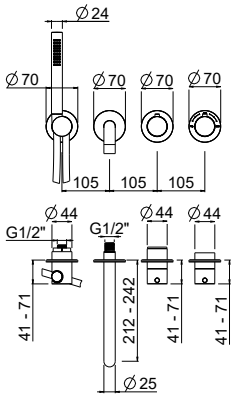
E176904

PRESSURE	FLOW RATE L/min.		
	EXIT 1 HAND SHOWER	EXIT 2	EXIT 3
0.5	4.1	10	9.7
1	6	13.6	13.4
2	8.5	19.2	19
3	10.6	23.4	23.3
4	12.3	27	26.8
5	13.8	30	29.8

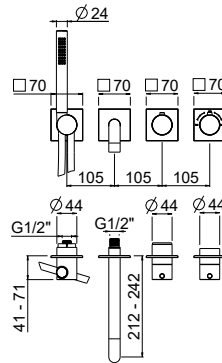
AESTHETICAL PARTS - CONCEALED BATHTUBE MODULE 2 WAY



E180135



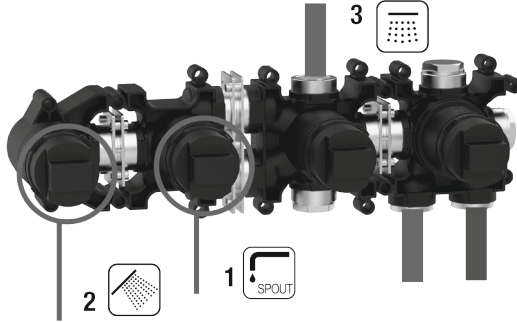
E180185



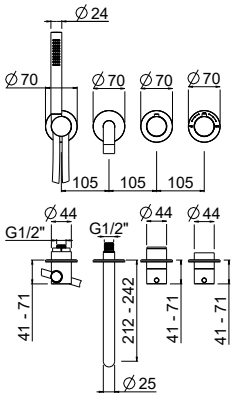
E169003

PRESSURE	FLOW RATE L/min.		
	EXIT 1 BATH SPOUT	EXIT 2 HAND SHOWER	
0.5	8	4.1	
1	11.7	6	
2	17	8.5	
3	21	10.6	
4	24	12.3	
5	26.7	13.8	

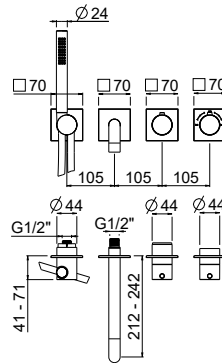
AESTHETICAL PARTS - CONCEALED BATHTUBE MODULE 3 WAY



E180135



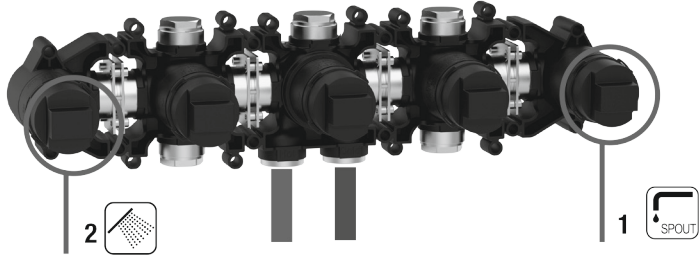
E180185



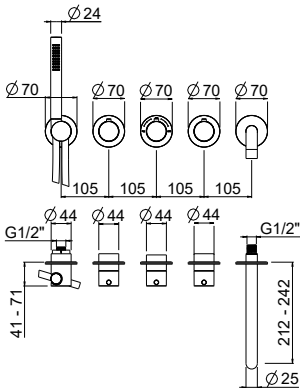
E169002

PRESSURE	FLOW RATE L/min.		
	EXIT 1 BATH SPOUT	EXIT 2 HAND SHOWER	EXIT 3 TOP/BOTTOM OUTLET
0.5	8	4.1	8.5
1	11.7	6	12.4
2	17	8.5	18
3	21	10.6	22
4	24	12.3	25.6
5	26.7	13.8	28.5

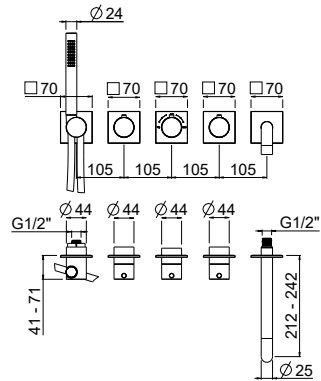
AESTHETICAL PARTS - CONCEALED BATHTUBE MODULE 2 WAY



E180136



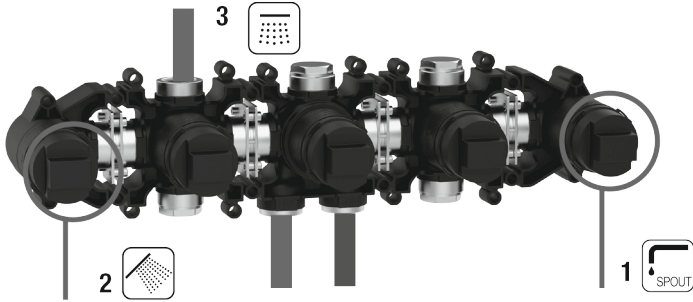
E180186



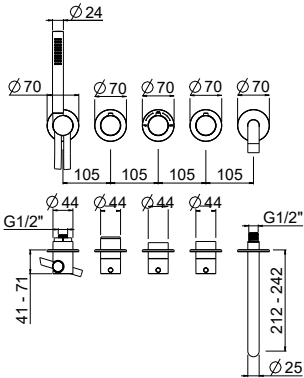
E169000

PRESSURE	FLOW RATE L/min.		
	EXIT 1 BATH SPOUT	EXIT 2 HAND SHOWER	
0.5	10.3	5	
1	15	7.2	
2	21.3	10.2	
3	26	12.4	
4	30	14.4	
5	33.3	16.2	

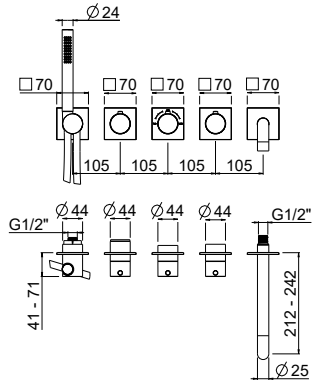
AESTHETICAL PARTS - CONCEALED BATHTUBE MODULE 3 WAY



E180137



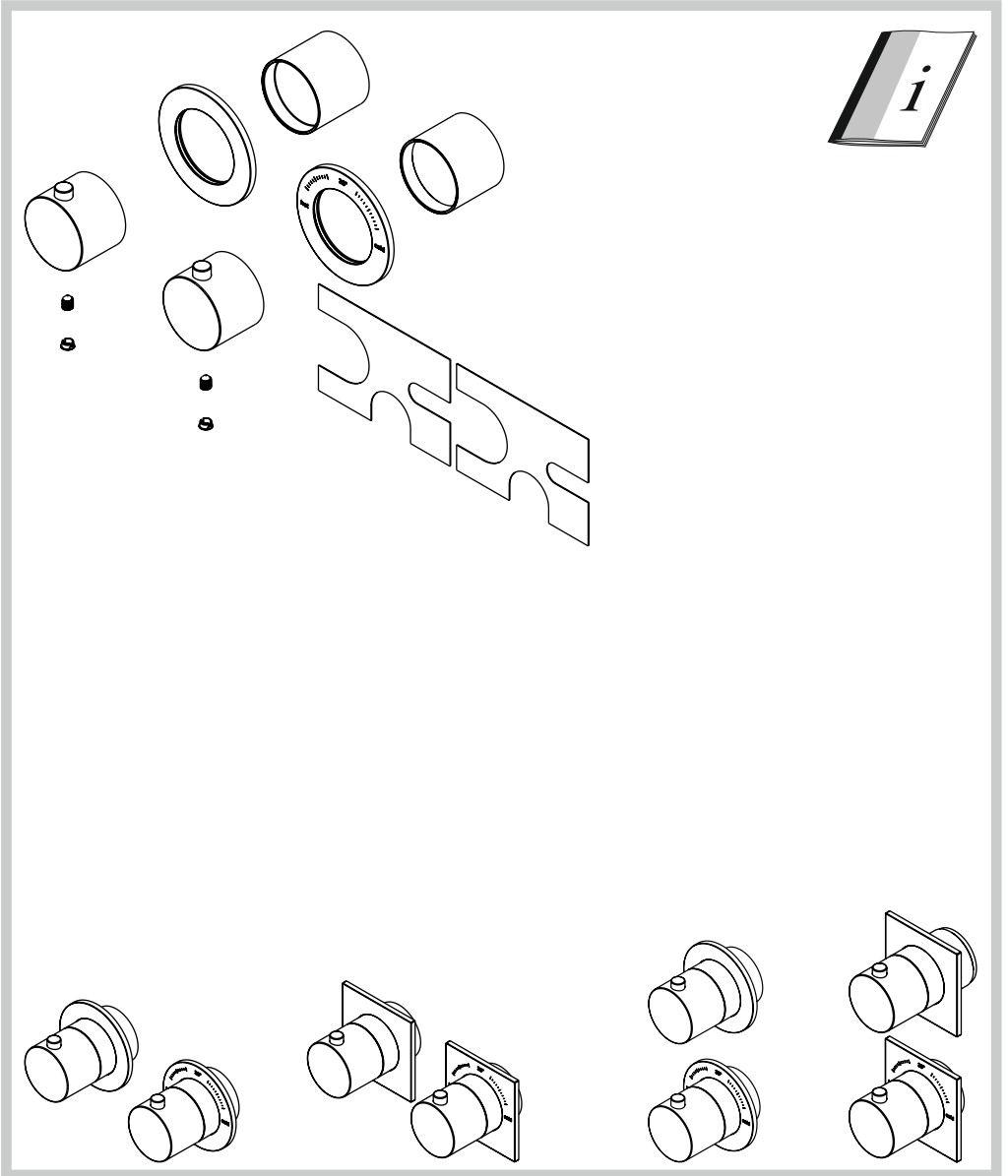
E180187



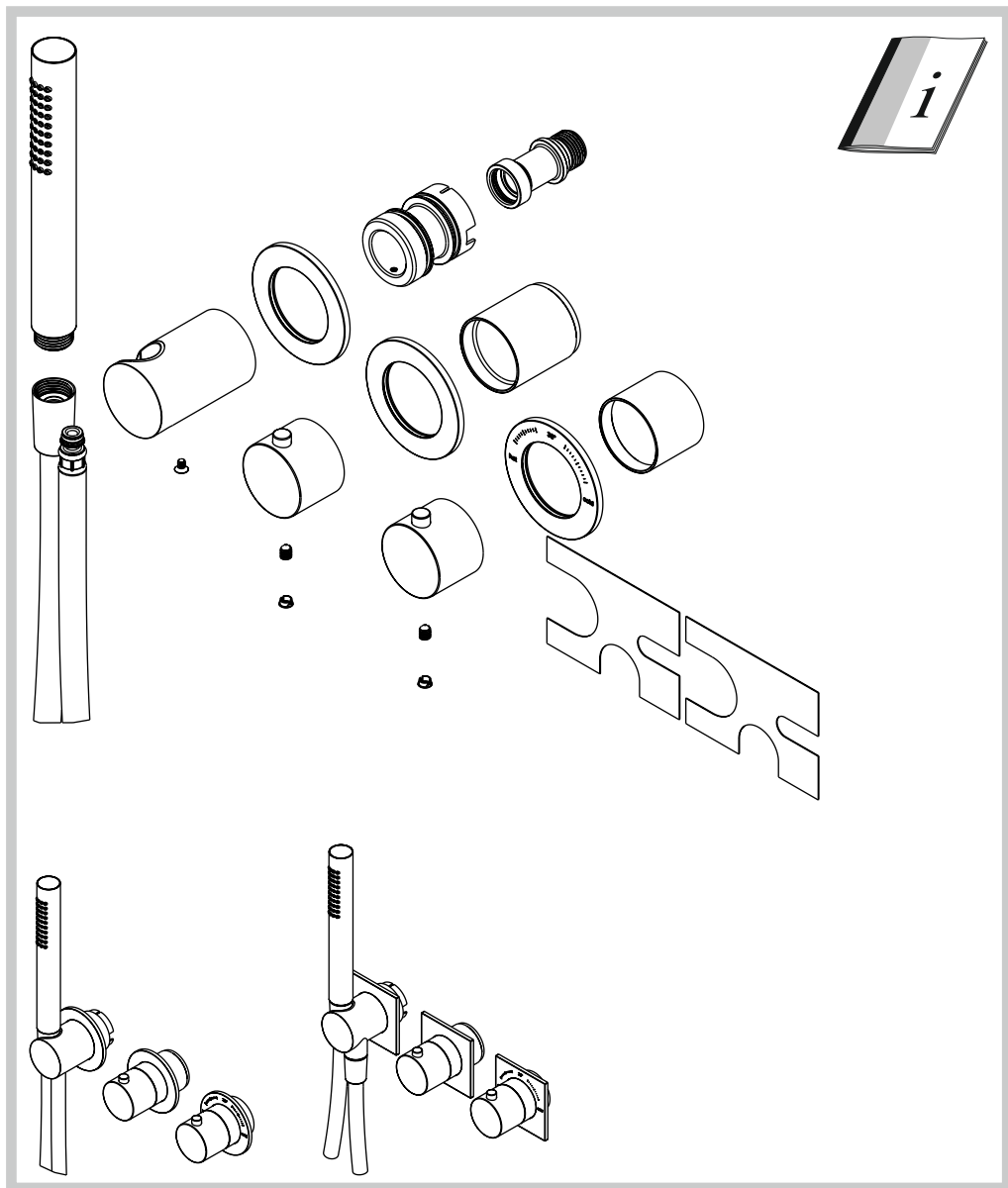
E169001

PRESSURE	FLOW RATE L/min.		
	EXIT 1 BATH SPOUT	EXIT 2 HAND SHOWER	EXIT 3
0.5	10.3	4.2	10.2
1	15	6	14.4
2	21.3	8.5	20.6
3	26	10.7	25.2
4	30	12.3	29.1
5	33.3	13.8	32.5

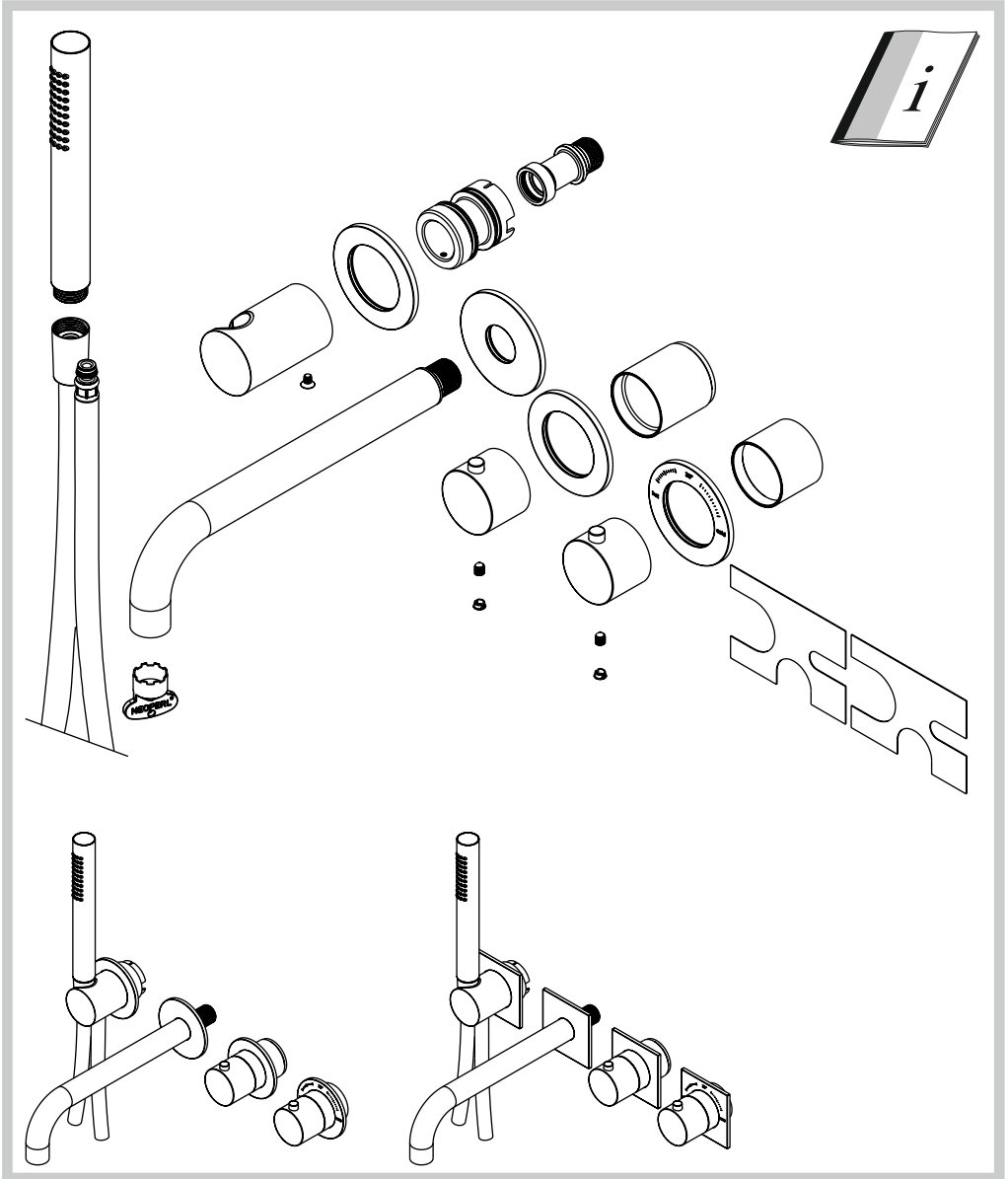
MODULE 1/2/3 WAY CONTROL DIVERTER TRIMSET



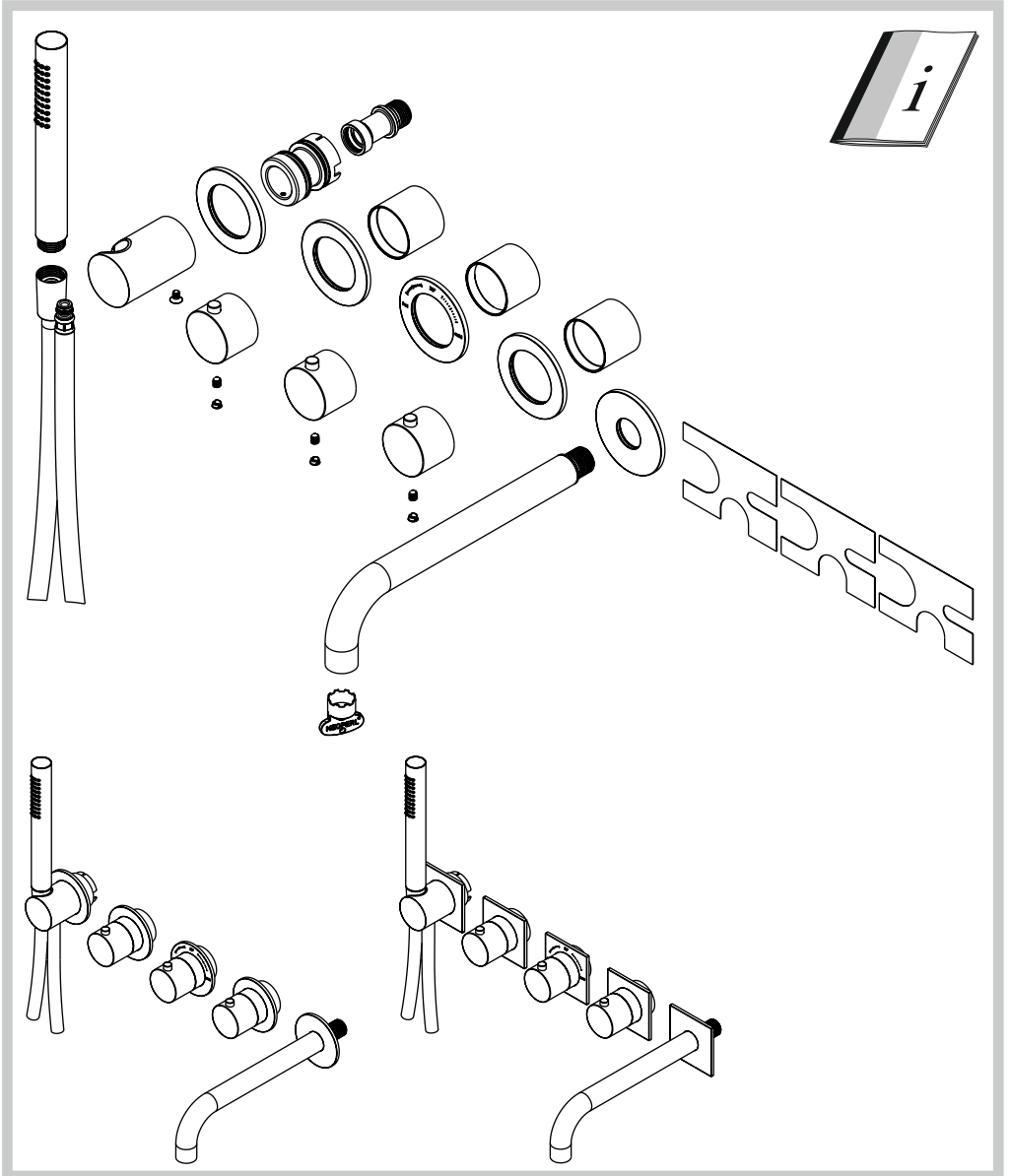
MODULE 2/3 WAY CONTROL TRIMSET WITH HANDSHOWER



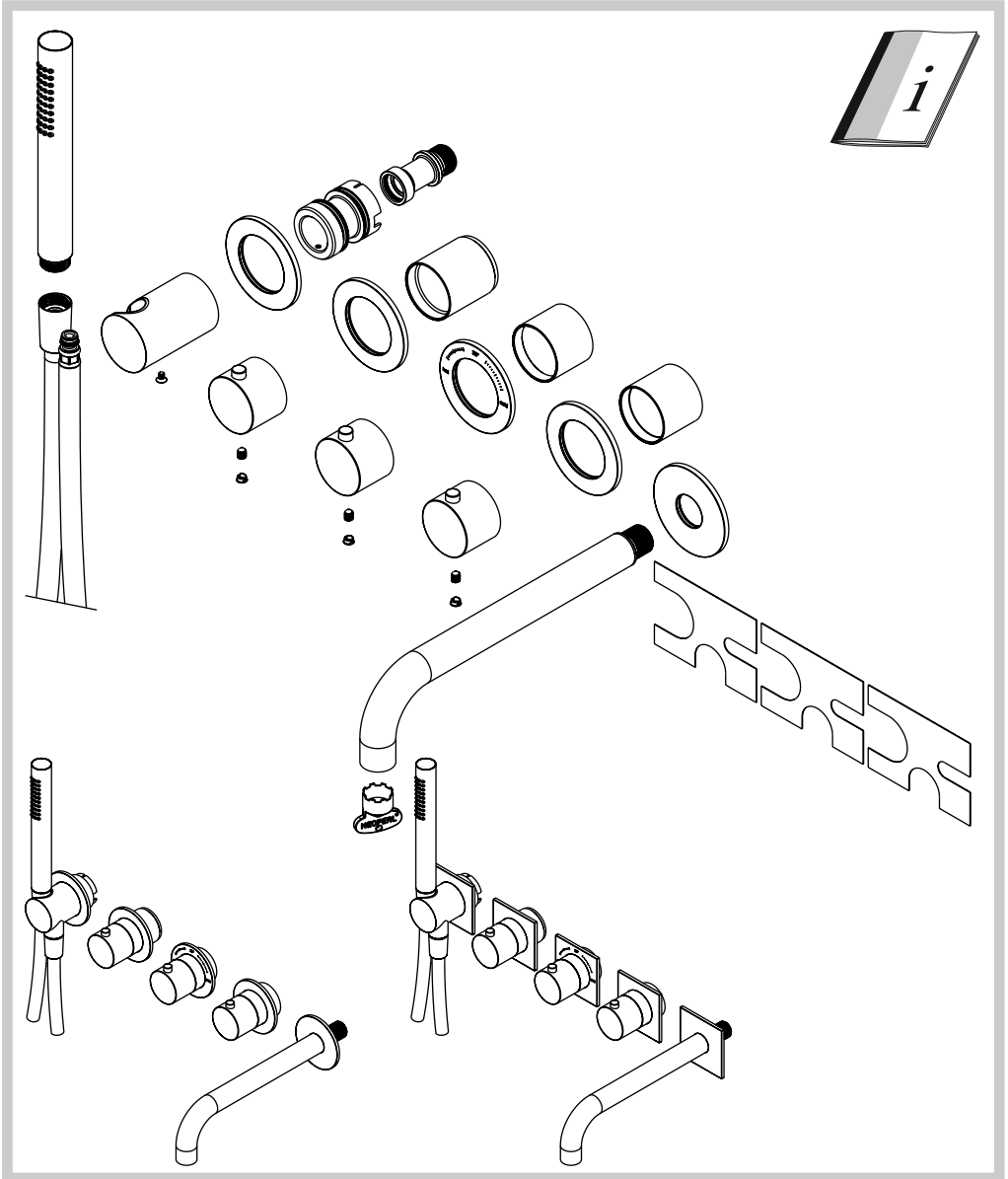
BATHTUBE MODULE 2/3 WAY CONTROL TRIMSET WITH BATHSPOUT AND HANDSHOWER

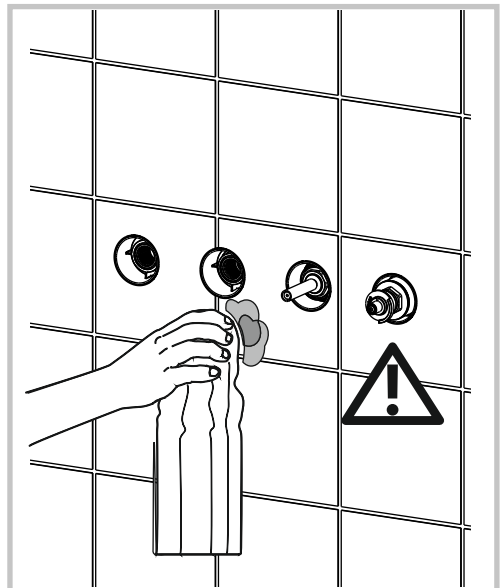
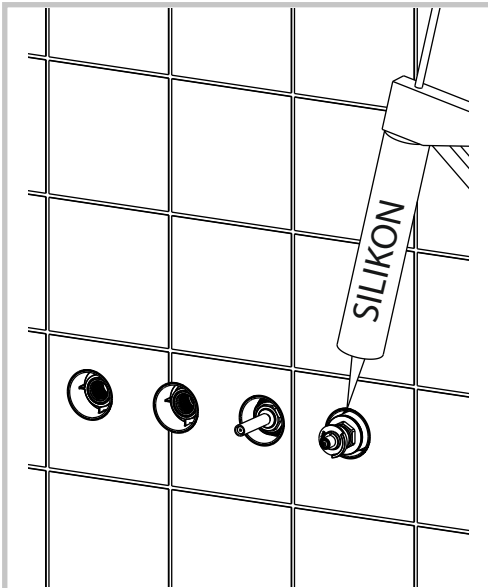
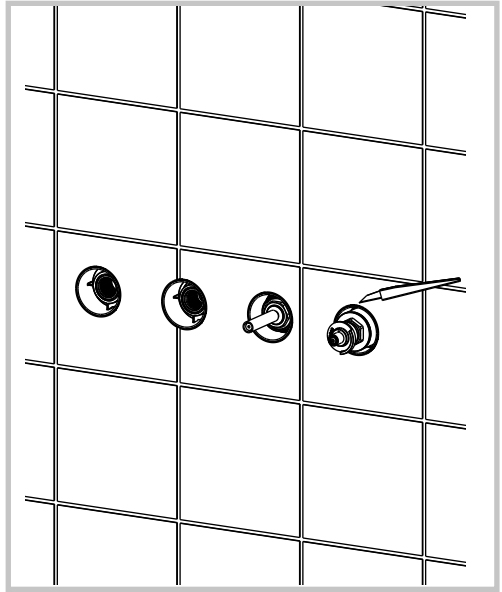
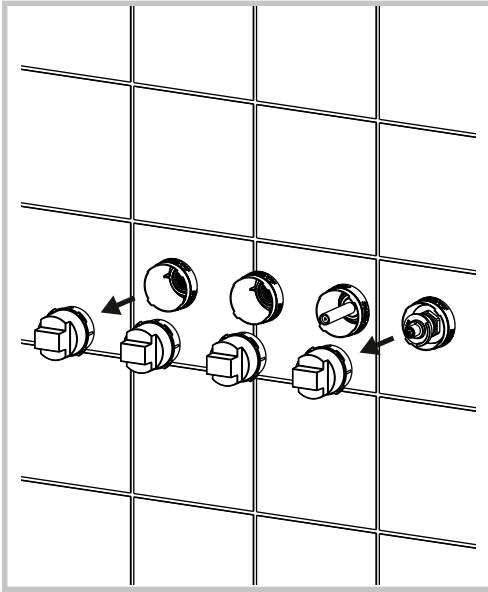


BATHTUBE MODULE 2 WAY CONTROL TRIMSET WITH BATHSPOUT AND HANDSHOWER

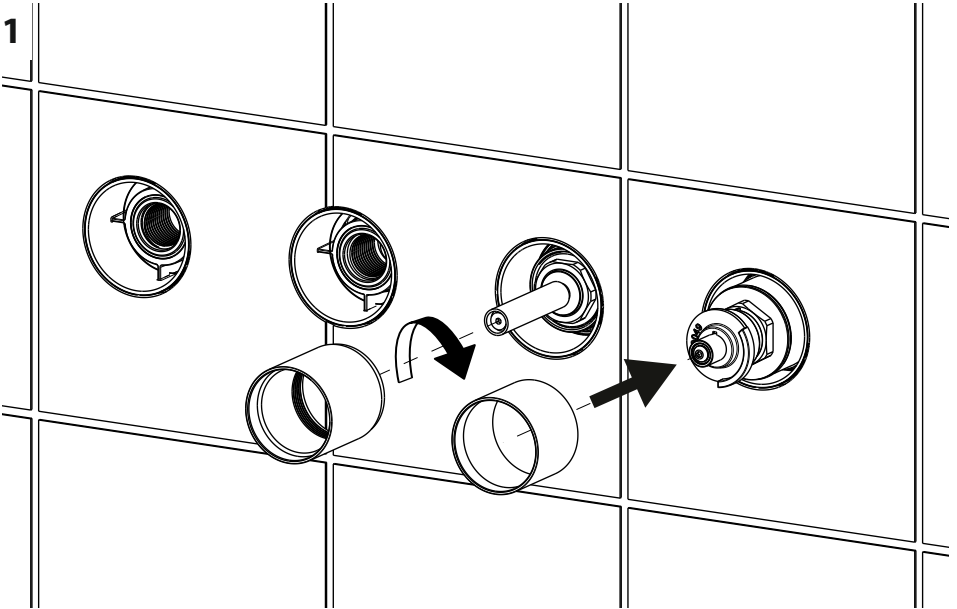


BATHTUB MODULE 3 WAY CONTROL TRIMSET WITH BATHSPOUT AND HANDSHOWER

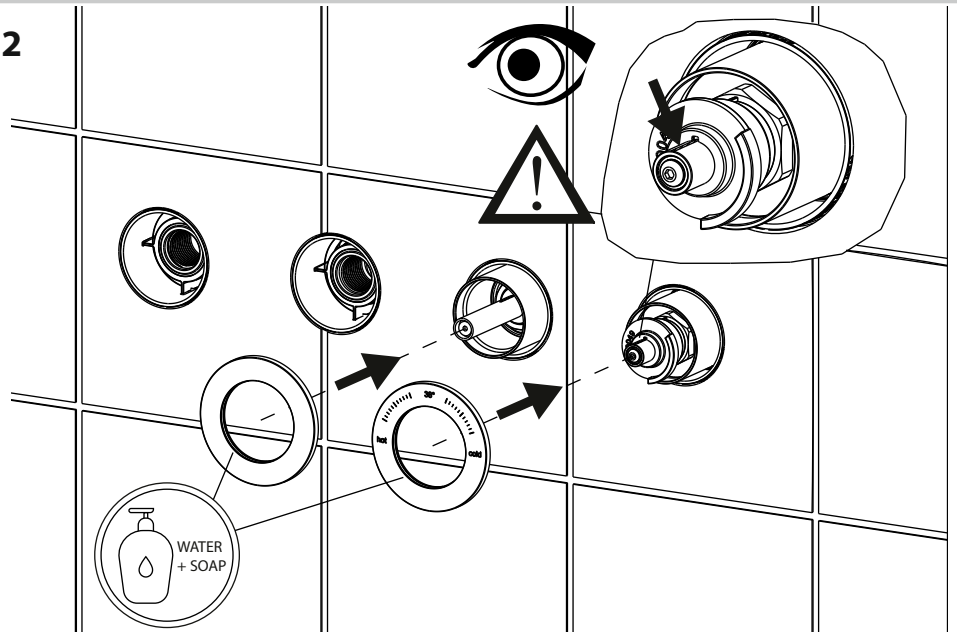




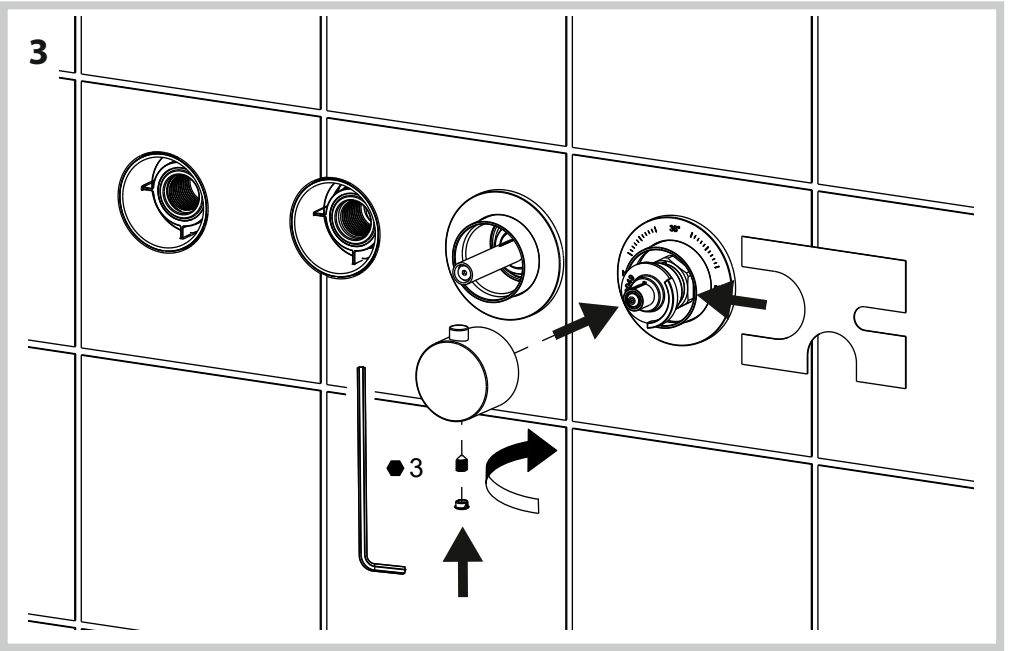
1



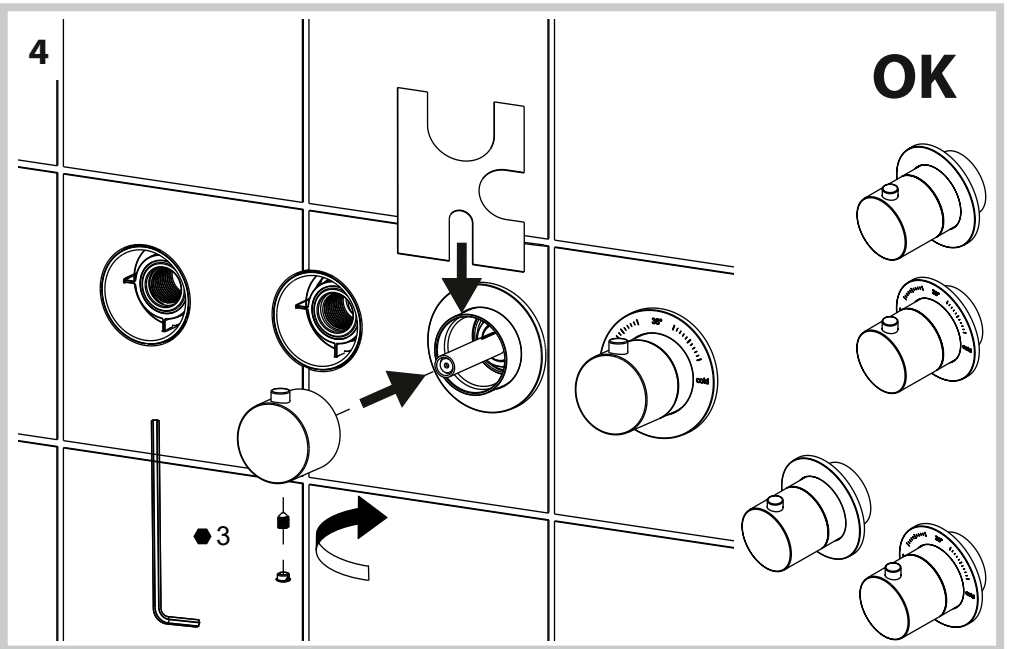
2



3

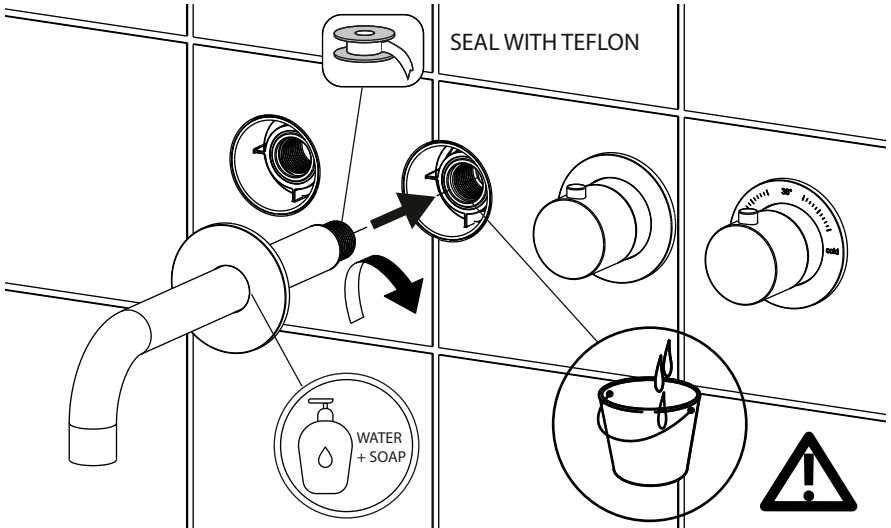


4

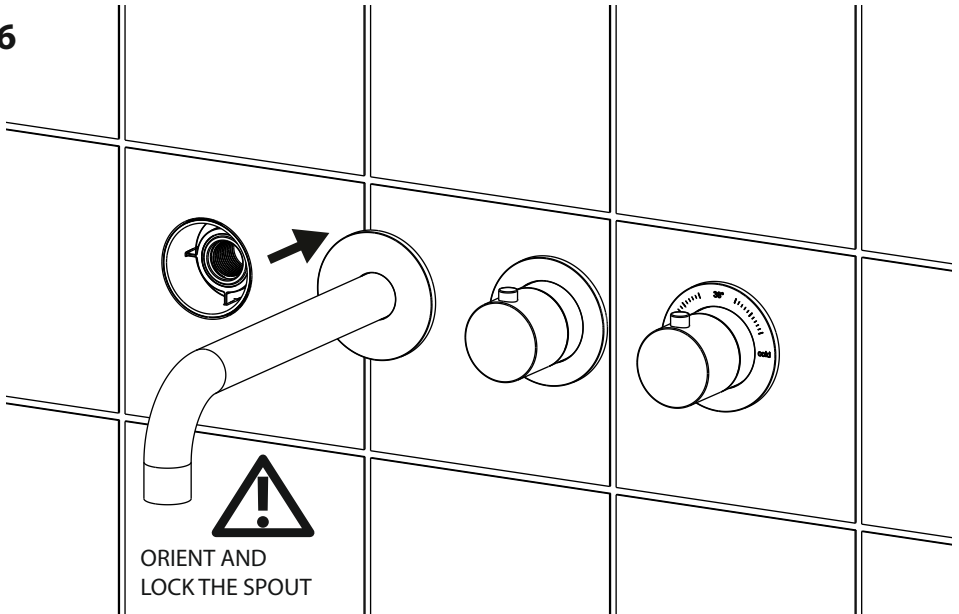


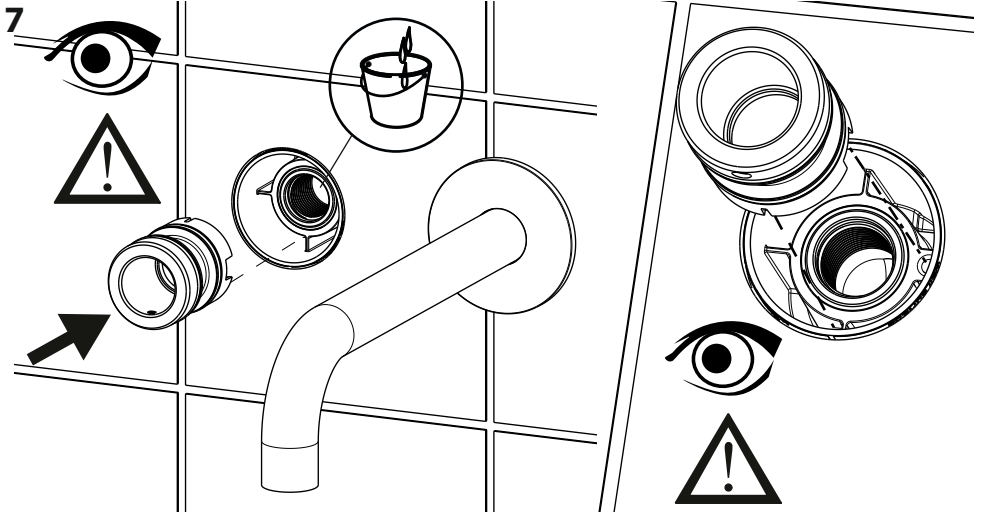
5

ATTENTION: CHECK THE CLEANING OF THE INDICATED AREAS BEFORE PROCEEDING WITH THE INSTALLATION OF THE AESTHETIC PARTS, DRAIN A GOOD QUANTITY OF WATER TO CLEAN THE SYSTEM FROM DIRT AND RESIDUES.

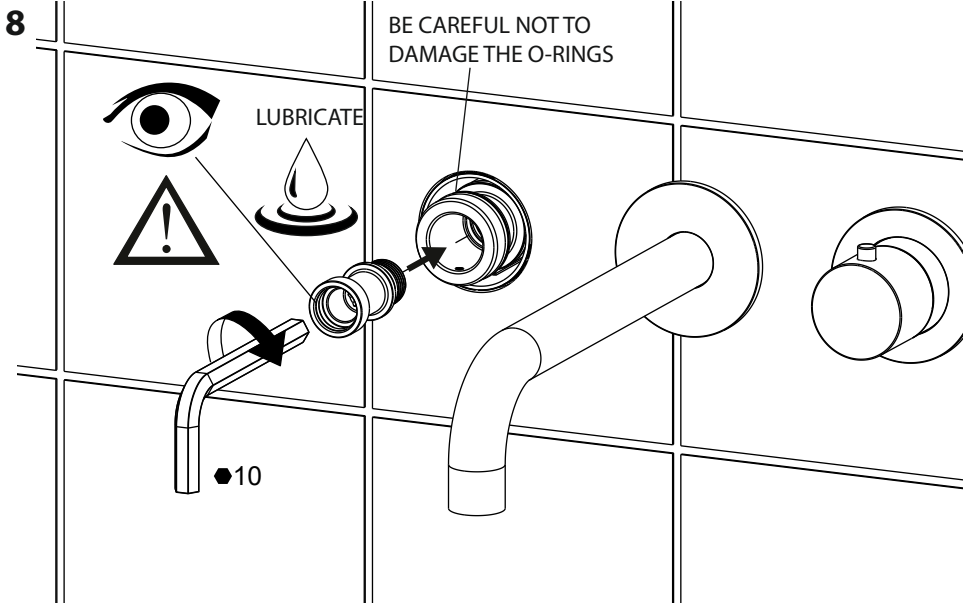


6

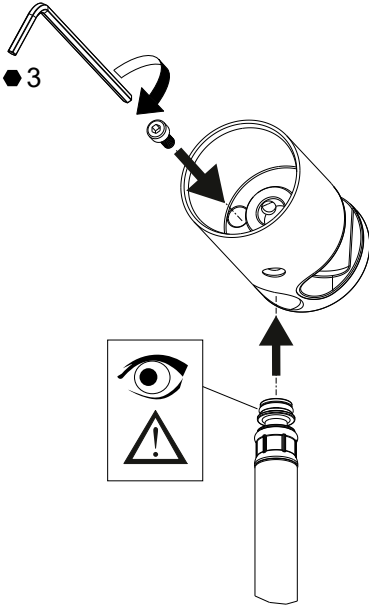




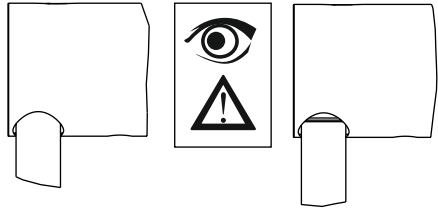
ATTENTION: CHECK THE CLEANING OF THE INDICATED AREAS BEFORE PROCEEDING WITH THE INSTALLATION OF THE AESTHETIC PARTS, DRAIN A GOOD QUANTITY OF WATER TO CLEAN THE SYSTEM FROM DIRT AND RESIDUES.



9



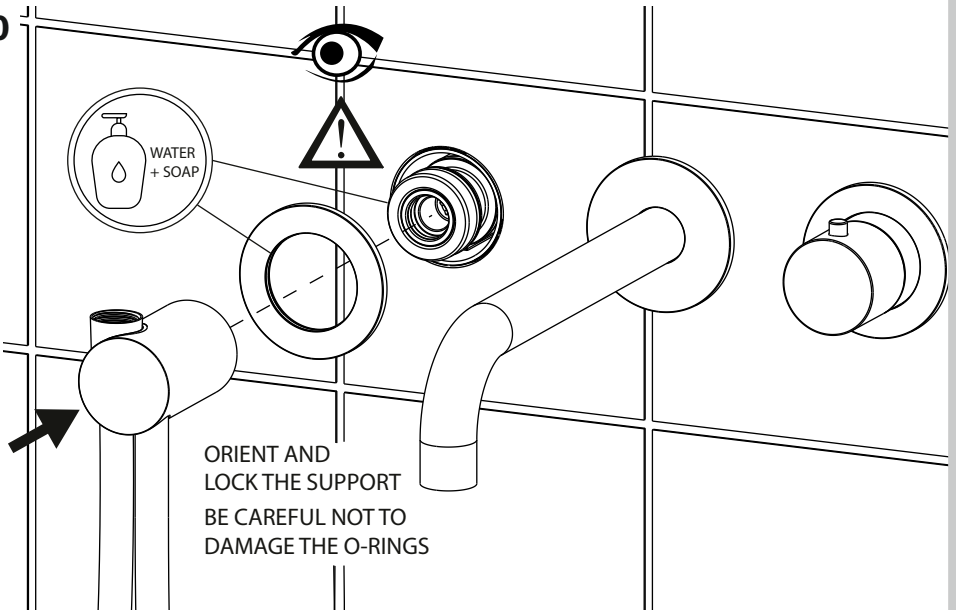
ATTENTION:
CHECK THE CORRECT POSITION OF THE HOSE



OK

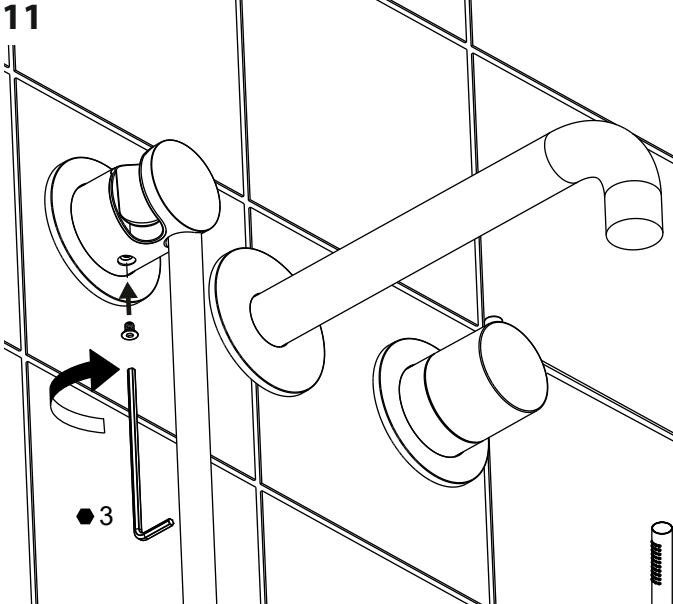
NOT OK

10

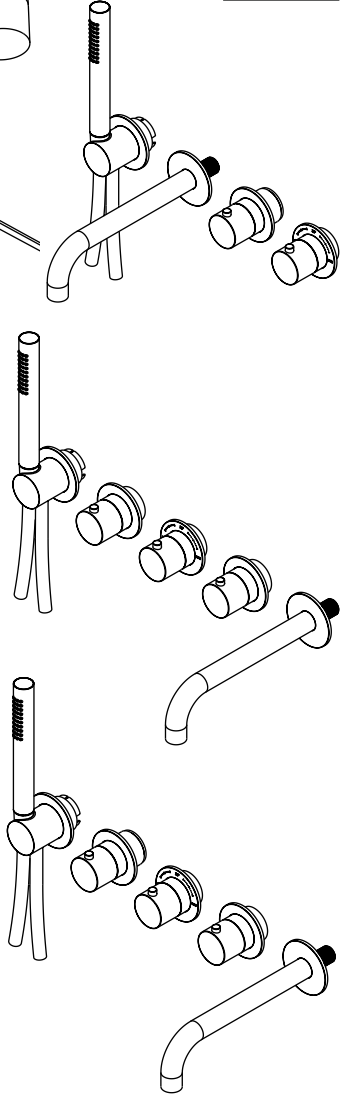
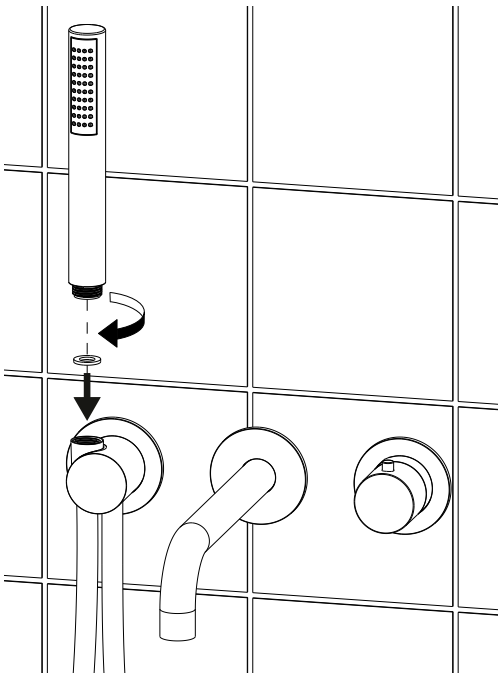


ORIENT AND
LOCK THE SUPPORT
BE CAREFUL NOT TO
DAMAGE THE O-RINGS

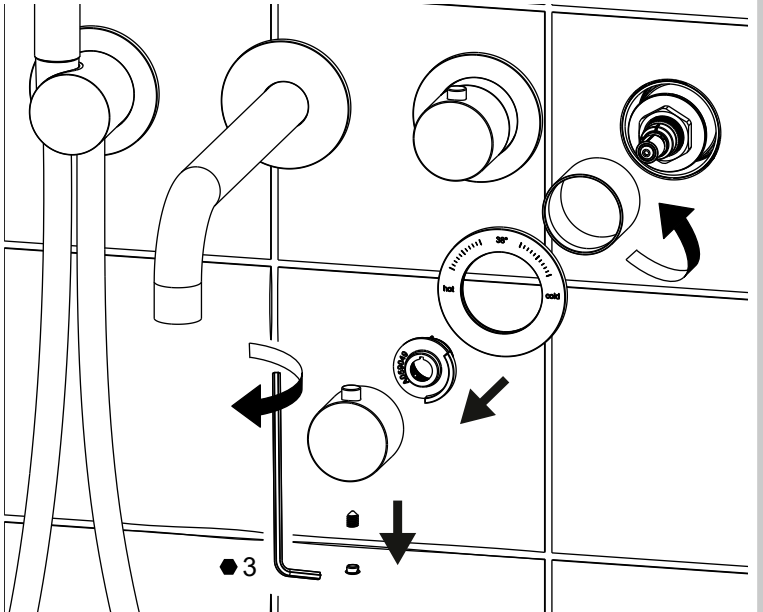
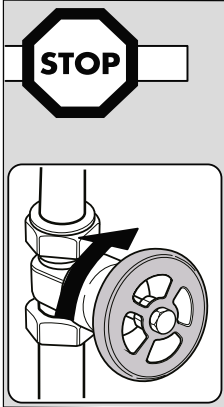
11



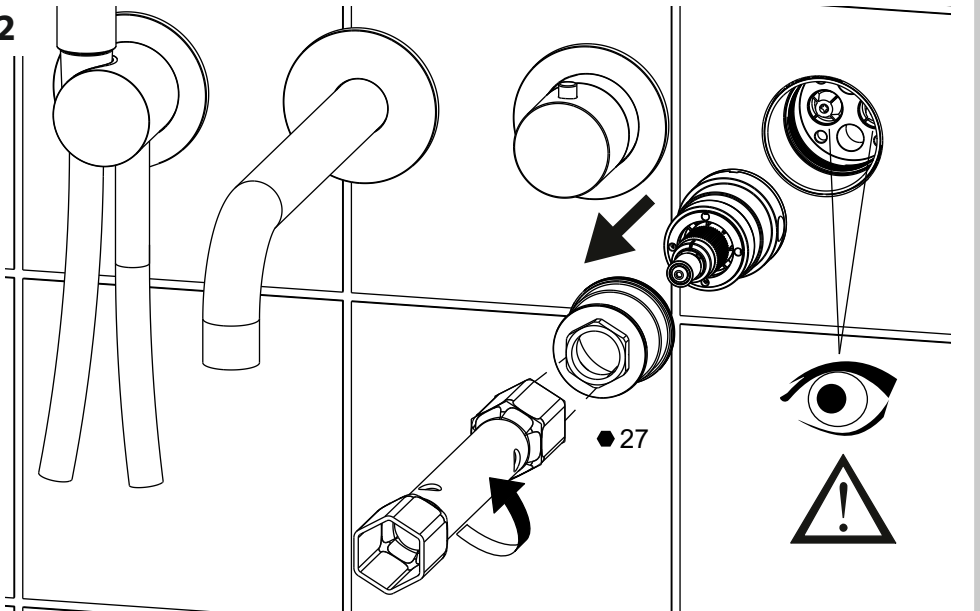
OK

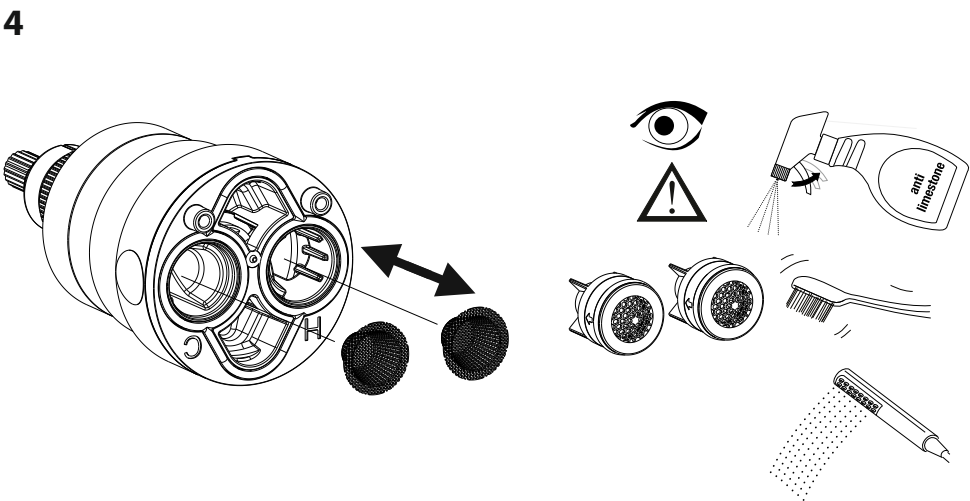
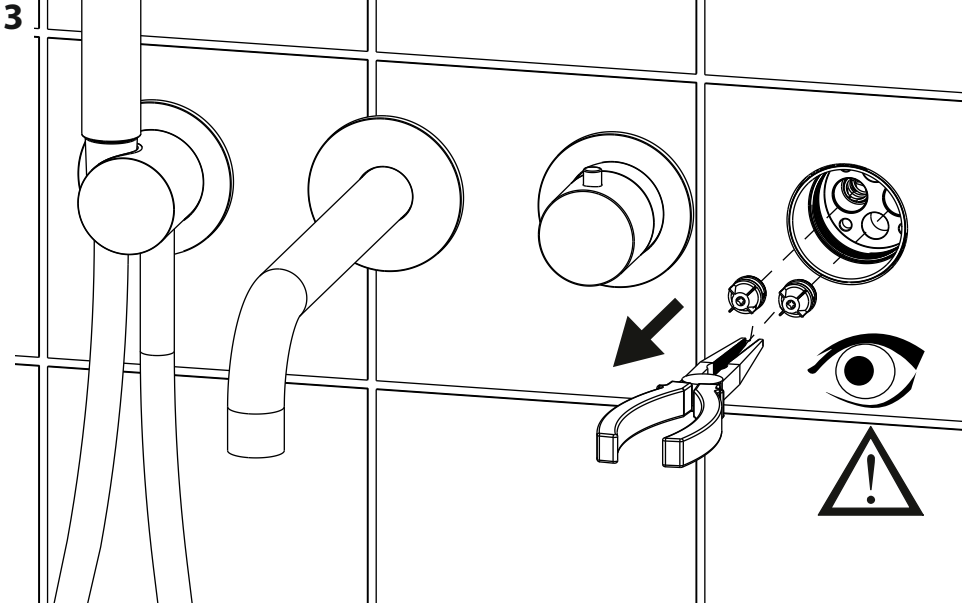


1



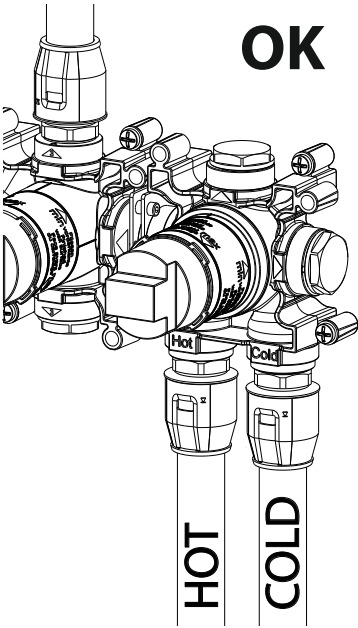
2



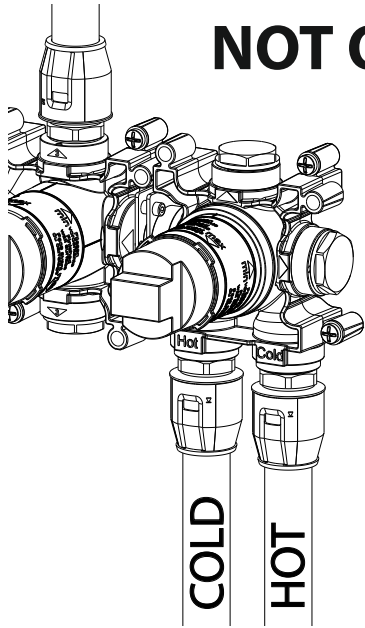


5

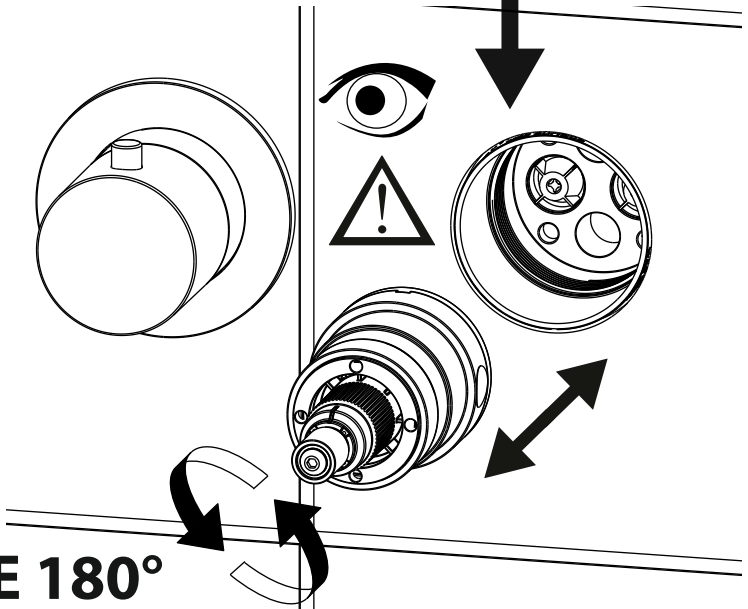
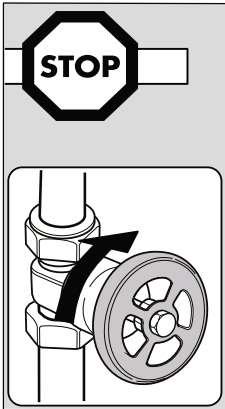
OK



NOT OK

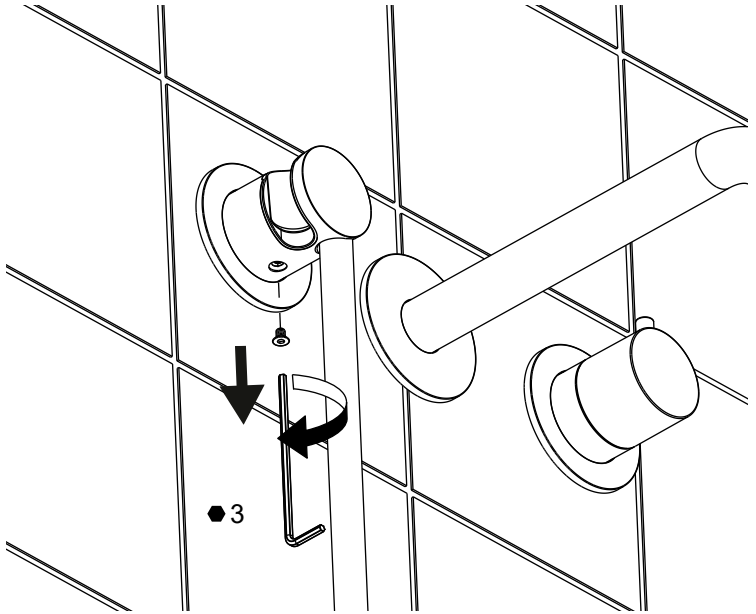
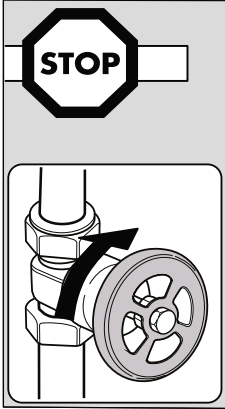


6



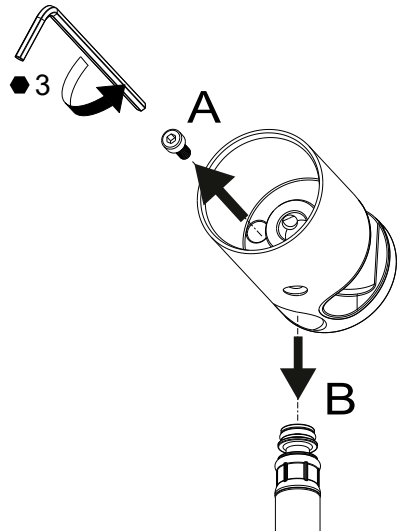
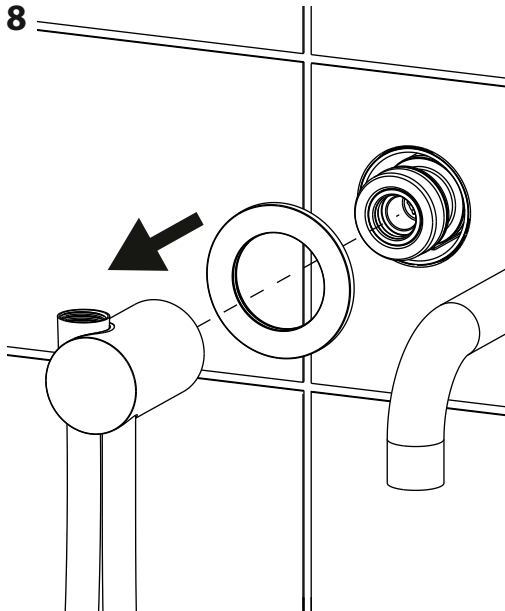
ROTATE 180°

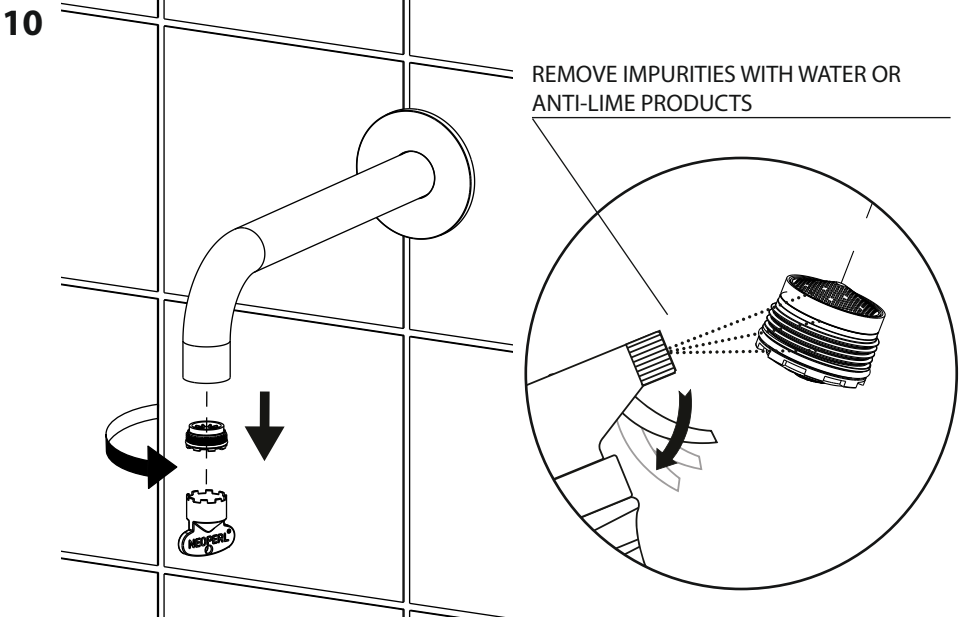
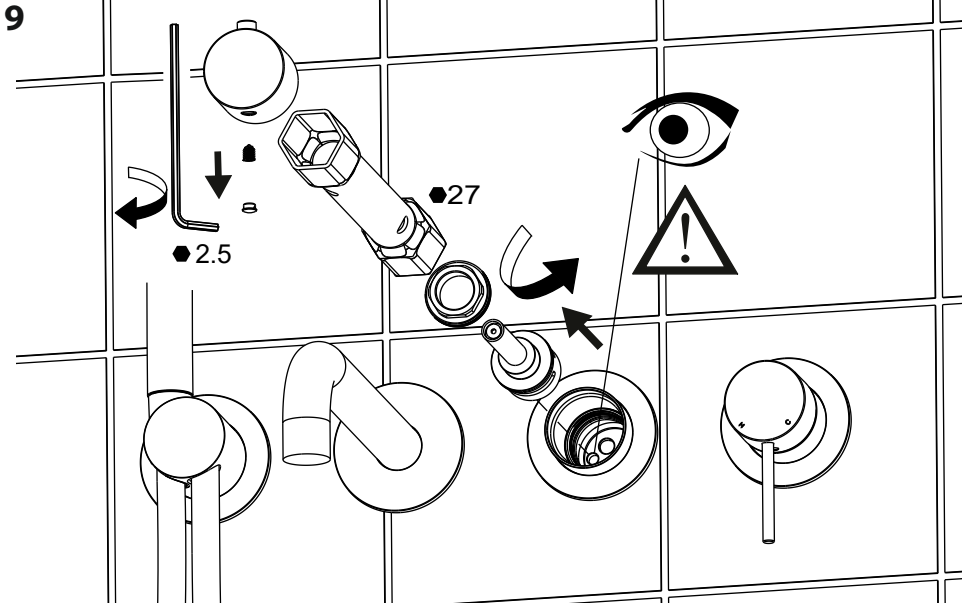
7



8

REPLACE THE FLEX HOSE AND START FROM POINT 9





EN | CLEANING

CLEAN SURFACES USING ONLY WATER OR NEUTRAL DETERGENTS AND DRY WITH A SOFT CLOTH. NEVER USE ABRASIVE OR CORROSIVE DETERGENTS OR PRODUCTS CONTAINING HYDROCHLORIC ACID, PHOSPHORIC ACID, AMMONIA OR BLEACH.

DO NOT USE SPONGES OR ABRASIVE CLOTHS.

IT IS RECOMMENDED TO CLEAN THE SURFACES PERIODICALLY, IN ORDER TO NOT CREATE SITUATIONS OF EXCESSIVE DIRT WHICH IS DIFFICULT TO ELIMINATE.

ATTENTION: THE USE OF NOT-RECOMMENDED PRODUCTS MAY IRREPARABLY DETERIORATE SURFACES.

IT | PULIZIA

PULIRE LE SUPERFICI UTILIZZANDO ESCLUSIVAMENTE ACQUA E DETERGENTI NEUTRI ED ASCIUGARE CON UN PANNO MORBIDO.

NON UTILIZZARE IN NESSUN CASO DETERGENTI O PRODOTTI ABRASIVI, CORROSIVI E CONTENENTI ACIDO CLORIDRICO, FOSFORICO, AMMONIACA O CANDEGGINA.

NON UTILIZZARE SPUGNE O PANNI ABRASIVI.

SI RACCOMANDA DI ESEGUIRE PERIODICAMENTE LA PULIZIA DELLE SUPERFICI, PER NON CREARE SITUAZIONI DI SPORCO ECCESSIVO E DIFFICILE DA ELIMINARE.

ATTENZIONE: L'IMPIEGO DI PRODOTTI NON CONSIGLIATI PUÒ DETERIORARE IRRIMEDIABILMENTE LE SUPERFICI.