

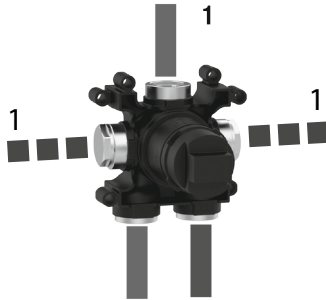
ISTRUZIONI DI MONTAGGIO PARTI ESTETICHE
MISCELATORE MECCANICO MODULAR
INSTRUCTIONS AESTHETICAL PARTS
SINGLE LEVER MIXER MODULAR

PRESSURE RANGE MIN/MAX 0,5/5 BAR
(IN CASE OF WATER PRESSURE HIGHTER THAN 5 BAR WE RECOMMEND
INSTALLING PRESSURE REDUCERS).
RECOMMENDED PRESSURE 3 BAR.

OPERATION:
EITHER WITH GAS OR ELECTRIC ACCUMULATION BOILERS.
CENTRALISED SYSTEMS.

WARNING: CONTACT THE PLUMBER FOR THE CHOICE OF THE BEST WATER
HEATING DEVICE.

AESTHETICAL PARTS - CONCEALED MODULE 1 WAY



E180140

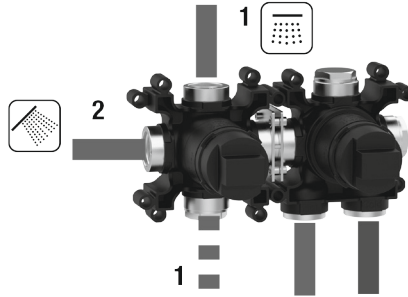


E180190

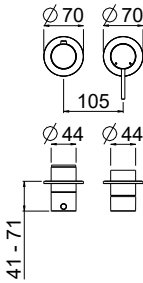


E186900			
PRESSURE	FLOW RATE L/min.		
BAR	EXIT 1		
0.5	12.6		
1	17.3		
2	24.3		
3	29.7		
4	34.2		
5	38.2		

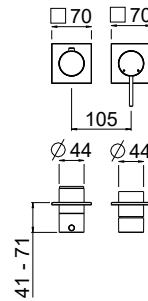
AESTHETICAL PARTS - CONCEALED MODULE 2 WAY



E180141

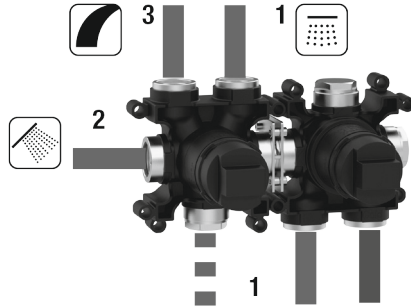


E180191

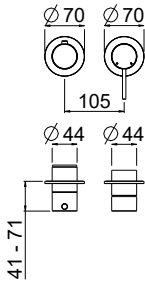


E186901			
PRESSURE	FLOW RATE L/min.		
BAR	EXIT 1	EXIT 2	
0.5	11.4	11	
1	15.8	15.3	
2	22	21.3	
3	26.8	25.8	
4	31	30	
5	34.5	33.4	

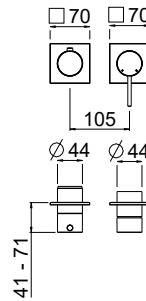
AESTHETICAL PARTS - CONCEALED MODULE 3 WAY



E180141

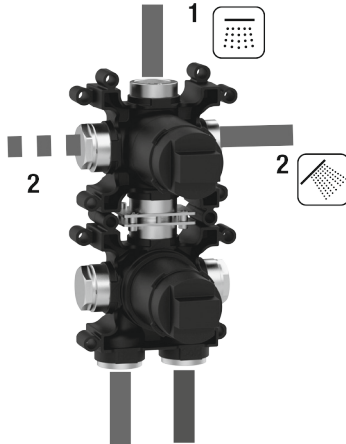


E180191

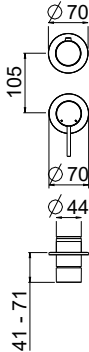


E186902			
PRESSURE	FLOW RATE L/min.		
BAR	EXIT 1	EXIT 2	EXIT 3
0.5	11	10.6	11.2
1	15.2	14.6	15.5
2	21.2	21	21.6
3	25.9	25.8	26.4
4	29.9	29.6	30.3
5	33.5	33	33.7

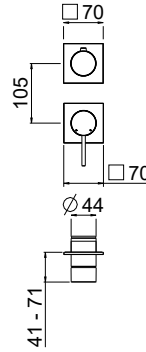
AESTHETICAL PARTS - CONCEALED MODULE 2 WAY



E180141

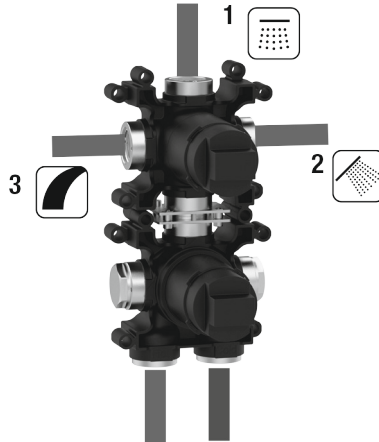


E180191

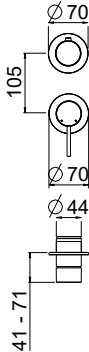


E186905			
PRESSURE	FLOW RATE L/min.		
BAR	EXIT 1	EXIT 2	
0.5	11.4	11	
1	15.8	15.3	
2	22	21.3	
3	26.8	25.8	
4	31	30	
5	34.5	33.4	

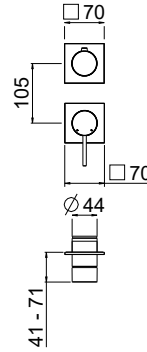
AESTHETICAL PARTS - CONCEALED MODULE 3 WAY



E180141

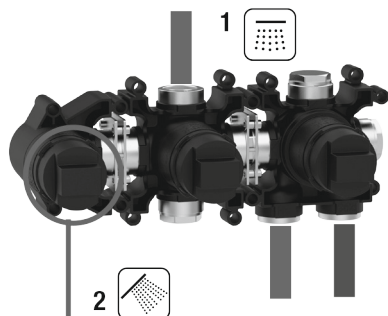
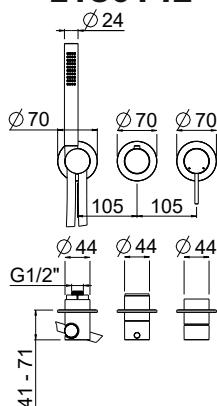
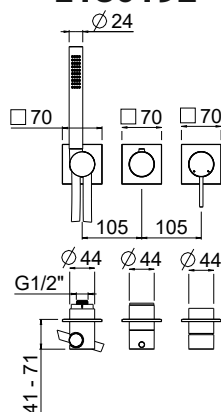


E180191



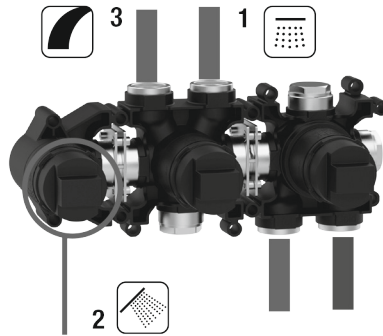
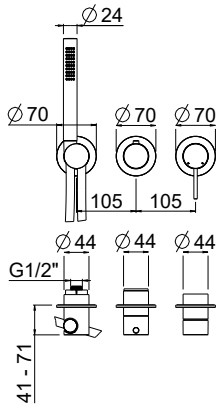
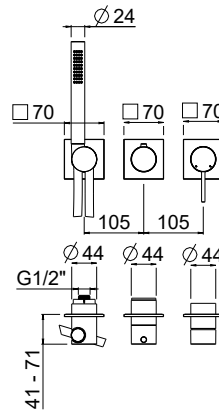
E186906			
PRESSURE	FLOW RATE L/min.		
BAR	EXIT 1	EXIT 2	EXIT 3
0.5	11	10.6	11.2
1	15.2	14.6	15.5
2	21.2	21	21.6
3	25.9	25.8	26.4
4	29.9	29.6	30.3
5	33.5	33	33.7

AESTHETICAL PARTS - CONCEALED MODULE 2 WAY

**E180142****E180192****E186903**

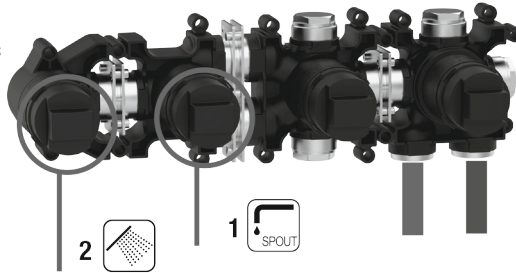
PRESSURE	FLOW RATE L/min.		
	EXIT 1	EXIT 2 HAND SHOWER	
0.5	11.4	5	
1	15.8	7	
2	22	10	
3	26.8	12.5	
4	31	14.3	
5	34.5	16.1	

AESTHETICAL PARTS - CONCEALED MODULE 3 WAY

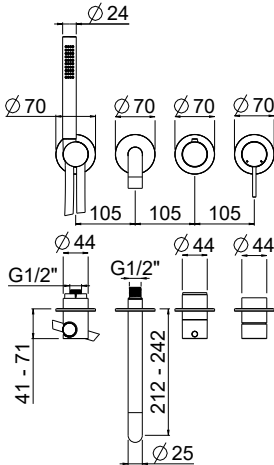
**E180142****E180192****E186904**

PRESSURE	FLOW RATE L/min.		
	EXIT 1	EXIT 2 HAND SHOWER	EXIT 3
0.5	11	5	11.2
1	15.2	7	15.5
2	21.2	10	21.6
3	25.9	12.3	26.4
4	29.9	14.2	30.3
5	33.5	15.9	33.7

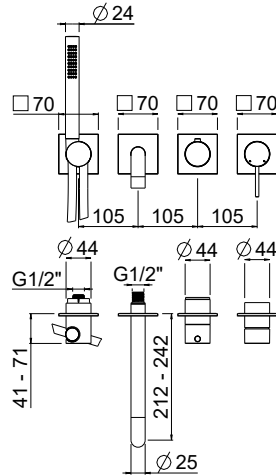
AESTHETICAL PARTS - CONCEALED BATHTUBE MODULE 2 WAY



E180143



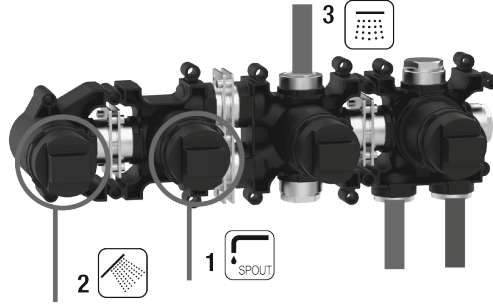
E180193



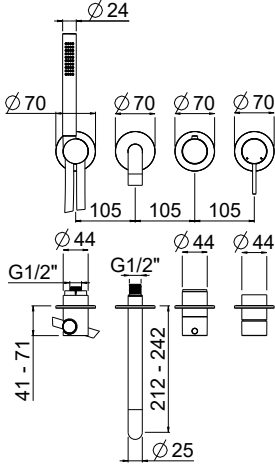
E169004

PRESSURE	FLOW RATE L/min.		
	EXIT 1 BATH SPOUT	EXIT 2 HAND SHOWER	
0.5	9.5	5	
1	13.6	7	
2	19.3	10	
3	23.5	12.4	
4	27.2	14.3	
5	30.4	16	

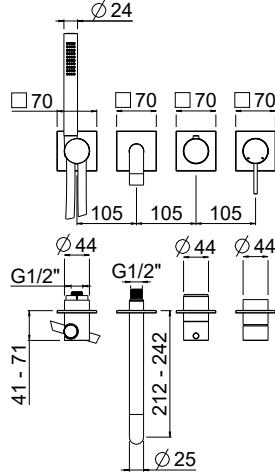
AESTHETICAL PARTS - CONCEALED BATHTUBE MODULE 3 WAY



E180143



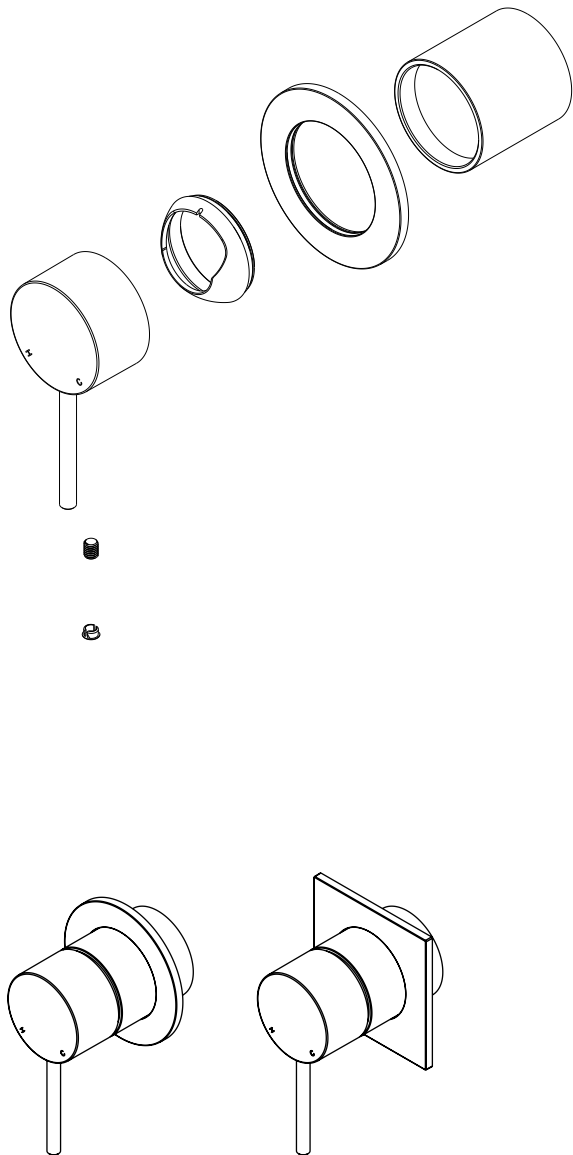
E180193



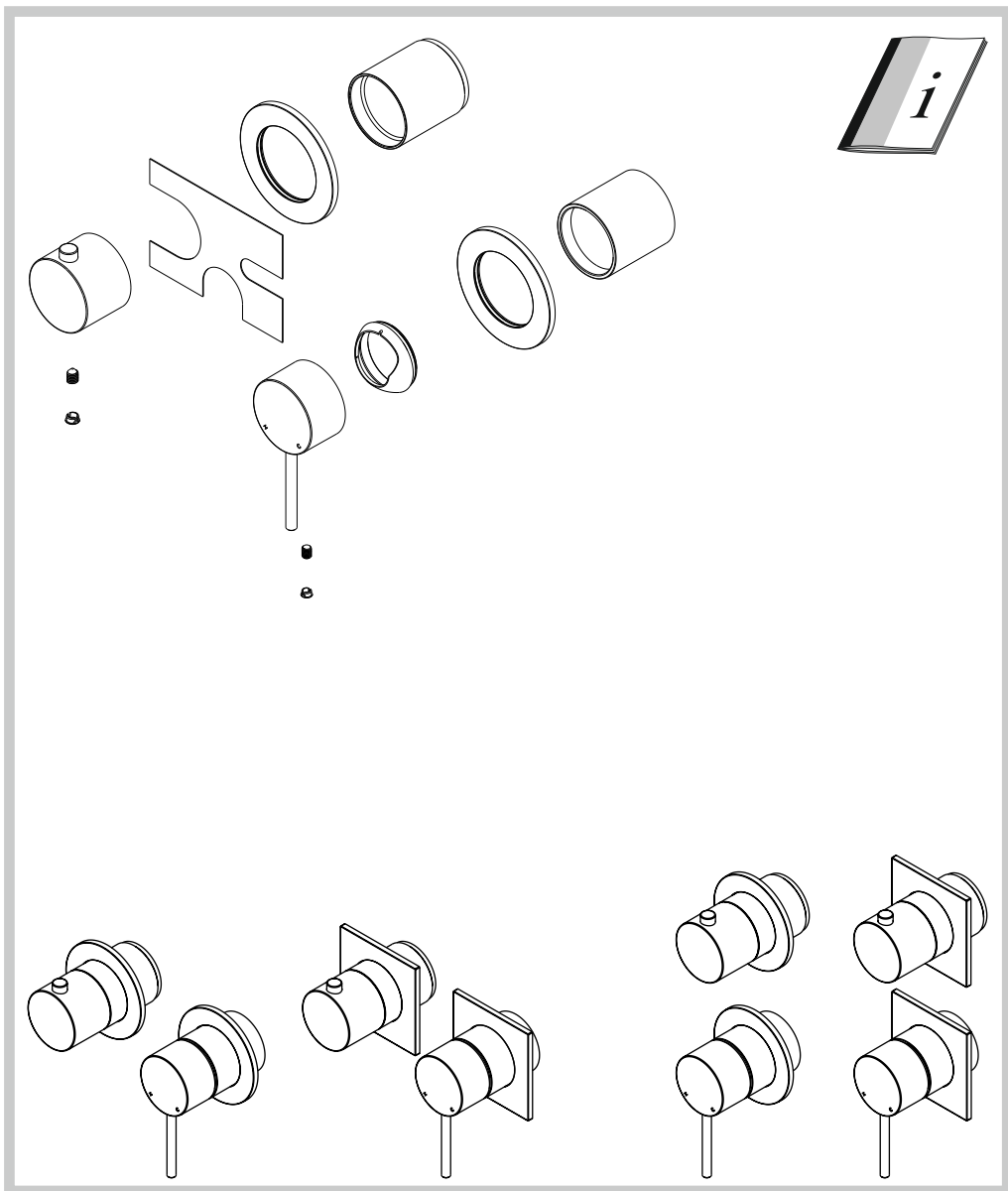
E169005

PRESSURE	FLOW RATE L/min.		
	EXIT 1 BATH SPOUT	EXIT 2 HAND SHOWER	EXIT 3 TOP/BOTTOM OUTLET
0.5	10	5	10
1	14	7	14.3
2	20	10	20.2
3	24	12.5	24.8
4	27.7	14.4	28.7
5	31	16	32

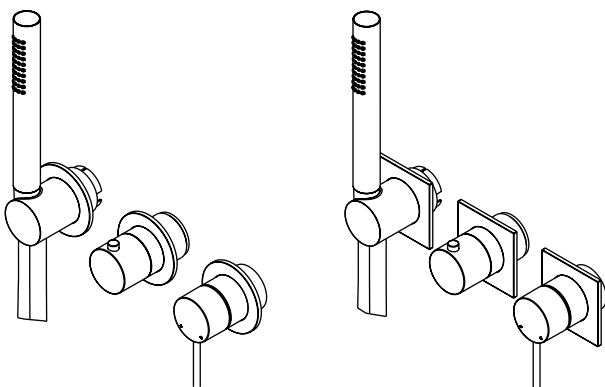
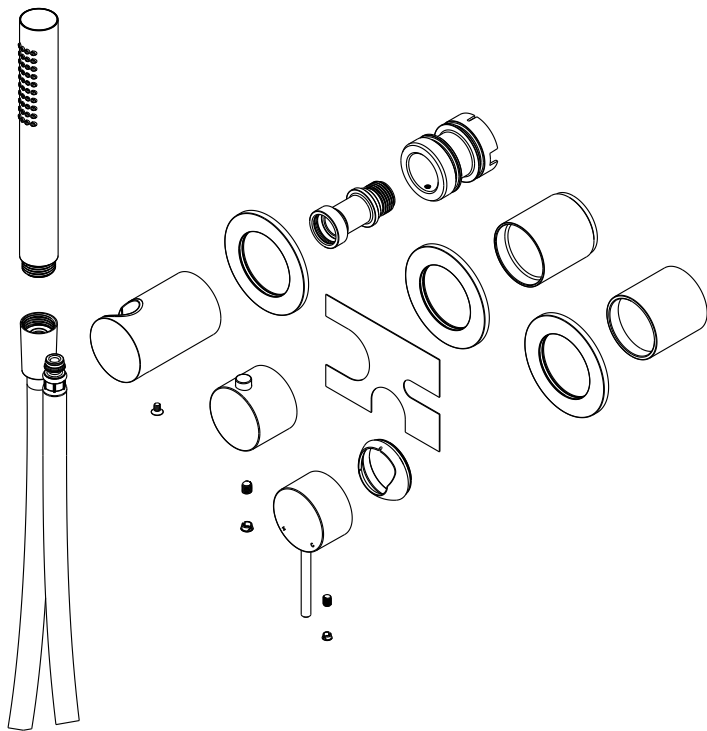
MODULE 1 WAY CONTROL MIXER TRIMSET



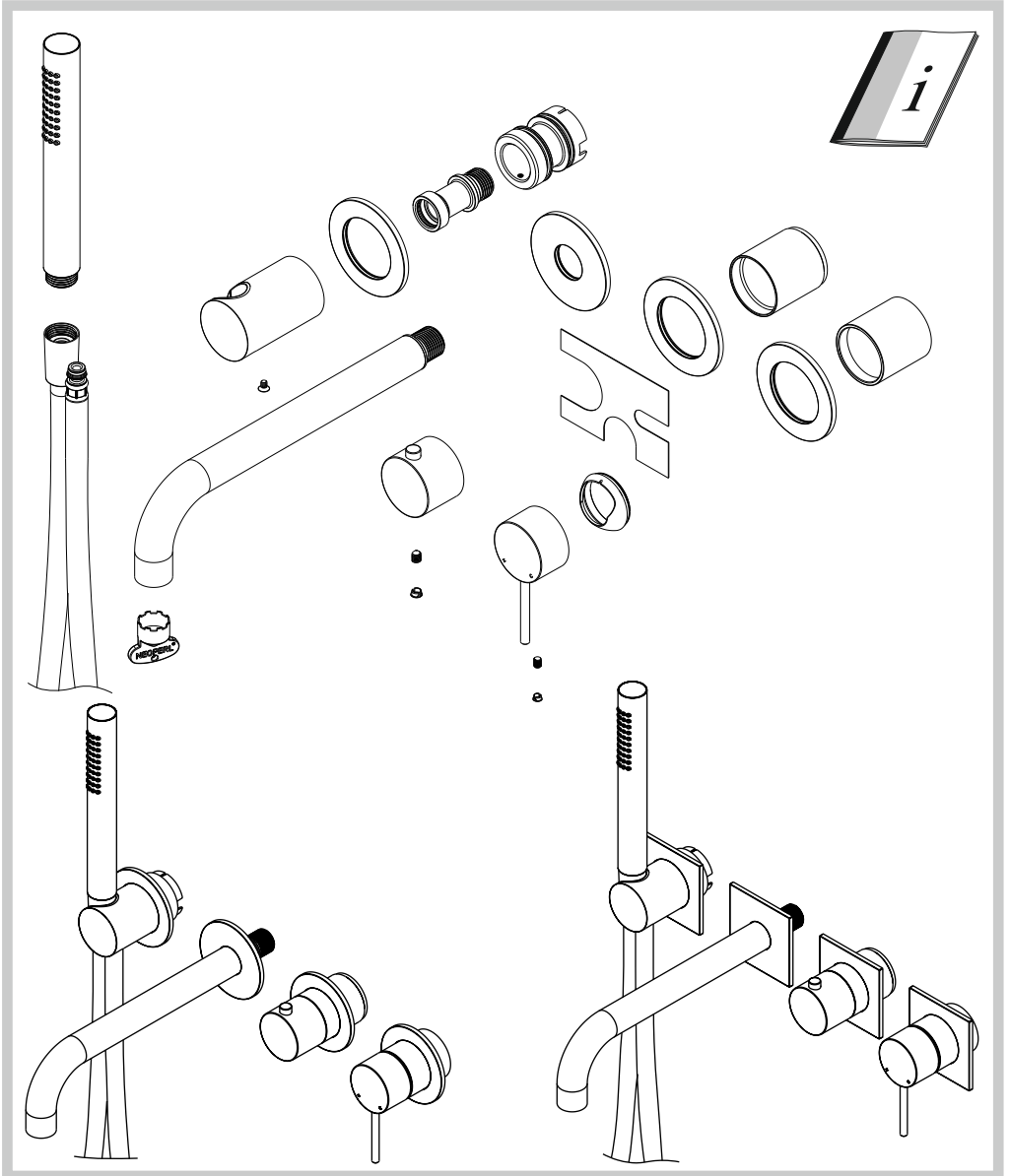
MODULE 2/3 WAY CONTROL MIXER DIVERTER TRIMSET

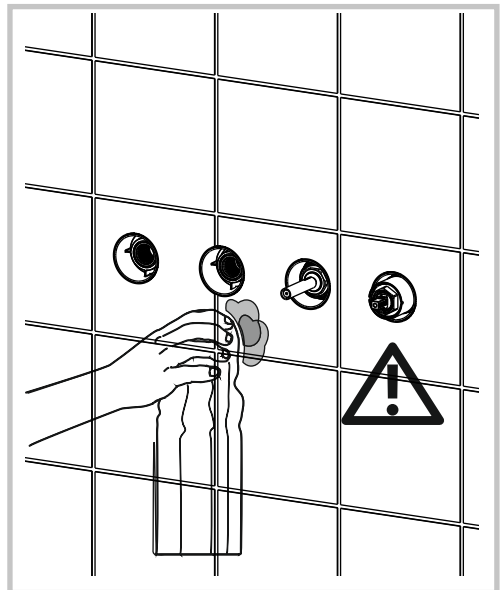
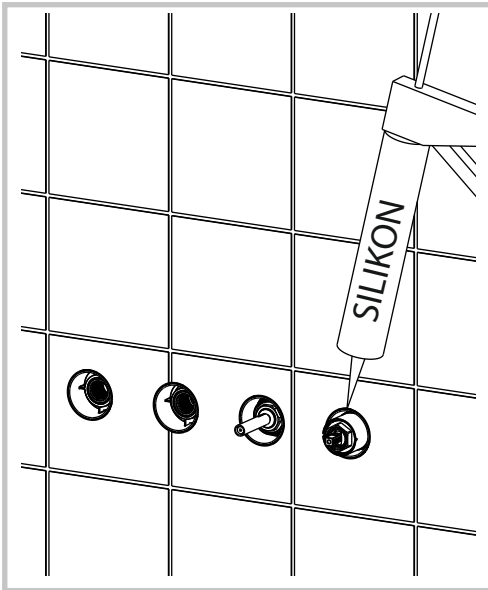
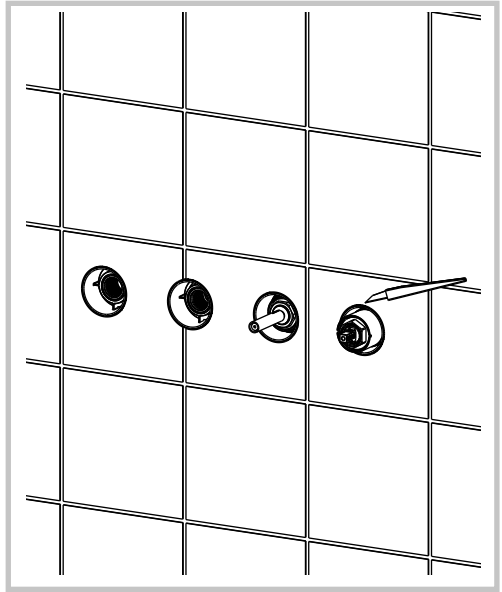
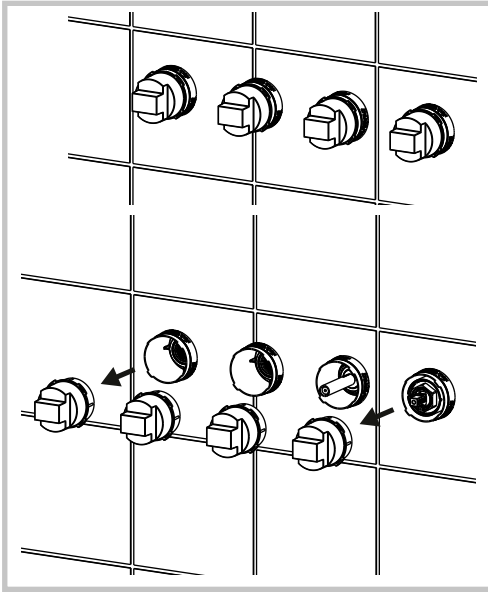


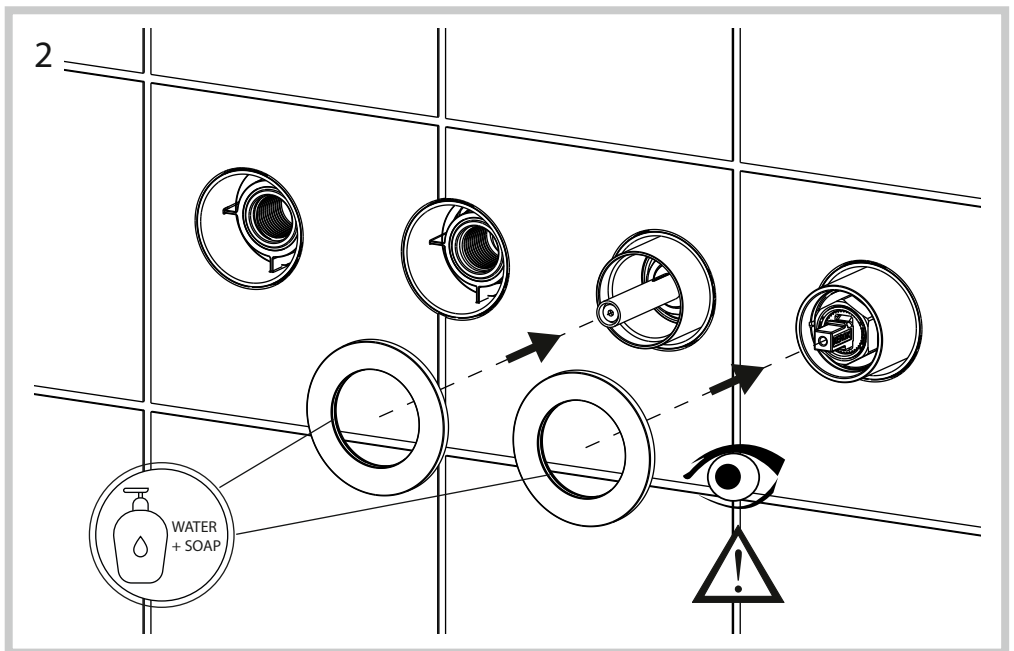
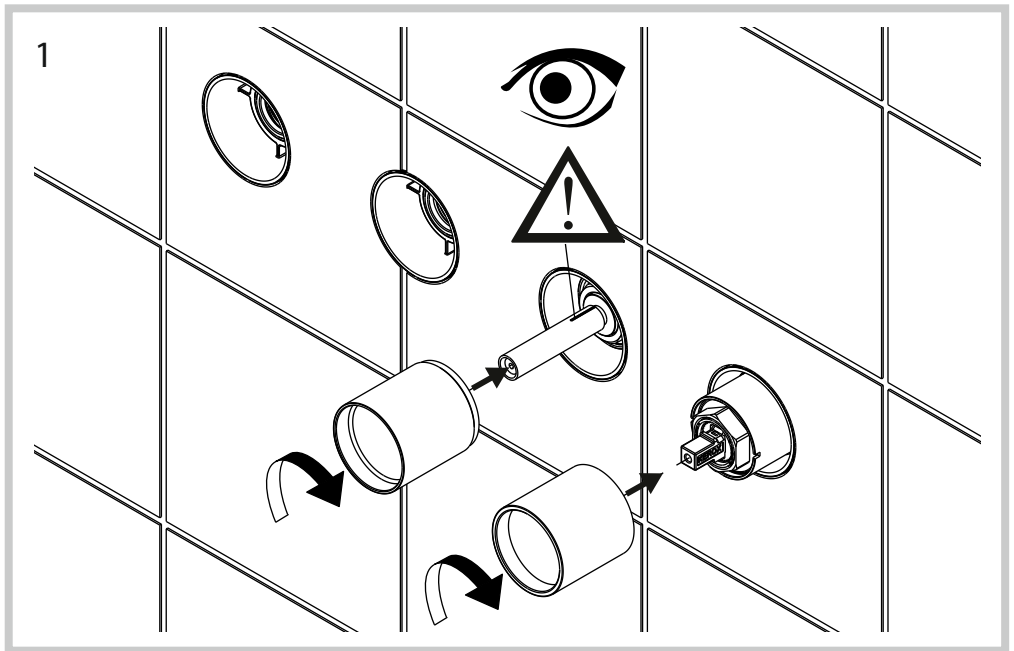
MODULE 2/3 WAY CONTROL MIXER DIVERTER TRIMSET WITH AND HANDSHOWER

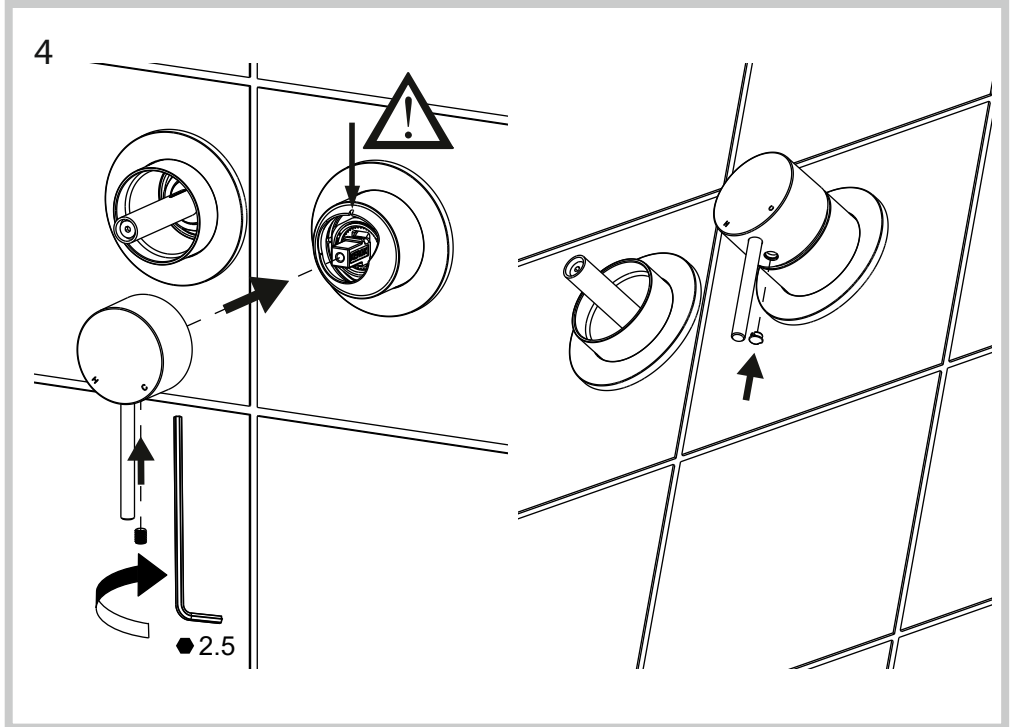
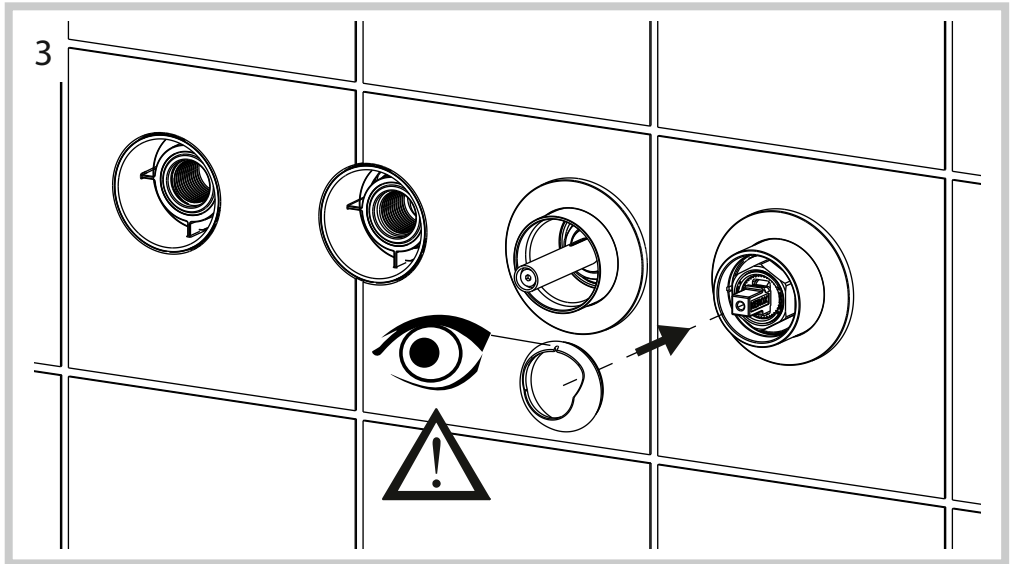


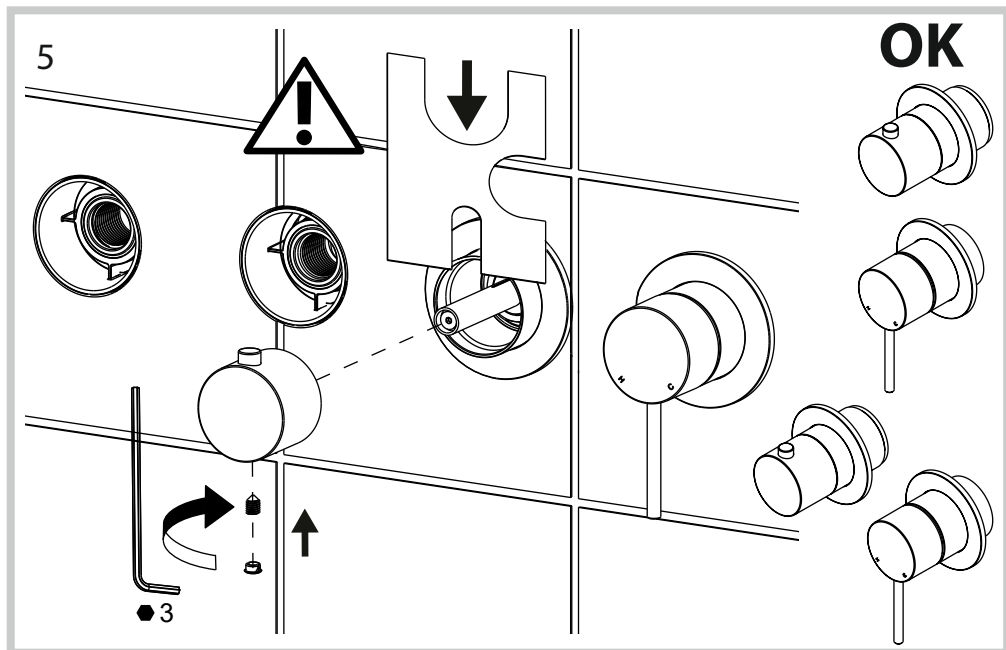
BATHTUBE MODULE 2/3 WAY CONTROL TRIMSET WITH BATHSPOUT AND HANDSHOWER



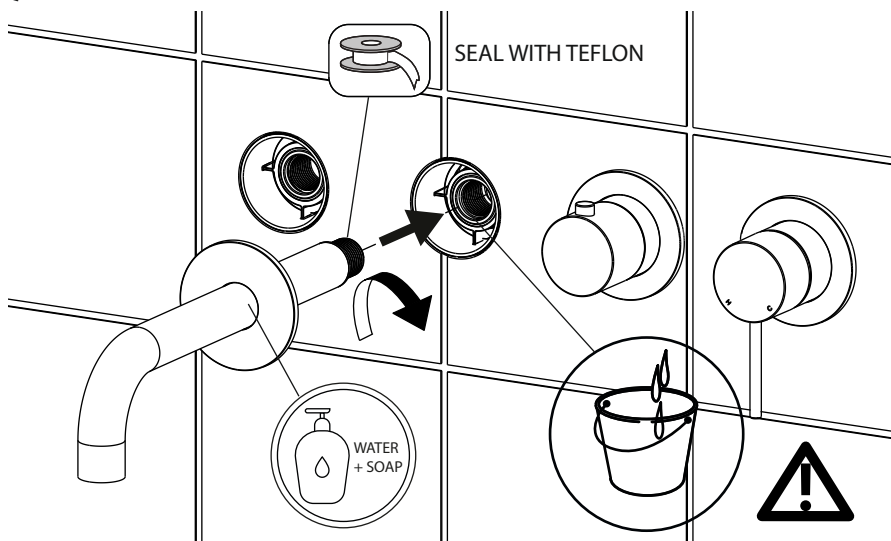




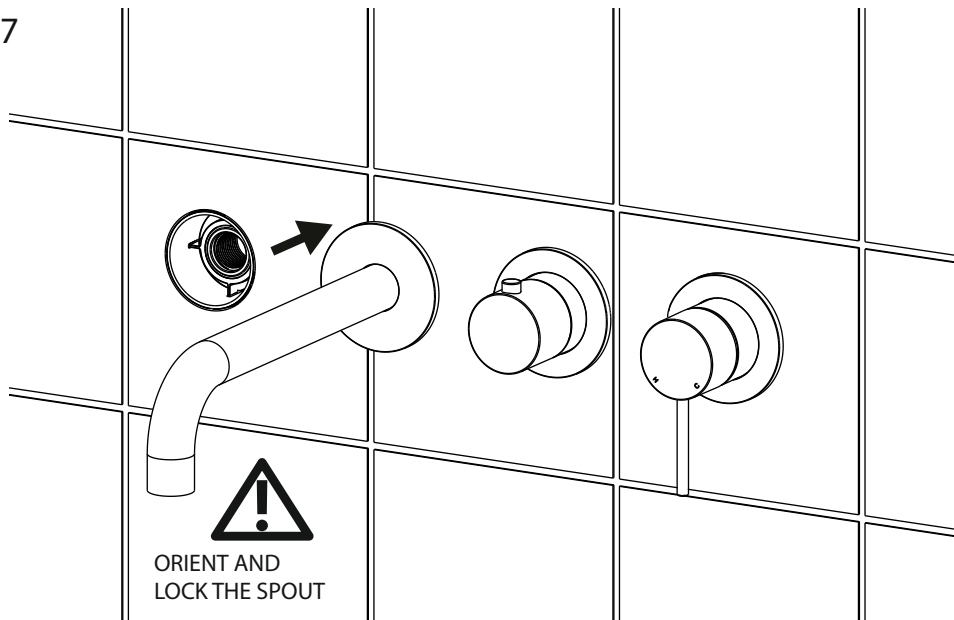




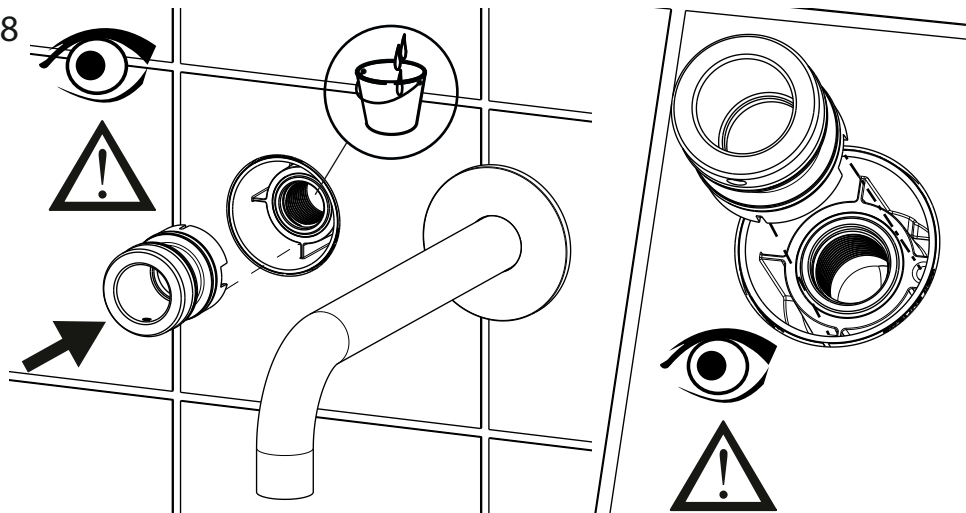
- 6 ATTENTION: CHECK THE CLEANING OF THE INDICATED AREAS BEFORE PROCEEDING WITH THE INSTALLATION OF THE AESTHETIC PARTS, DRAIN A GOOD QUANTITY OF WATER TO CLEAN THE SYSTEM FROM DIRT AND RESIDUES.



7

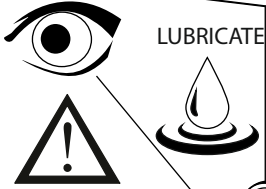


8



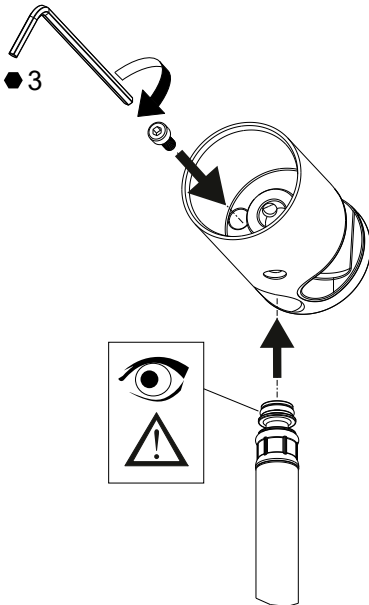
9

BE CAREFUL NOT TO
DAMAGE THE O-RINGS

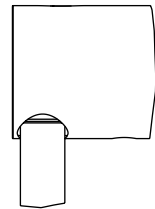
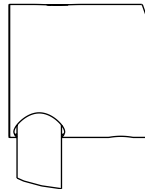


10

10

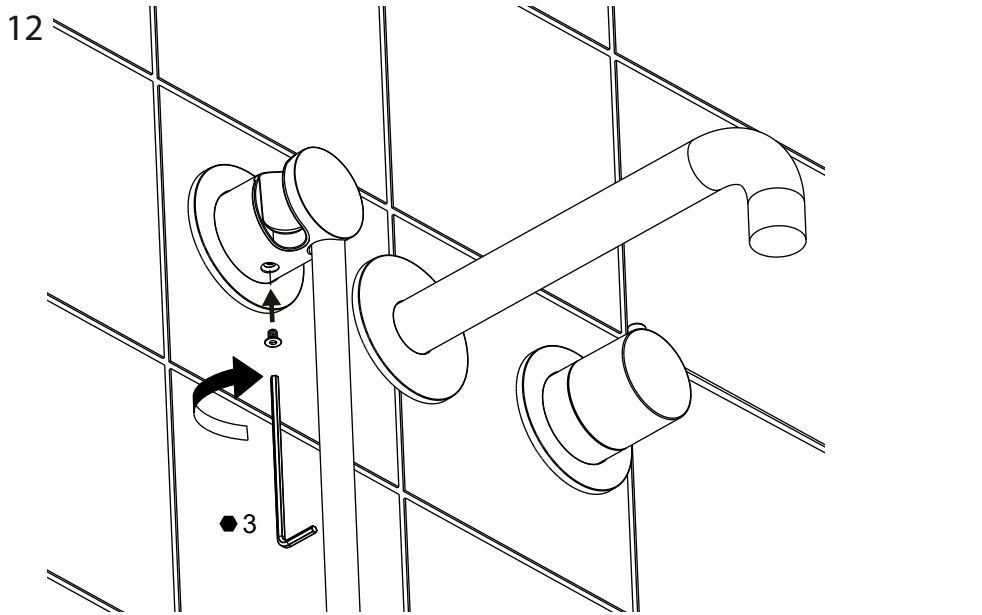
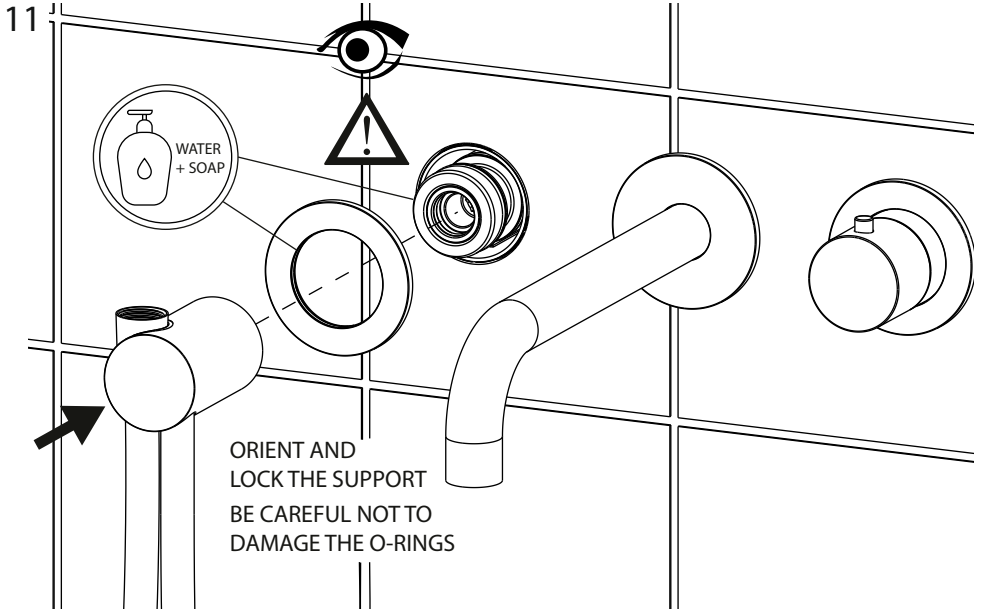


ATTENTION:
CHECK THE CORRECT POSITION OF THE HOSE

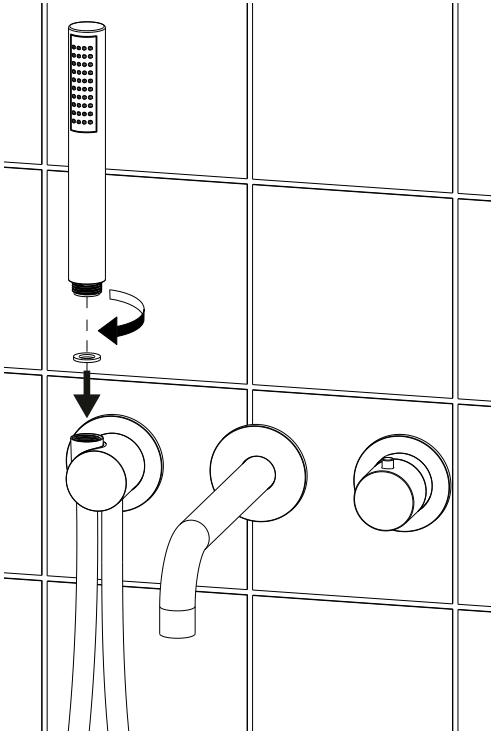


OK

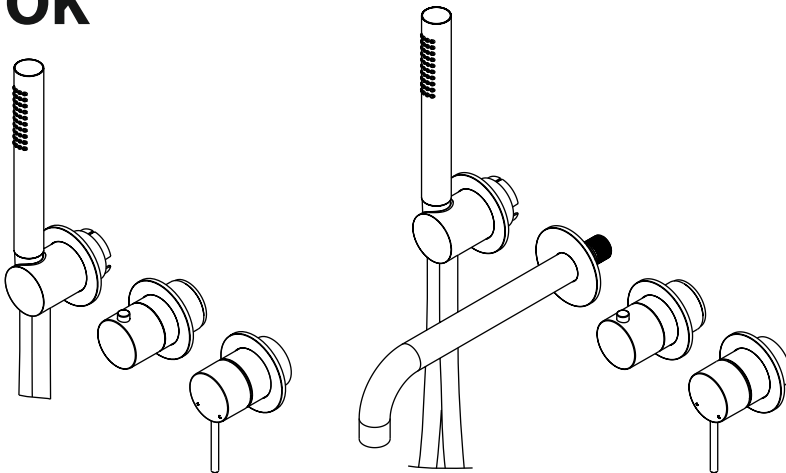
NOT OK



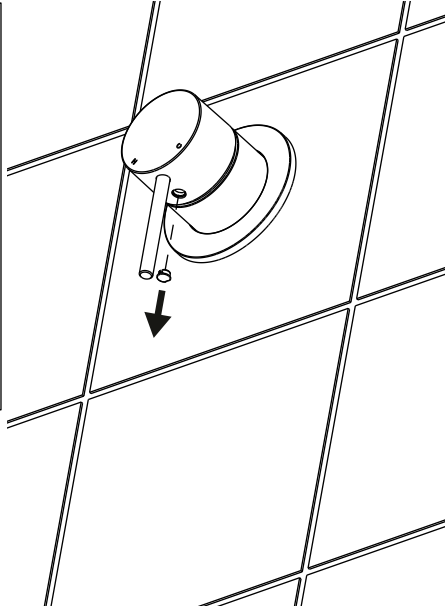
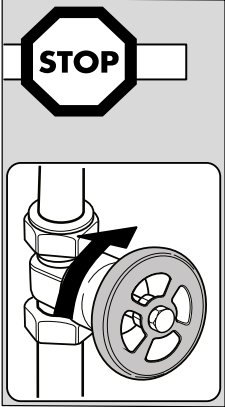
13



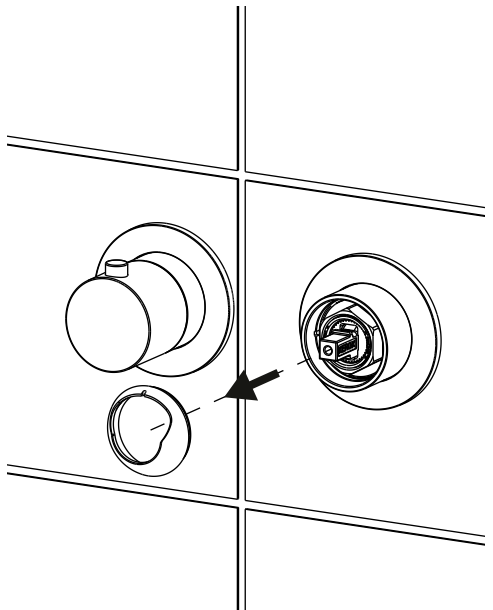
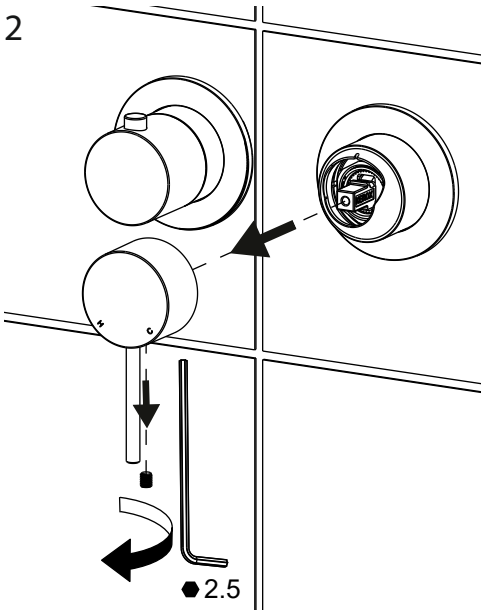
OK

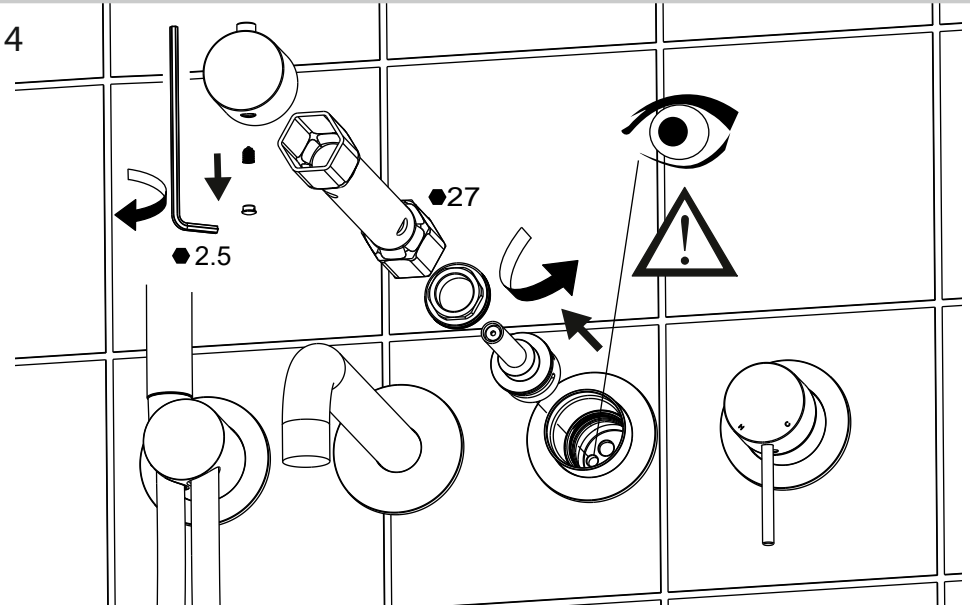
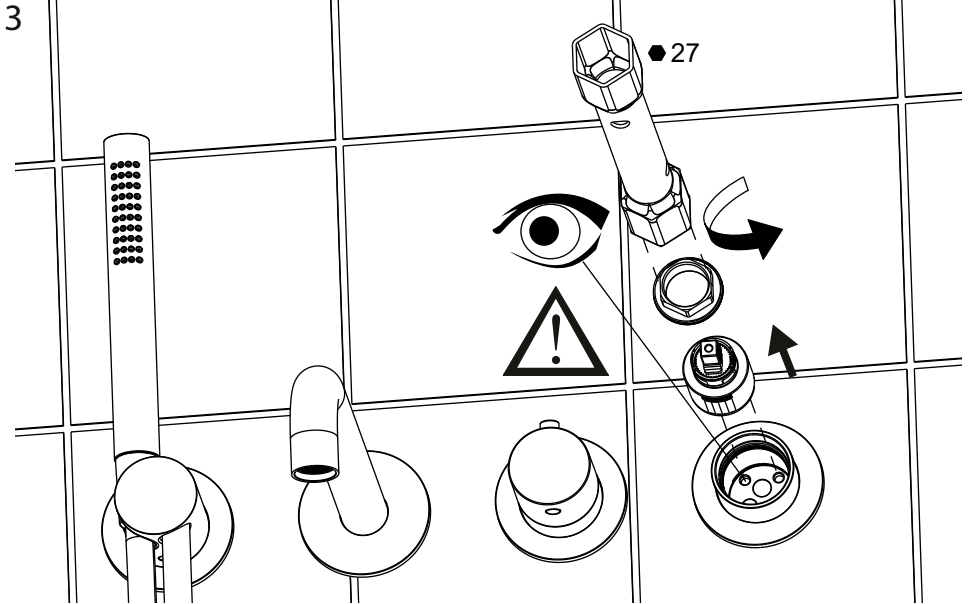


1

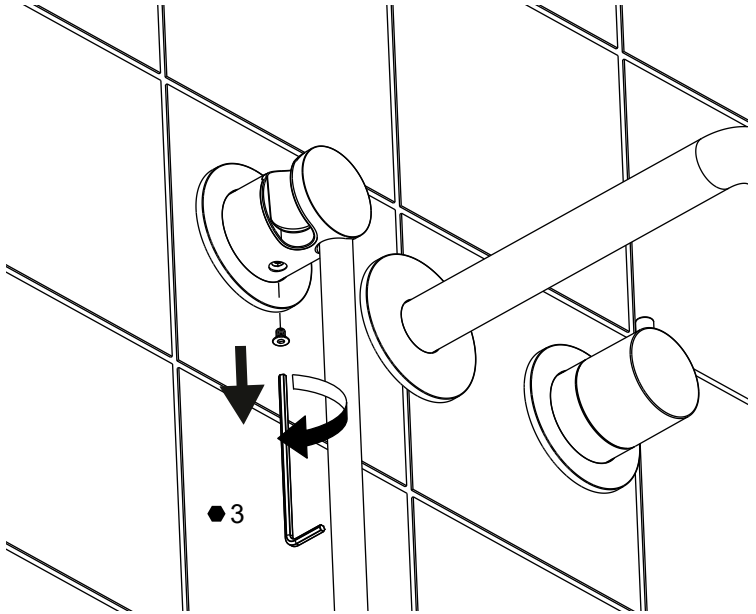
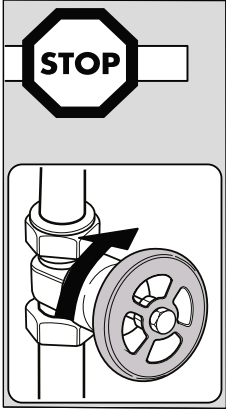


2



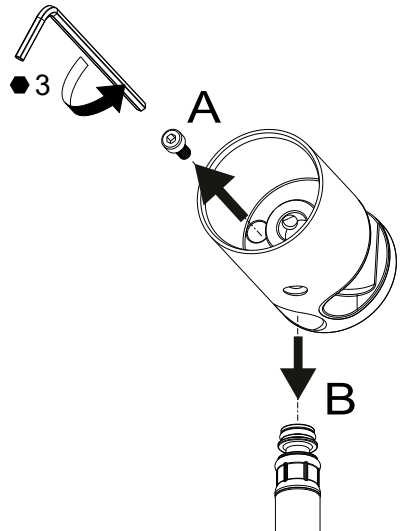
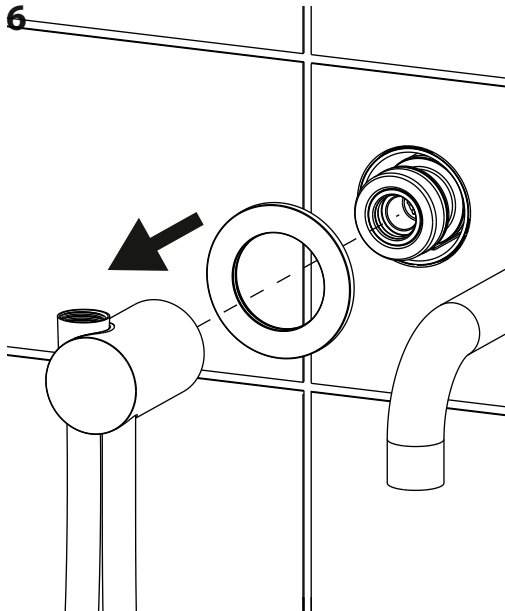


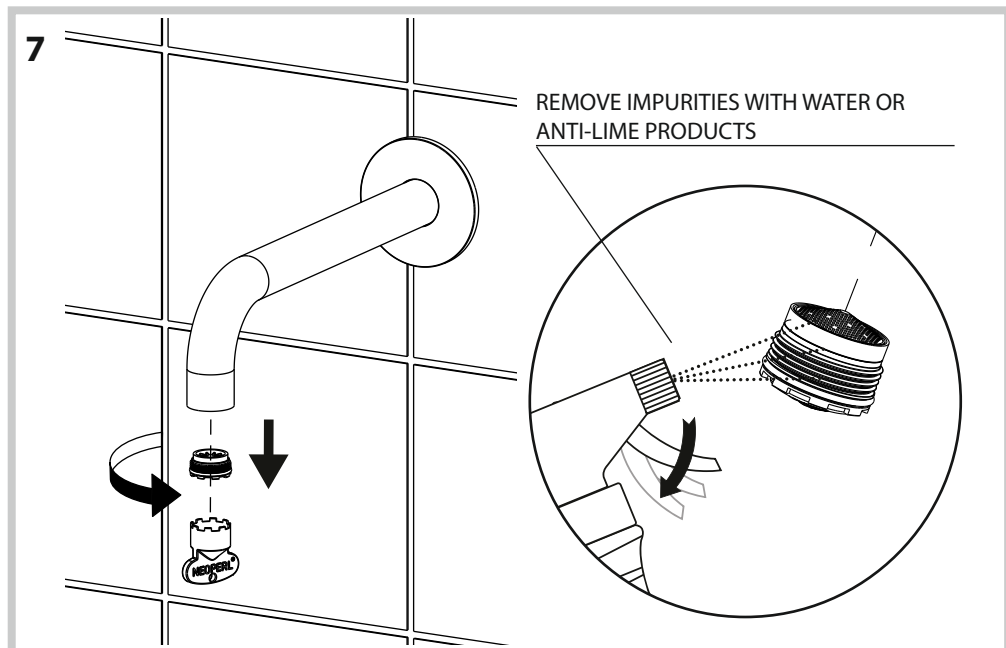
5



6

REPLACE THE FLEX HOSE AND START FROM POINT 9





8

EN | CLEANING

CLEAN SURFACES USING ONLY WATER OR NEUTRAL DETERGENTS AND DRY WITH A SOFT CLOTH. NEVER USE ABRASIVE OR CORROSIVE DETERGENTS OR PRODUCTS CONTAINING HYDROCHLORIC ACID, PHOSPHORIC ACID, AMMONIA OR BLEACH.

DO NOT USE SPONGES OR ABRASIVE CLOTHS.

IT IS RECOMMENDED TO CLEAN THE SURFACES PERIODICALLY, IN ORDER TO NOT CREATE SITUATIONS OF EXCESSIVE DIRT WHICH IS DIFFICULT TO ELIMINATE.

ATTENTION: THE USE OF NOT-RECOMMENDED PRODUCTS MAY IRREPARABLY DETERIORATE SURFACES.

IT | PULIZIA

PULIRE LE SUPERFICI UTILIZZANDO ESCLUSIVAMENTE ACQUA E DETERGENTI NEUTRI ED ASCIUGARE CON UN PANNINO MORBIDO.

NON UTILIZZARE IN NESSUN CASO DETERGENTI O PRODOTTI ABRASIVI, CORROSIVI E CONTENENTI ACIDO CLORIDRICO, FOSFORICO, AMMONIACA O CANDEGGINA.

NON UTILIZZARE SPUGNE O PANNI ABRASIVI.

SI RACCOMANDA DI ESEGUIRE PERIODICAMENTE LA PULIZIA DELLE SUPERFICI, PER NON CREARE SITUAZIONI DI SPORCO ECCESSIVO E DIFFICILE DA ELIMINARE.

ATTENZIONE: L'IMPIEGO DI PRODOTTI NON CONSIGLIATI PUÒ DETERIORARE IRRIMEDIABILMENTE LE SUPERFICI.

