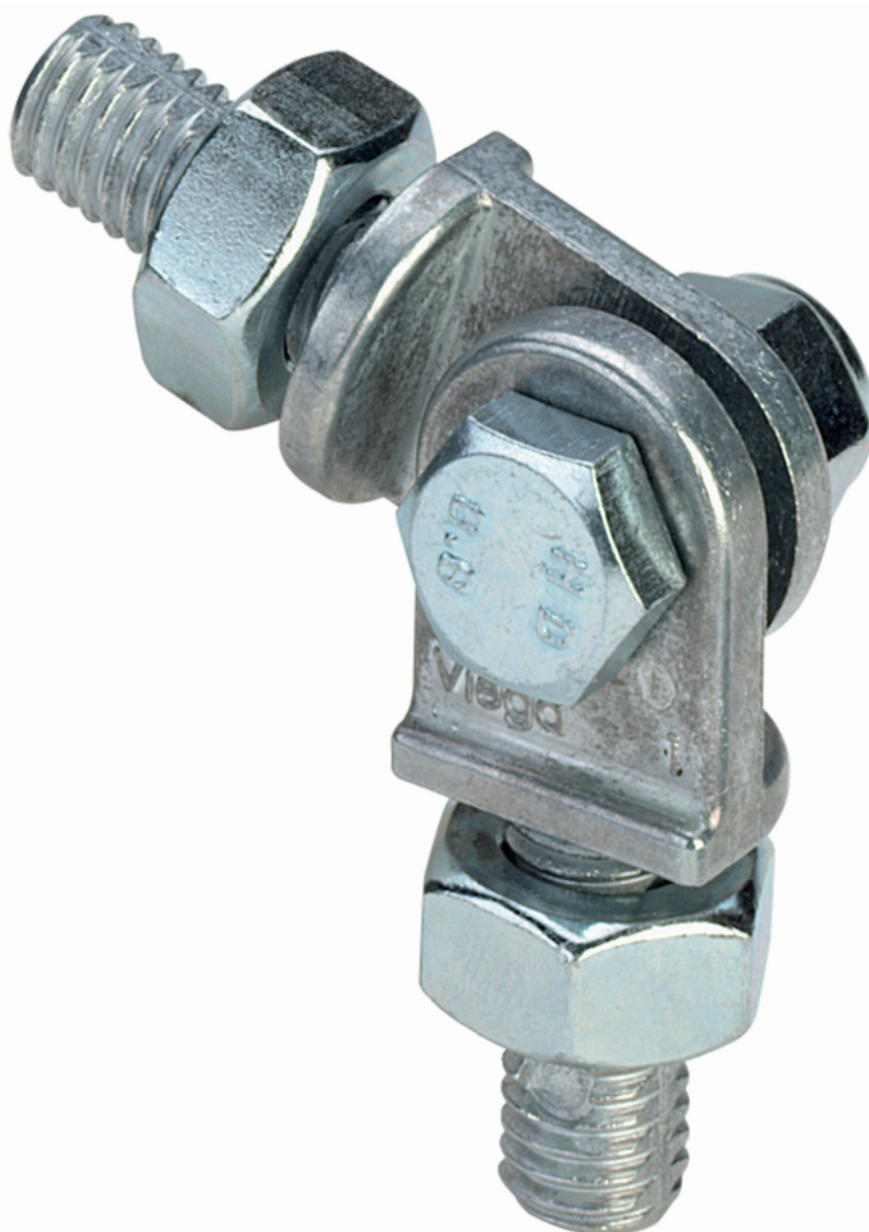


Steptec mounting joint

Instructions for Use



for continuous angle setting from 0–180°, fixing of mounting rails to roof slope

Model
8411

Year built:
from 04/2004

en_INT

viega

Table of contents

1	About these instructions for use	4
1.1	Target groups	4
1.2	About this translated version	4
2	Product information	5
2.1	Intended use	5
2.1.1	Areas of use	5
3	Handling	6
3.1	Assembly information	6
3.1.1	Required tools	6
3.2	Assembly	6
3.3	Disposal	6

1 About these instructions for use

Trade mark rights exist for this document, further information can be found at viega.com/legal.

1.1 Target groups

The information in this instruction manual is directed at the following groups of people:

- heating and sanitary professionals and trained personnel

It is not permitted for individuals without the abovementioned training or qualification to mount, install and, if required, service this product. This restriction does not extend to possible operating instructions.

The installation of Viega products must take place in accordance with the general rules of engineering and the Viega instructions for use.

1.2 About this translated version

This instruction for use contains important information about the choice of product or system, assembly and commissioning as well as intended use and, if required, maintenance measures. The information about the products, their properties and application technology are based on the current standards in Europe (e. g. EN) and/or in Germany (e. g. DIN/DVGW).

Some passages in the text may refer to technical codes in Europe/Germany. These should serve as recommendations in the absence of corresponding national regulations. The pertinent national laws, standards, regulations and guidelines, as well as other technical guidelines, have priority over German/European guidelines in this manual: The information is not binding for other countries and territories and should, as mentioned, be considered as support.

2 Product information

2.1 Intended use

2.1.1 Areas of use

The mounting joint is intended for the connection of two Steptec rail connectors for the fixing of a mounting rail to a roof slope.

3 Handling

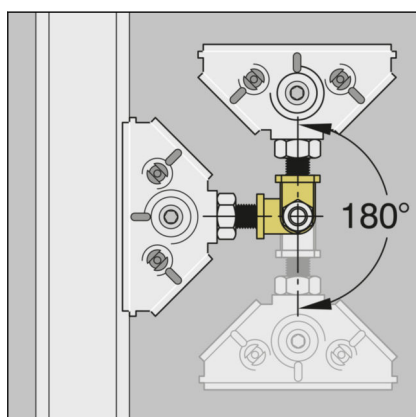
3.1 Assembly information

3.1.1 Required tools

The following tools are required for mounting:

- Allen key: 5 mm

3.2 Assembly



INFO! The yellow blocking elements are factory-fitted onto the short side of the Steptec connector. The blocking elements prevent that the mounting rail is pressed together at the fixing point when the screw is tightened. If the long side of the connector is to be mounted onto the open side of the rail, place a blocking element from the short side onto the long side.

- Screw in the mounting joint on both sides on the rail connector.

Tighten on the connectors with a ring spanner (WS 17).

Connections with an angle of up to 180° can be made using the joint.

- Place a connector onto the rail.

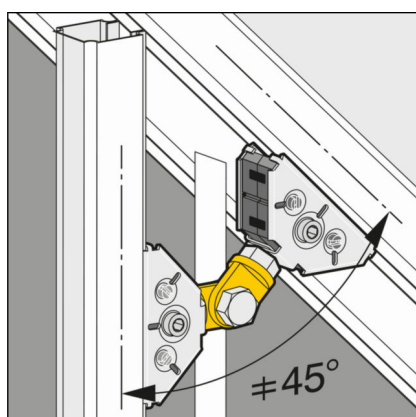
⇒ The connector clicks audibly into place.

- Place the second connector onto the other rail.

- When both connectors are correctly positioned, secure everything:

Tighten the connectors with an Allen key.

Tighten the joint nut with a ring spanner (SW 17).



3.3 Disposal

Separate the product and packaging materials (e. g. paper, metal, plastic or non-ferrous metals) and dispose of in accordance with valid national legal requirements.