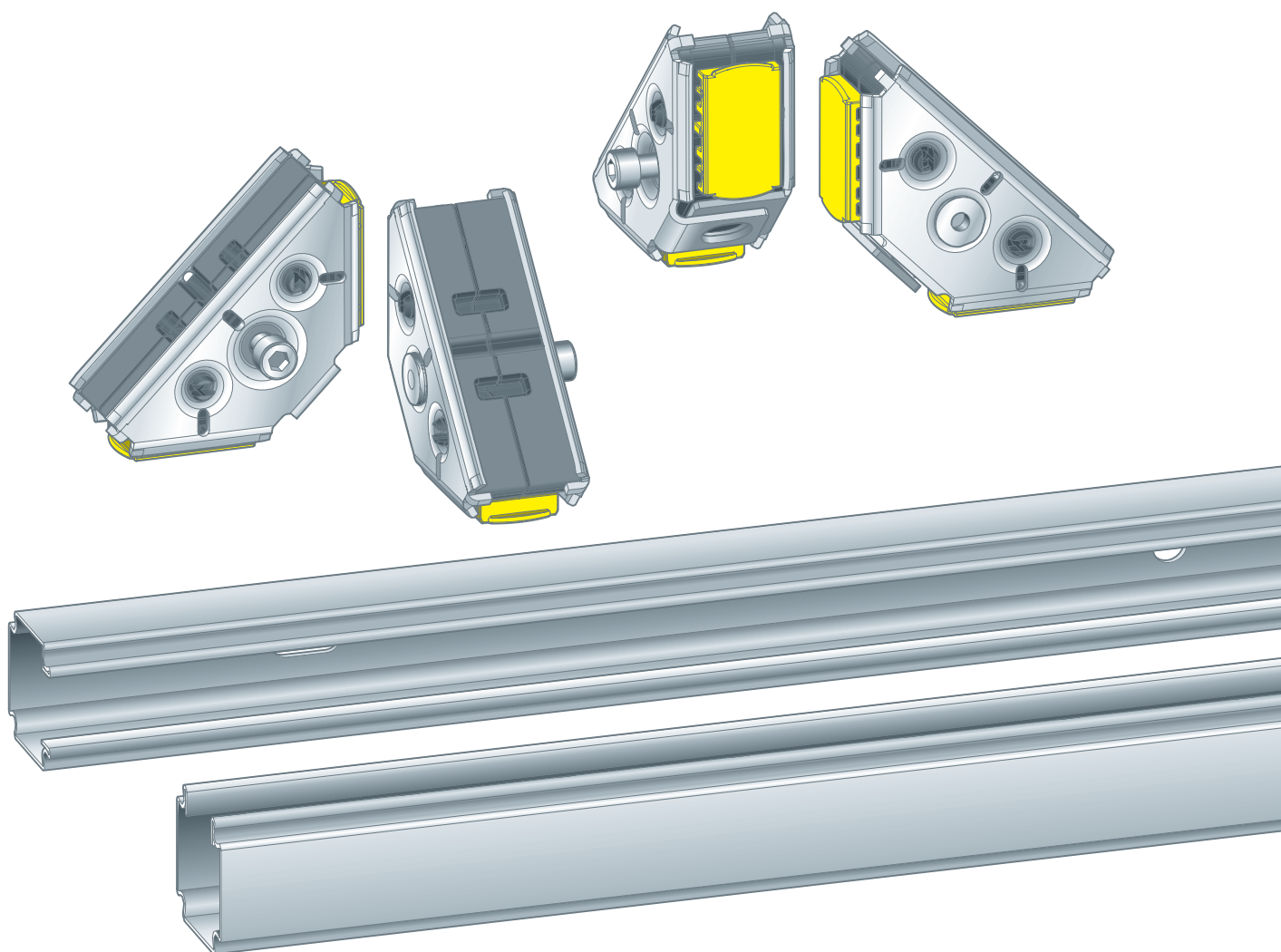


Prevista Dry Plus pre-wall system

Instructions for Use



Year built:
from 03/2019
en_INT

Table of contents

1	About these instructions for use	4
1.1	Target groups	4
1.2	Labelling of notes	4
1.3	About this translated version	5
2	Product information	6
2.1	Standards and regulations	6
2.2	Intended use	6
2.2.1	Areas of use	6
2.2.2	Using components	6
2.3	Product description	7
2.3.1	Overview	7
2.3.2	Mounting versions	7
2.4	Optional accessories	21
3	Handling	23
3.1	Assembly information	23
3.1.1	Mounting conditions	23
3.1.2	Processing rules	24
3.1.3	Required material and tools	26
3.1.4	Installation dimensions	27
3.2	Assembly	34
3.2.1	Cutting rails to length	34
3.2.2	Attach wall and floor rails	34
3.2.3	Mounting connectors	37
3.2.4	Rounding off jobs	39
3.3	Disposal	43

1 About these instructions for use

Trade mark rights exist for this document; for further information, go to viega.com/legal.

1.1 Target groups

The information in this instruction manual is directed at the following groups of people:

- Heating and sanitary professionals and trained personnel
- Drywall builder

Individuals without the abovementioned training or qualification are not permitted to mount, install and, if required, maintain this product. This restriction does not extend to possible operating instructions.

The installation of Viega products must take place in accordance with the general rules of engineering and the Viega instructions for use.

1.2 Labelling of notes

Warning and advisory texts are set aside from the remainder of the text and are labelled with the relevant pictographs.



DANGER!

This symbol warns of possible life-threatening injury.



WARNING!

This symbol warns of possible serious injury.



CAUTION!

This symbol warns of possible injury.



NOTICE!

This symbol warns of possible damage to property.



This symbol gives additional information and hints.

1.3 About this translated version

This instruction for use contains important information about the choice of product or system, assembly and commissioning as well as intended use and, if required, maintenance measures. The information about the products, their properties and application technology are based on the current standards in Europe (e.g. EN) and/or in Germany (e.g. DIN/DVGW).

Some passages in the text may refer to technical codes in Europe/Germany. These should serve as recommendations in the absence of corresponding national regulations. The relevant national laws, standards, regulations, directives and other technical provisions take priority over the German/European directives specified in this manual: The information herein is not binding for other countries and regions; as said above, they should be understood as a recommendation.

2 Product information

2.1 Standards and regulations

The following standards and regulations apply to Germany / Europe and are provided as a support feature.

Regulations from section: Fields of application / Mounting conditions

Scope / Notice	Regulations applicable in Germany
Suitable masonry walls	EN 1996-1-1
Suitable concreted walls	DIN 1045

2.2 Intended use

2.2.1 Areas of use

The Prevista Dry Plus system is intended for the creation of partial or room-height pre-wall and partition constructions.

2.2.2 Using components

The Prevista Dry Plus system includes:


- mounting rails
- Connector
- Modules
- Prevista Dry elements
- Fitting holders
- Prevista Dry Plus punch
- Accessories
- Pre-wall finish

Prevista Dry Plus rails and Prevista Dry Plus connectors are the basis for mounting the pre-wall or partition construction. Both components are adapted to one another.

Apart from the mounting rails, the Prevista Dry Plus complete package contains all of the components required to mount the desired size, flexibly and irrespective of possible unevenness of the walls.

You can find more information about the optional accessories in the Viega product catalogue.

Fault-free functioning is guaranteed only in combination with Viega original parts.

See  „Calculation of required material quantities“ on page 26 for the correct calculation of the material.

2.3 Product description

2.3.1 Overview

Scope of delivery complete package

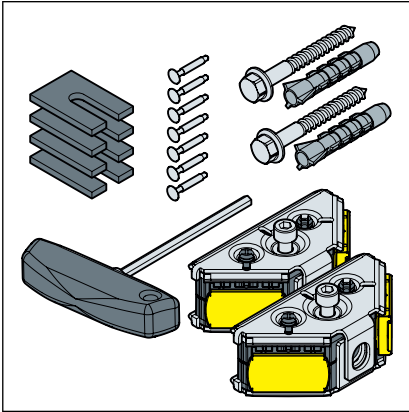


Fig. 1: Complete package

The complete package contains:

- Prevista Dry Plus connectors
- fixing material for the mounting rails
- levelling material for uneven walls and floors
- screws (self-drilling) for gypsum plasterboard cladding panels

The complete package is available for 1, 3, 5 and 10 m² areas to be clad.

Mounting rail

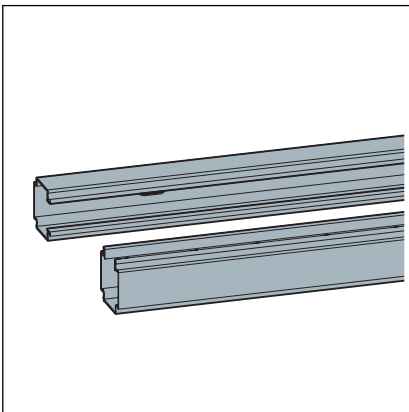


Fig. 2: Mounting rail

The mounting rail made of galvanized steel is 5 m long, open on one side and perforated every 30 cm for wall and floor mounting.

Modules and elements

The system comprises various modules and elements, and these can be integrated into the rail system as required. The modules are 420 mm wide.

2.3.2 Mounting versions

You have the possibility of assembling the pre-wall construction in the desired place or pre-mounting it. The construction can be installed in the desired place by means of a Prevista Dry Plus mounting angle. Observe the specifications in this chapter.



Observe the specified minimum and maximum sizes with all mounting versions.

Half-height pre-wall

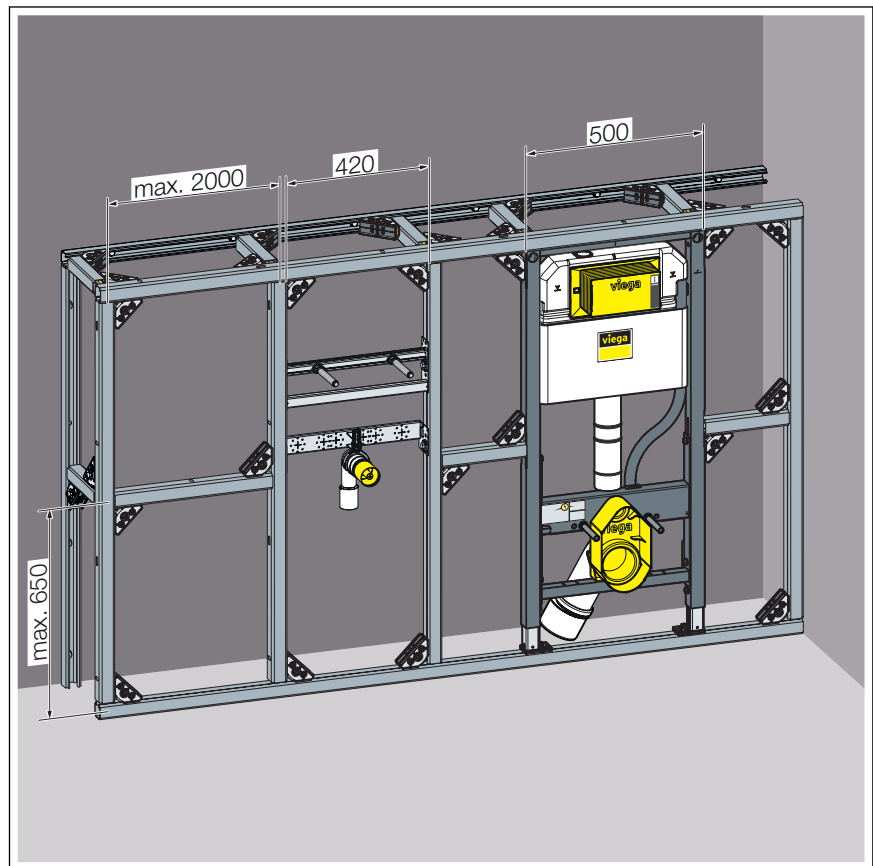


Fig. 3: Installation dimensions half-height pre-wall

Room-height pre-wall

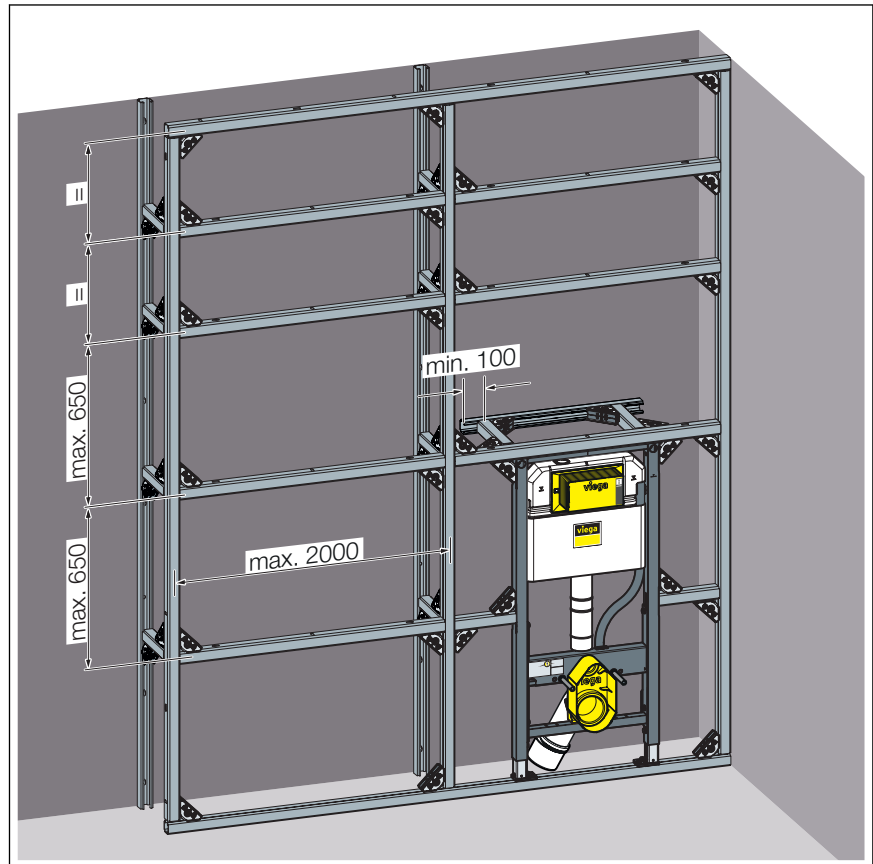


Fig. 4: Installation dimensions room-height pre-wall

Barrier-free mounting

When using support hinged handles for barrier-free WCs, greater forces act on the pre-wall construction. These forces are intercepted by the additional fixing elements (model 8570.32).

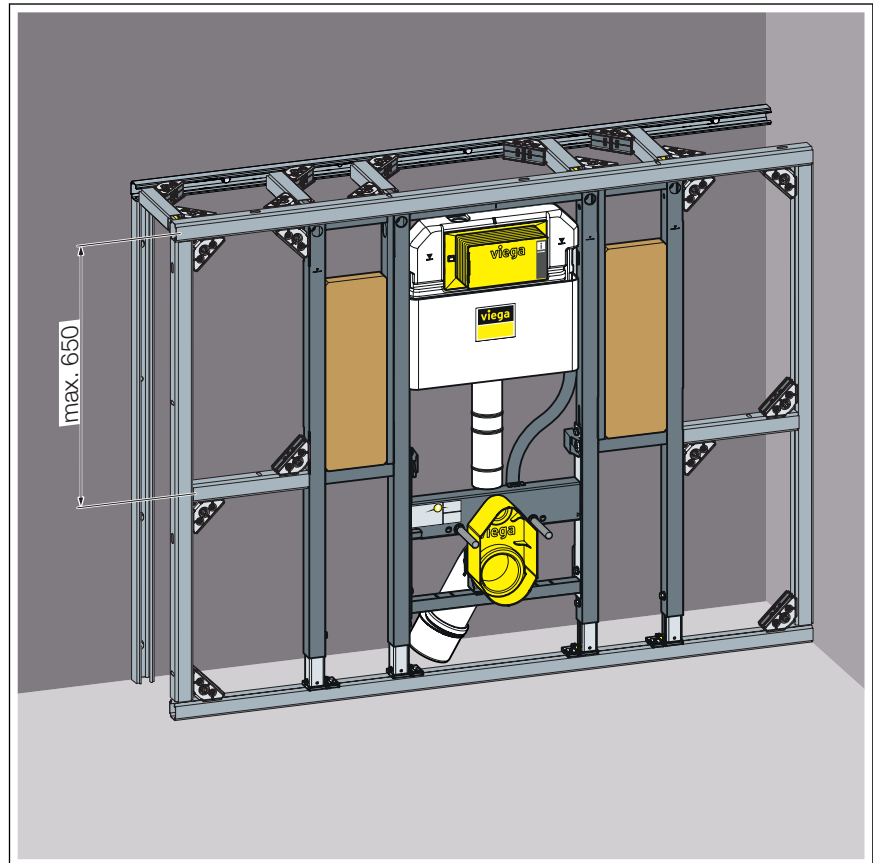


Fig. 5: Barrier-free mounting, version 1

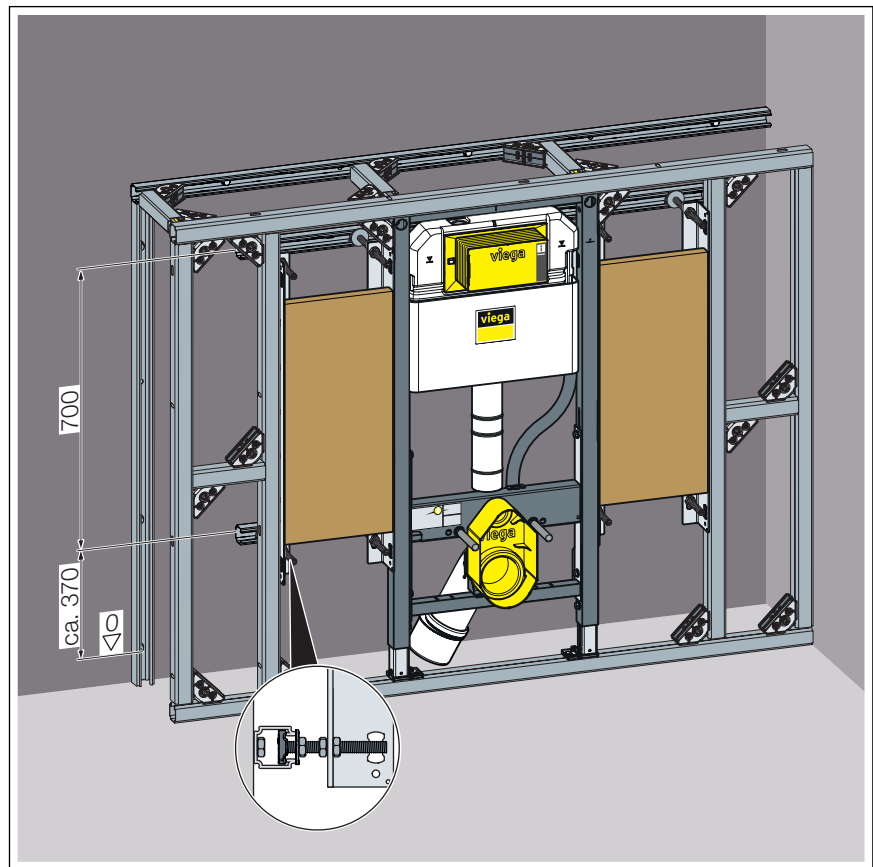


Fig. 6: Barrier-free mounting, version 2

The fixing element has factory-fitted fasteners, which can be mounted directly onto the mounting rail. This version does not require an additional rail at the front. Two additional horizontal rails are placed on the wall.

Corner mounting

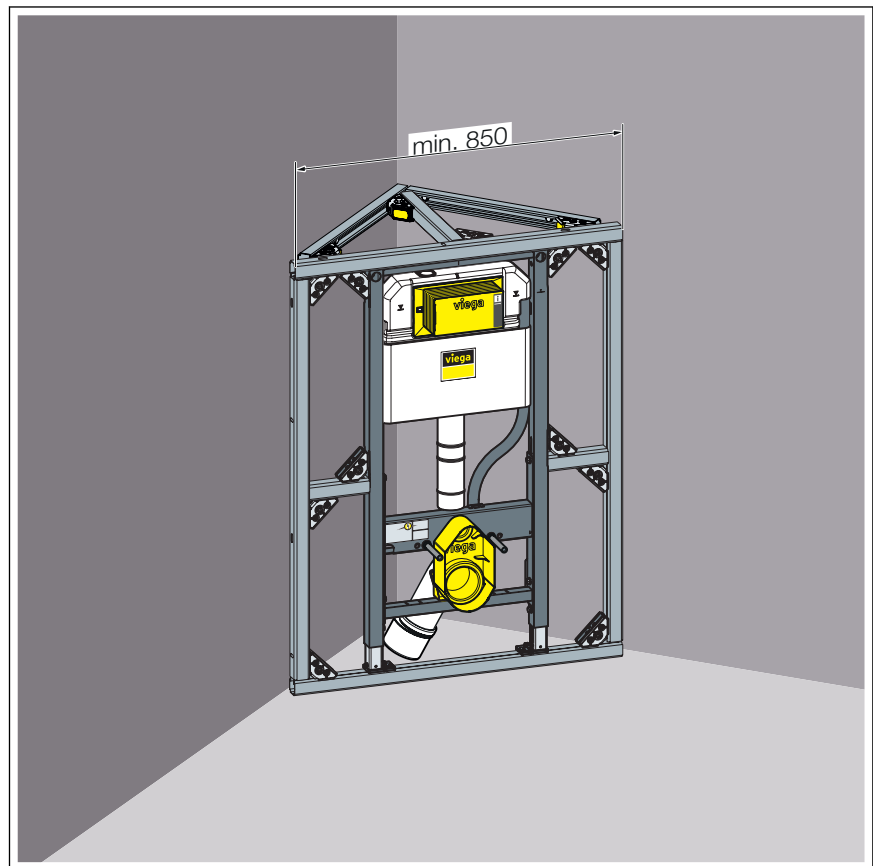


Fig. 7: Installation sizes corner mounting

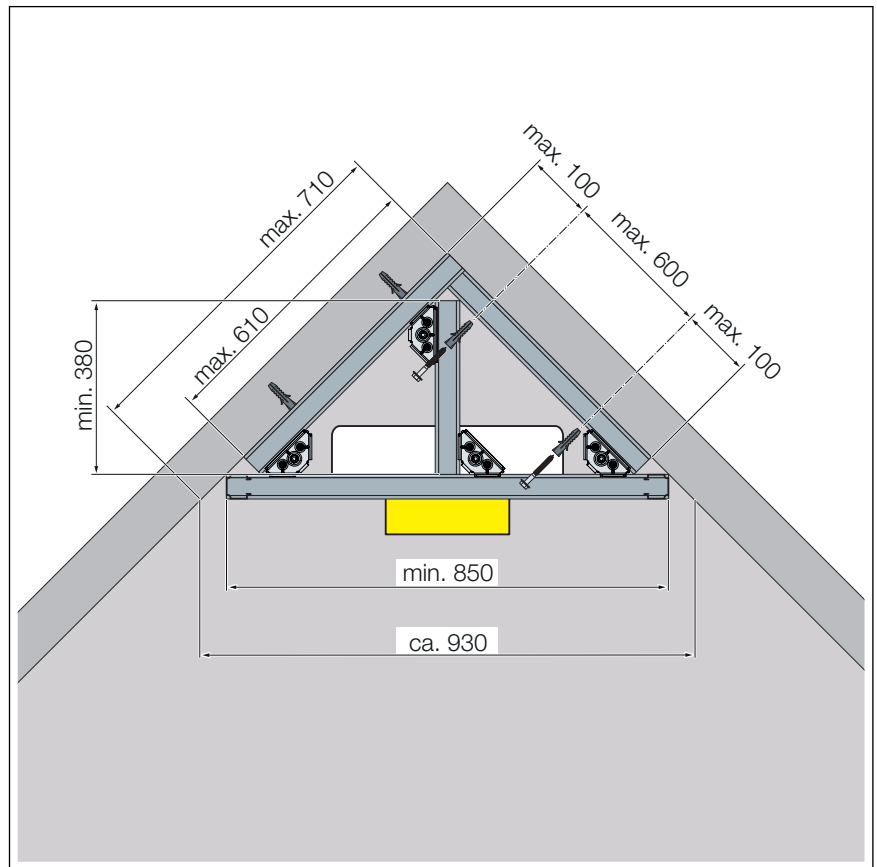


Fig. 8: Installation sizes corner mounting

Half-height, one-sided closed room partition

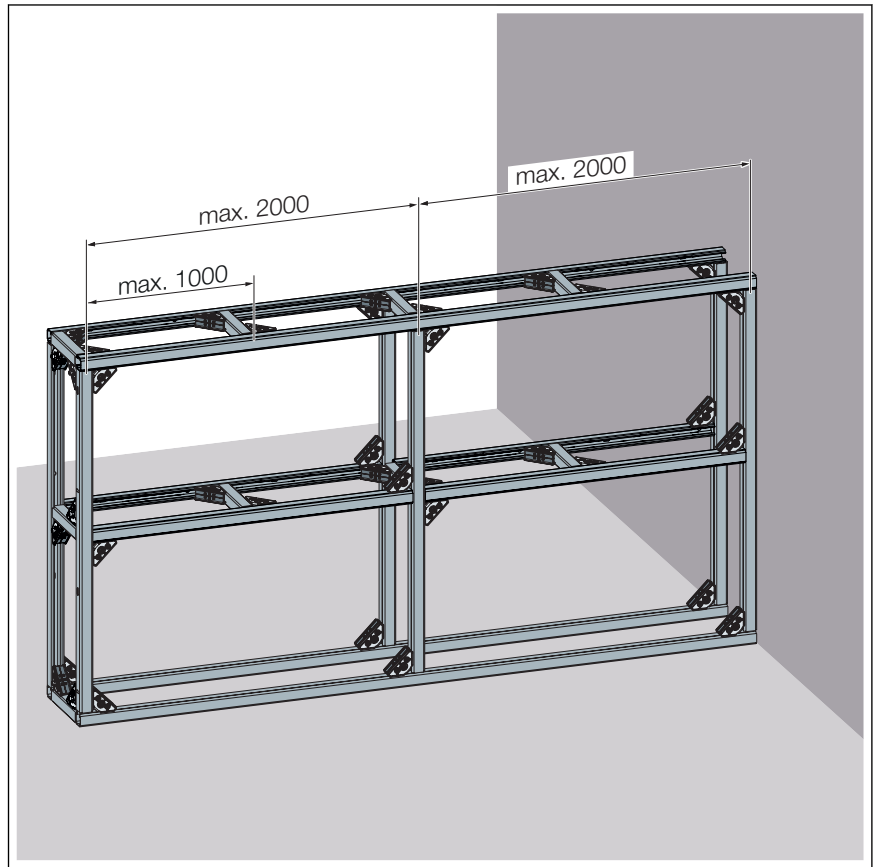


Fig. 9: Installation dimensions half-height room partition (one-sided connected)

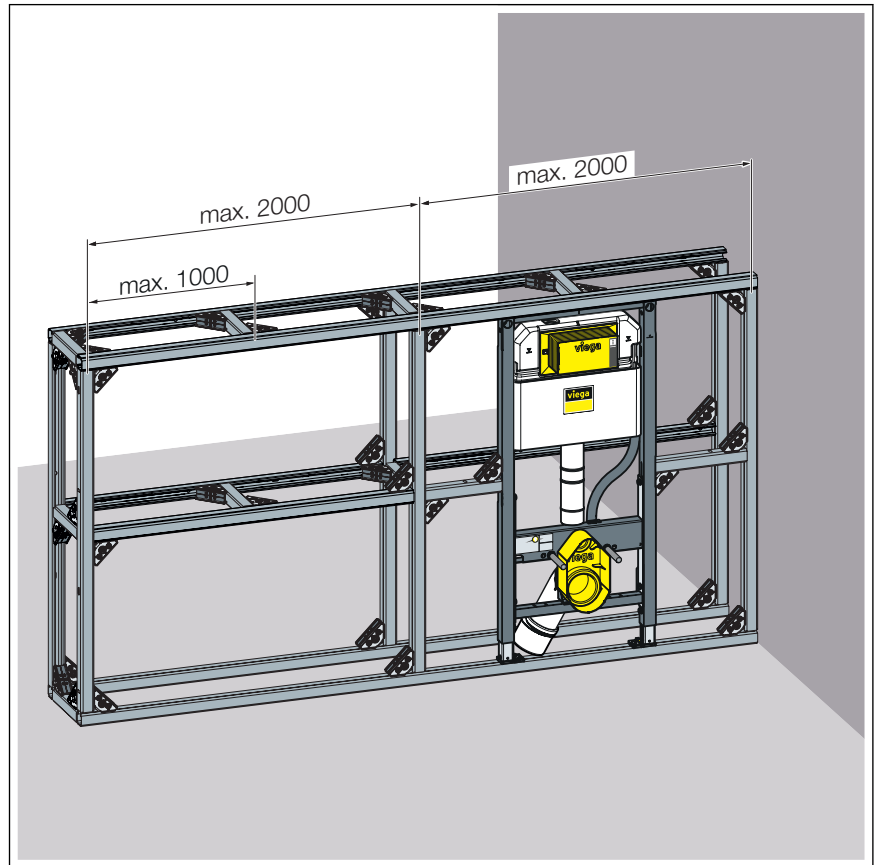


Fig. 10: Installation dimensions of half-height room partition with element (connected on one side)

Half-height, free-standing room partition

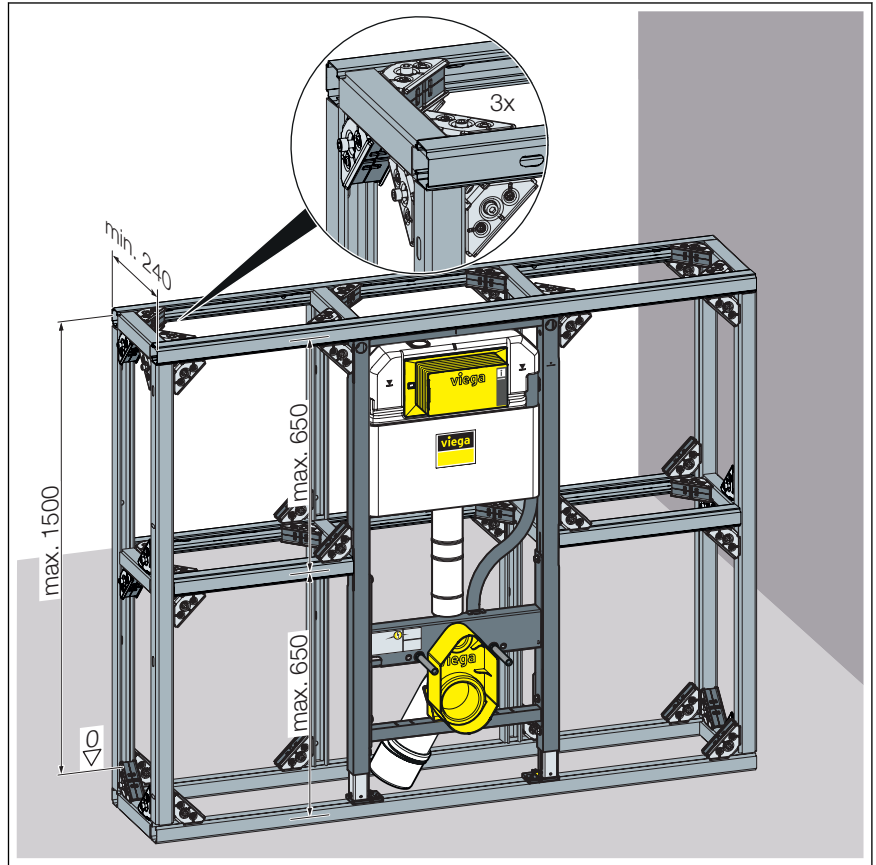


Fig. 11: Installation dimensions half-height room partition (free-standing)

Low construction height

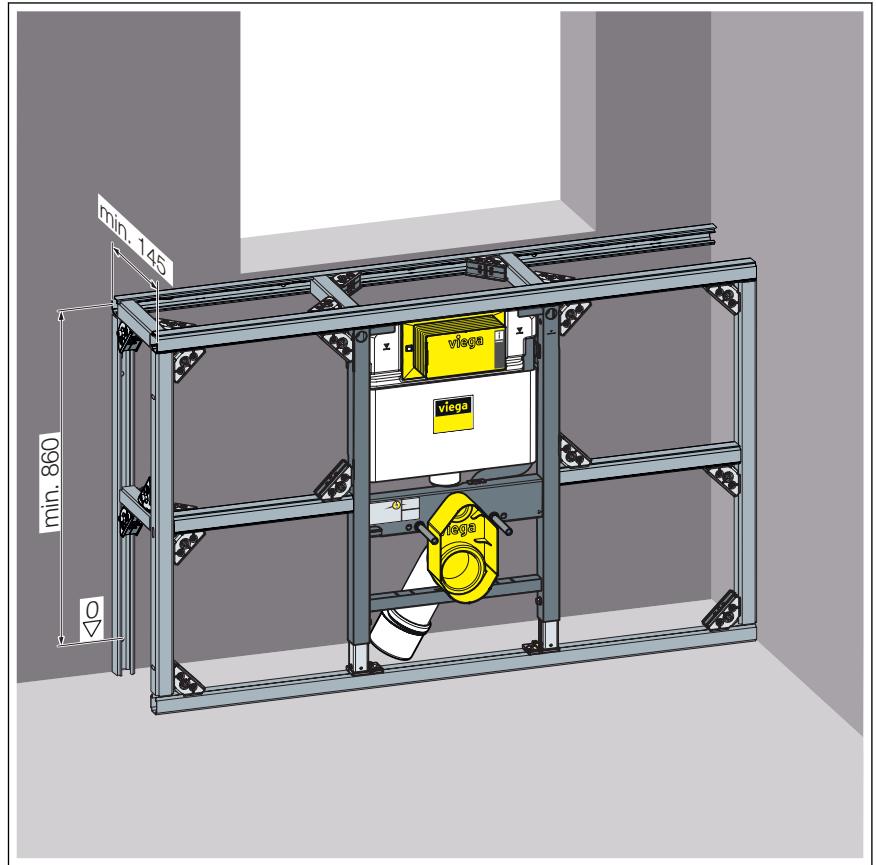


Fig. 12: Installation dimensions of low construction height (actuation from front)

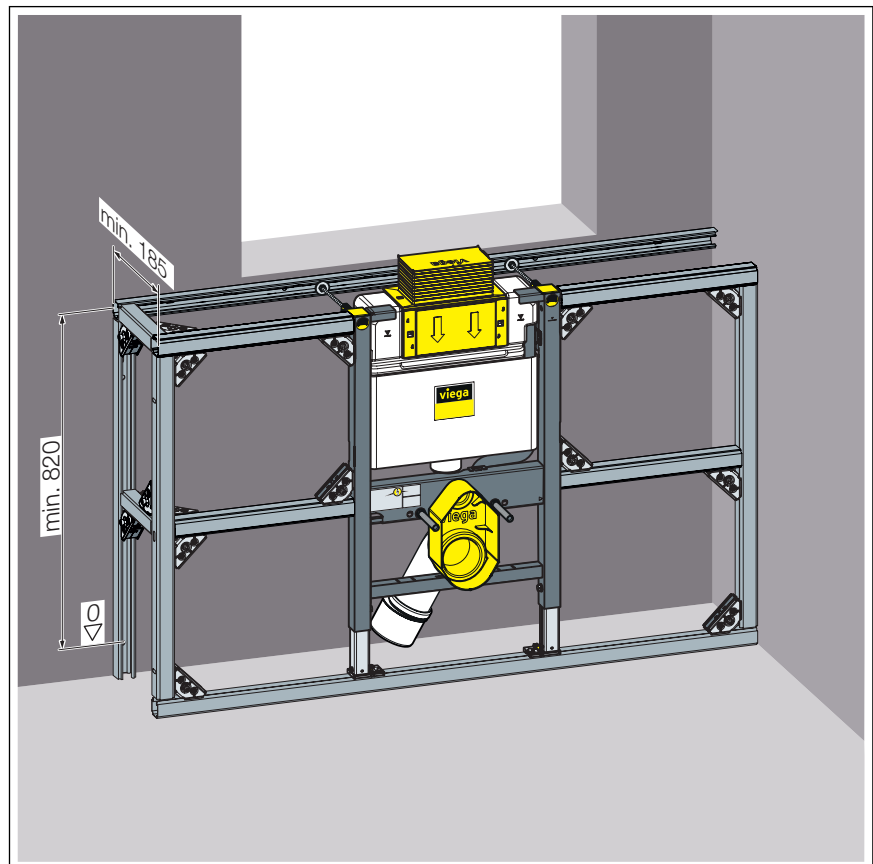


Fig. 13: Installation dimensions of low construction height (actuation from above)



When installing the low WC element with actuation from above, fixing set model 8570.49 is required in addition.

Partition and room-height room partition

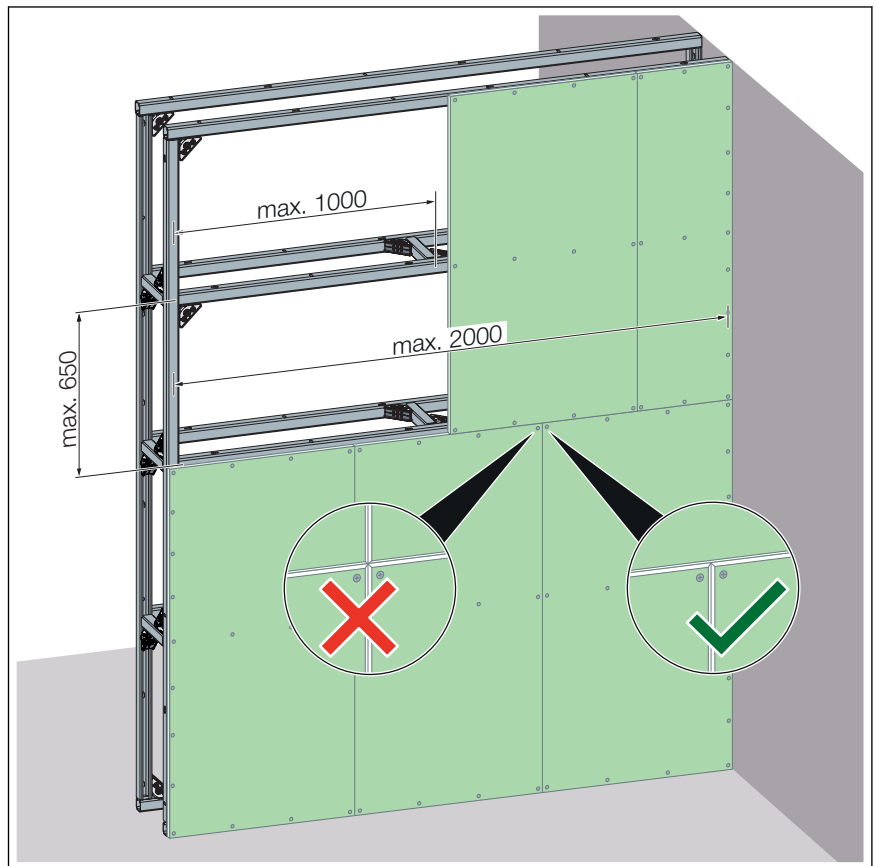


Fig. 14: Installation dimensions partition and room-height room partition

Pre-wall on the roof slope

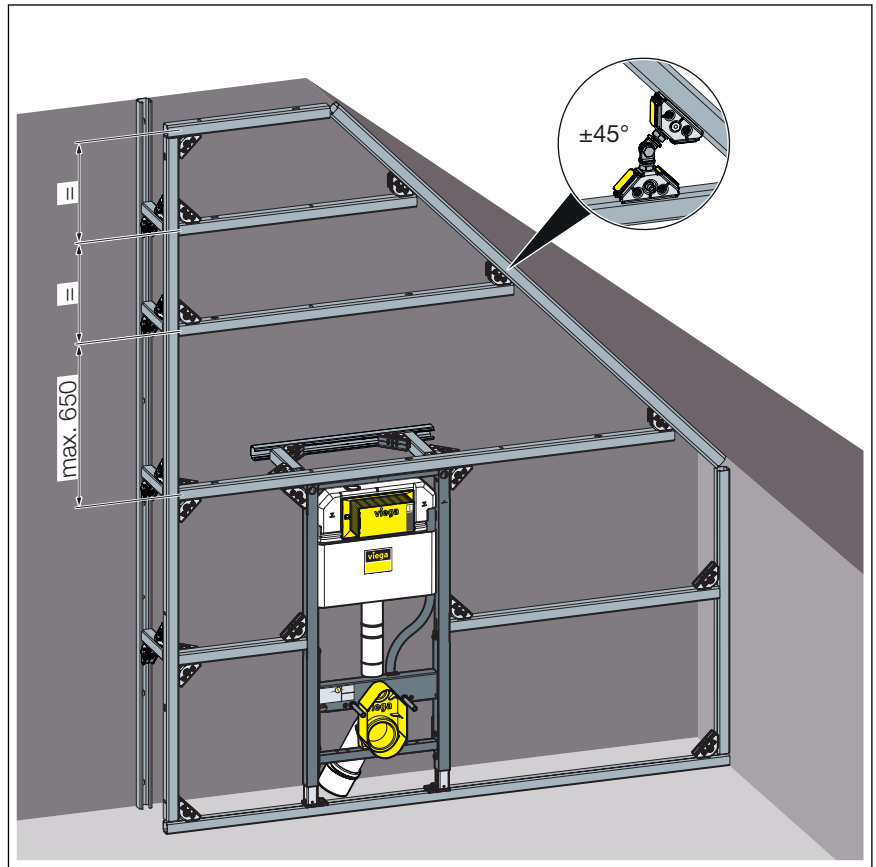


Fig. 15: Installation dimensions pre-wall on the roof slope

Partition and room partition on the roof slope

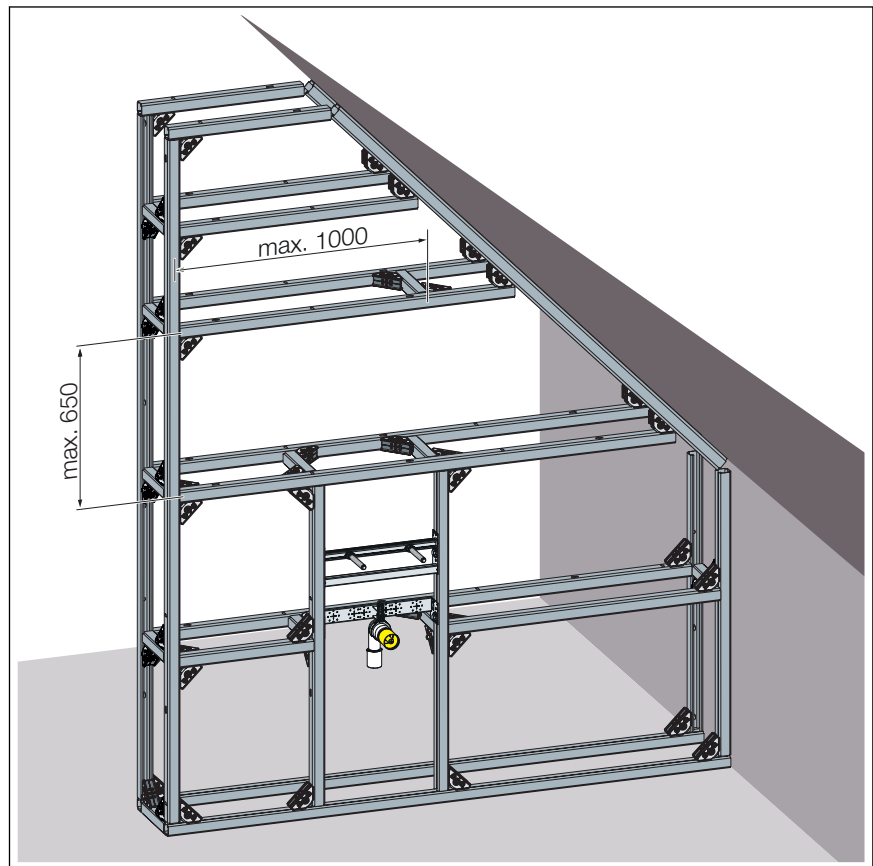


Fig. 16: Installation dimensions partition on the roof slope

2.4 Optional accessories

There are special Prevista Dry Plus modules available for various requirements. They can be supplemented by further modules, fitting holders and other accessories.

- Washbasin modules
- Urinal module
- Accessories for barrier-free mounting
- Cladding panels

The following accessories are available for special mounting procedures:

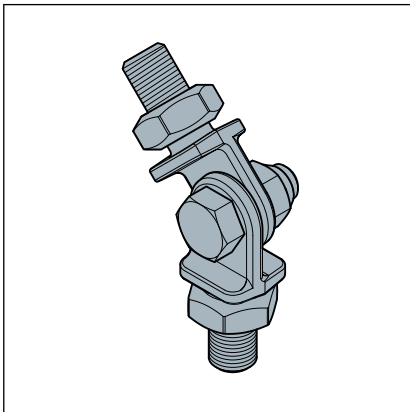


Fig. 17: Prevista Dry Plus joint

Prevista Dry Plus mounting joint for the continuous angle setting when mounting on roof slopes:

The Prevista Dry Plus joint offers the option of connecting two rails together at angles other than 45° or 90°. The joint can be mounted as a connection piece between two Prevista Dry Plus connectors, e.g. during the pre-wall installation on wall slopes.

The joint can be set continuously at angle sizes up to 180°.

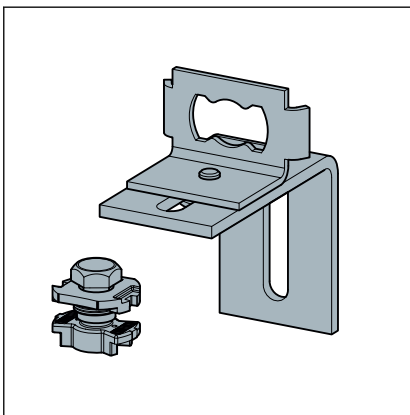


Fig. 18: mounting angle

Prevista Dry Plus mounting angle for the wall connection of a pre-fabricated Prevista Dry Plus wall.

Further information can be found in the Viega product catalogue.

3 Handling

3.1 Assembly information

3.1.1 Mounting conditions

Suitable walls / surfaces

The Prevista Dry Plus pre-wall system can be mounted to masonry or concrete walls which comply to the regulations listed in section ↗ „Regulations from section: Fields of application / Mounting conditions“ on page 6.

Construction height

With the construction height, the marked height of the upper edge of the finished floor must be observed.

Minimum intervals

Minimum and maximum intervals for the corresponding variation can be found in chapter ↗ Chapter 2.3.2 „Mounting versions“ on page 7.

The rails, between which a Prevista Dry Plus module or fitting holder should be mounted, must be fitted at an interval of 420 mm from one another.

During planning, observe the instructions of the sanitary object manufacturer.

Fire protection

The declaration of conformity to the installation shaft must be observed for the fire protection requirements.

3.1.2 Processing rules

Intervals between the rails

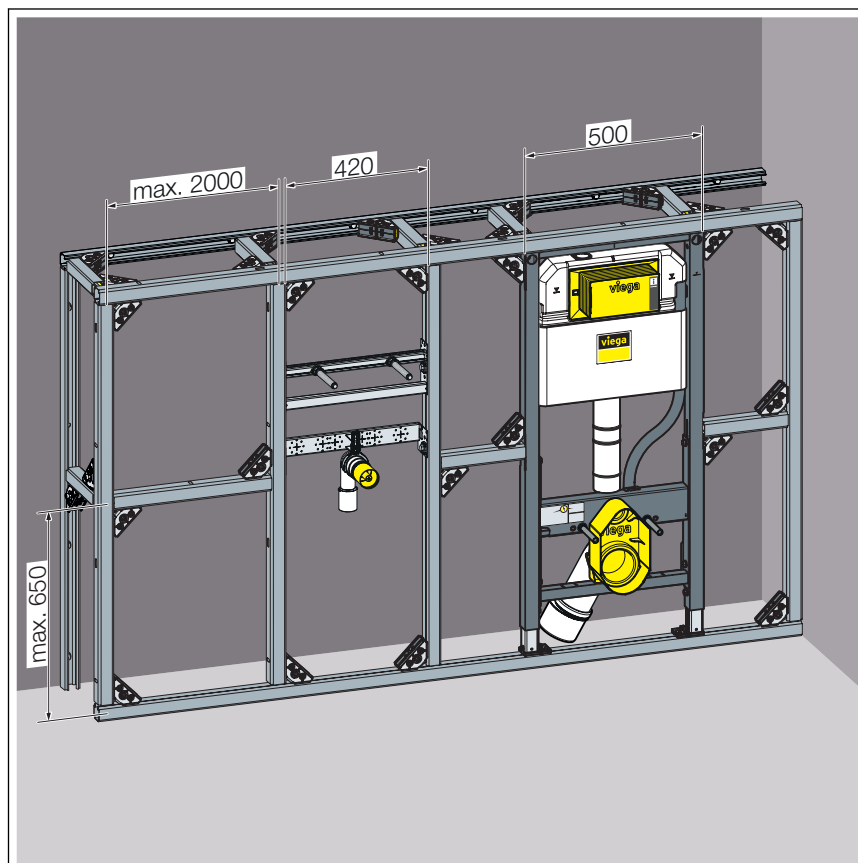


Fig. 19: Interval between vertical rails

Observe following intervals:

- The vertical rails, which will later surround a module, must be at an interval of 420 mm to one another.
- The maximum distance between two horizontal rails from centre of rail to centre of rail is 650 mm and the maximum length is 2.00 m.
- The minimum interval between two rails, which surround different modules, depends on the fittings that are subsequently fitted. Observe also the information provided by the sanitary object manufacturer.

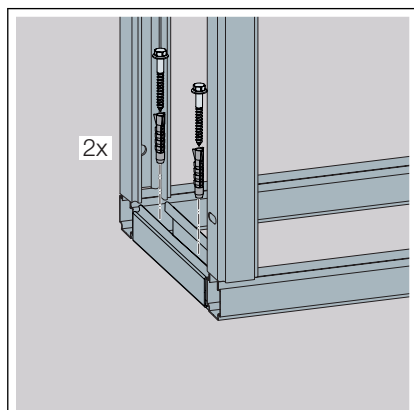
Fixing rails

Every rail must be securely mounted at the prescribed point. There are two possibilities:

- Mount the rails securely on the wall.
- Stabilise the rails using at least two connectors.

Free-standing pre-wall constructions

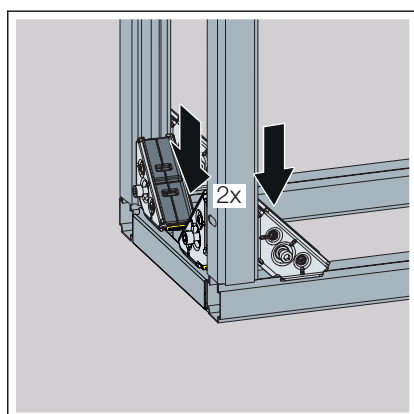
Observe the following information about fixing the floor rails:



With free-standing pre-wall constructions, all floor rails must be fastened to the floor using the fixing material supplied. Even the short rails must be fastened using at least two screws.

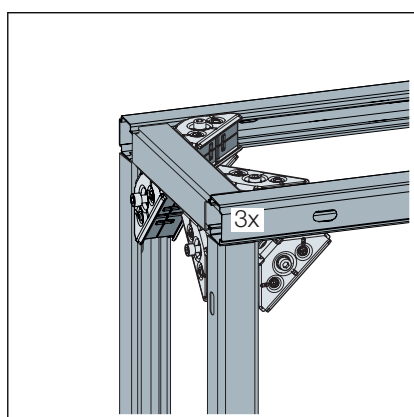
Observe the following information about the number of connectors:

Fig. 20: Floor rail



Stabilise each corner of the floor rails using two connectors.

Fig. 21: Connector below



Stabilise each upper corner using three connectors.

Fig. 22: Connector top

3.1.3 Required material and tools

Calculation of required material quantities

The material quantity is specified in two steps based on the pre-wall area in m².

The required rail length can be calculated from the area (in m²) multiplied by the rail factor 4. The individual rails are available in lengths of 5 m.

The rest of the required components are available in the complete package, which is available for areas sized 1, 3, 5 or 10 m². The complete packages can be combined to suit the pre-wall area.

Example 1

Area to be planked = 2.7 m²

Required material quantities:

- 3 m² complete package
- Three mounting rails each 5 m in length (2.7 [m²] x 4= 10.8)

Example 2

Area to be clad = 5.5 m²

Required material quantities:

- 5 m² complete package and one 1 m² complete package
- 5 mounting rails each 5 m in length (5.5 [m²] x 4= 22)

Required tools

A suitable tool is required to cut the rails to length.

Viega recommends the Prevista Dry Plus punch for processing the mounting rails. The rail can be shortened or punched free from burrs at any point using the punch.

Further information on the use of the Prevista Dry Plus punch can be found here [↗ Chapter 3.2.1 „Cutting rails to length“ on page 34](#) and in the instructions accompanying the punch.

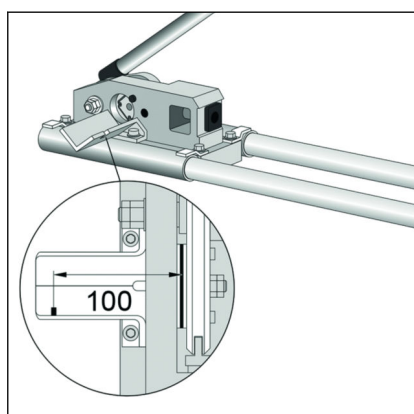


Fig. 23: Prevista Dry Plus punch

3.1.4 Installation dimensions



- All dimensional information in mm.
- All specifications are in regards to installation depths without cladding and tiles.

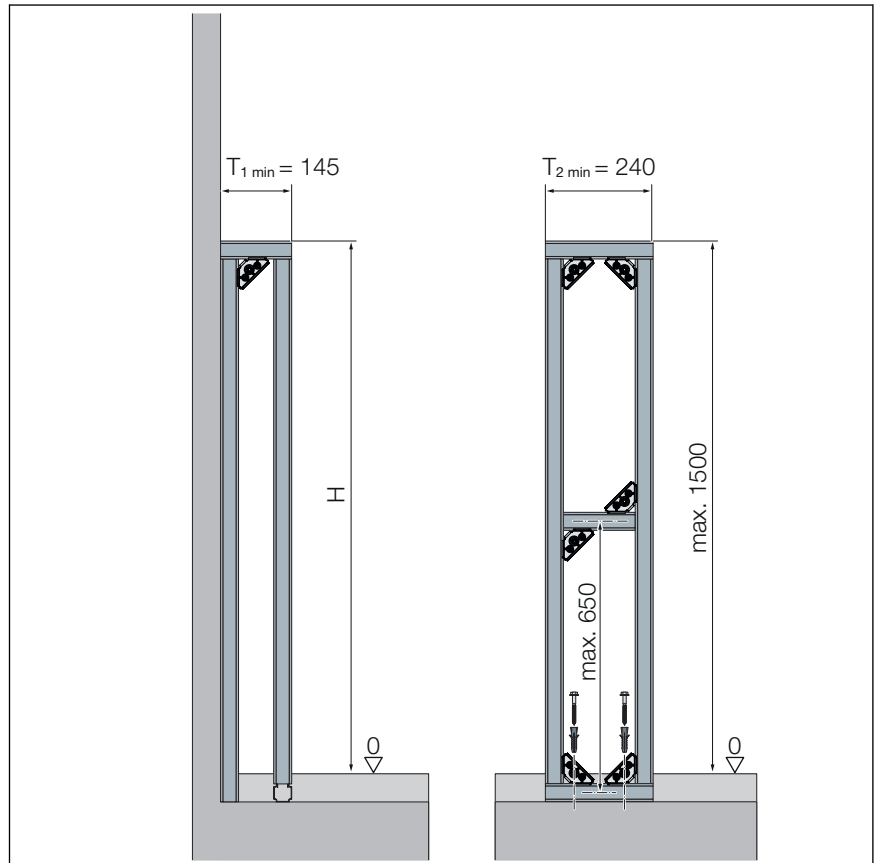


Fig. 24: Half-height pre-wall

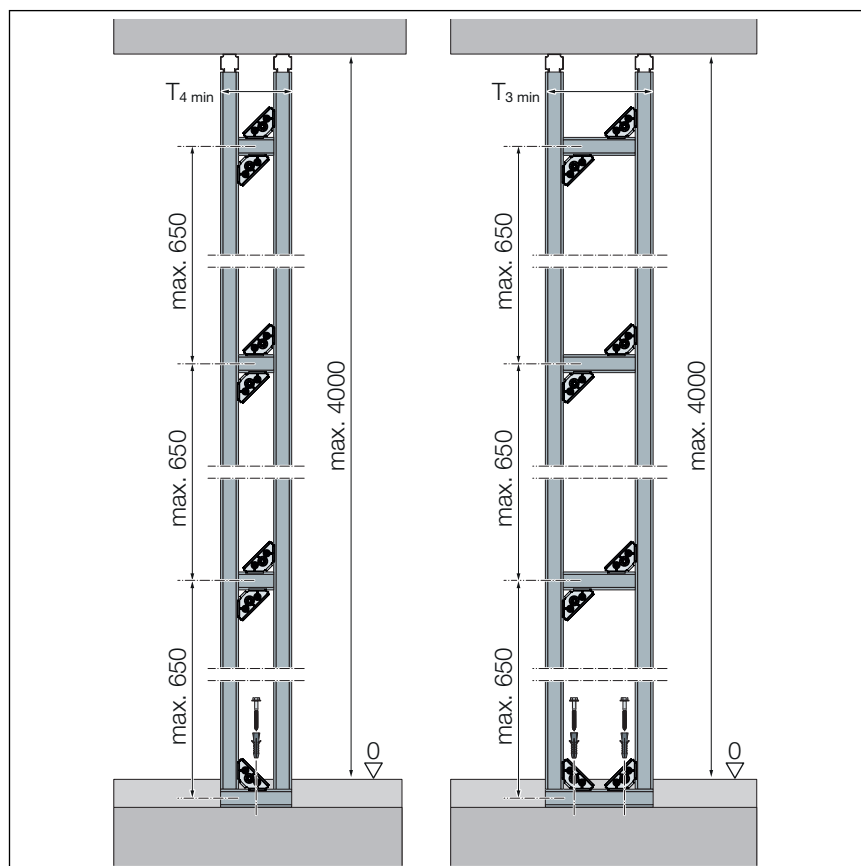


Fig. 25: Partition

	Model	Art. no.	H standard	T1 (*) min.	T2 min.	T3 room-high min.	T4 room-high min.
WC	8522	771 980	1120	150	240	210	210
	8521	771 997	1120	150	240	210	210
	8521.32	772 024	1120	215	240	300	300
	8522.31	772 031	1120	200	240	260	260
	8522.33	772 048	1120	150	240	210	210
	8530	772 000	980	150	240	210	210
	8533	772 017	820	150	240	210	210
Washbasin	8540	776 220	1300	145 (100)	240	165	145
	8540.31	776 237	1300	145 (100)	240	165	145
	8540.32	776 039	1300	145 (100)	240	165	145
	8535	776 183	1120	145 (100)	240	165	145
	8536	776 046	1120	145 (100)	240	165	145
	8535.33	776 206	1120	145 (100)	240	165	145

* Collective connection pipeline DN100

	Model	Art. no.	H standard	T1 (*) min.	T2 min.	T3 room-high min.	T4 room-high min.
	8535.32	776 213	1120	145 (100)	240	165	145
	8535.31	776 190	820–980	145 (100)	240	165	145
	8536.31	776 251	820–980	145 (100)	240	165	145
	8537	776 268	1120	145 (100)	240	165	145
	8537.31	776 275	1120	145 (100)	240	165	145
	8538	789 329	1120	145 (100)	240	165	145
	8540.33	776 282	1300	145 (100)	240	165	145
Urinal	8560	776 404	1300	145 (100)	240	165	145
	8560.32	776 411	1120–1300	145 (100)	240	165	145
	8560.31	776 428	1120–1300	145 (100)	240	165	145
Bidet	8568	776 442	1120	145 (100)	240	210	145

* Collective connection pipeline DN100

Two-sided coverage, for room partition, half-height, T2 min.

Two-sided coverage, for partition, half-height, T3 min.

	Modell	Art.-Nr.	Bauhöhe H	WC	Waschtisch	Urinal	Bidet	Armaturent Träger			
WC	8522	771 980	1120	772 000	-	280*	280*	220*			
	8521	771 997		771 997					300*	776 435	
	8530	772 000		771 980					-	776 428	240*
Waschtisch	8540	776 220	1300	-	776 213	280*	240*	-			
	8540.31	776 237			776 206				-		
	8540.32	776 039			776 046						
	8540.33	776 282			776 183						
	8537	776 268			776 329						
	8537.31	776 275			776 275						
	8538	789 329			776 268						
	8535	776 183			776 039						
	8536	776 046			776 282						
	8535.33	776 206			776 237						
Urinal	8560	776 404	1120-1300	280*	-	-	-	-			
	8560.32	776 411							280*		
	8560.31	776 428									
	8565	776 435								220*	
	8568	776 442								280*	240*
	8555	776 329									
Armaturen- träger	8555.31	776 336	-	220*	-	-	-	-			
	8555.32	776 343									
	8555.33	776 350									
	8555.34	776 367									
	8555.38	776 374									
	8558	776 558									
	8555.35	776 381									
	8555.36	776 398									

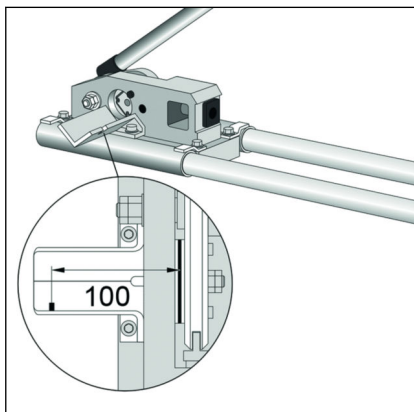
* Sammelanschlussleitung DN100

Alle Angaben beziehen sich auf Installationswandtiefen ohne Beplankung und Fliesen.

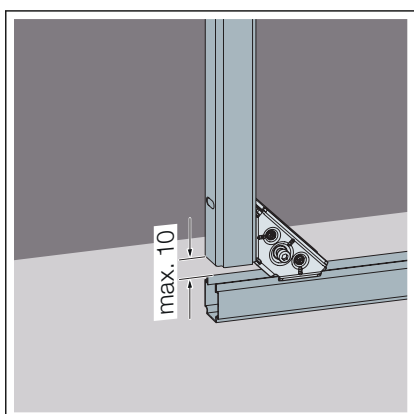
3.2 Assembly

3.2.1 Cutting rails to length

- Calculate the dimensions for floor and wall rails.
- Cut the mounting rail to length.



INFO! Observe the additional measuring aid when using the Prevista Dry Plus punch. The length from the marking to the cutting point comes to 100 mm.



- ⇒ The tolerance range for the rail length is 10 mm. The stability is not compromised.

3.2.2 Attach wall and floor rails



The Prevista Dry Plus rails are pre-punched every 30 cm with a long hole.

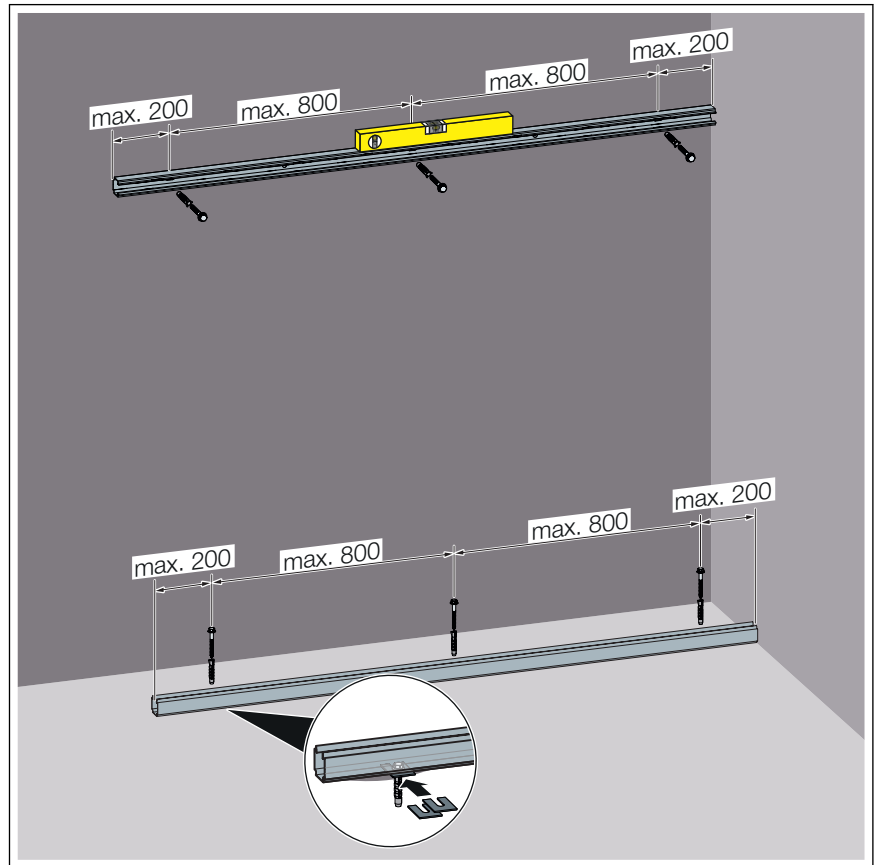


Fig. 26: Rail fixing dimensions

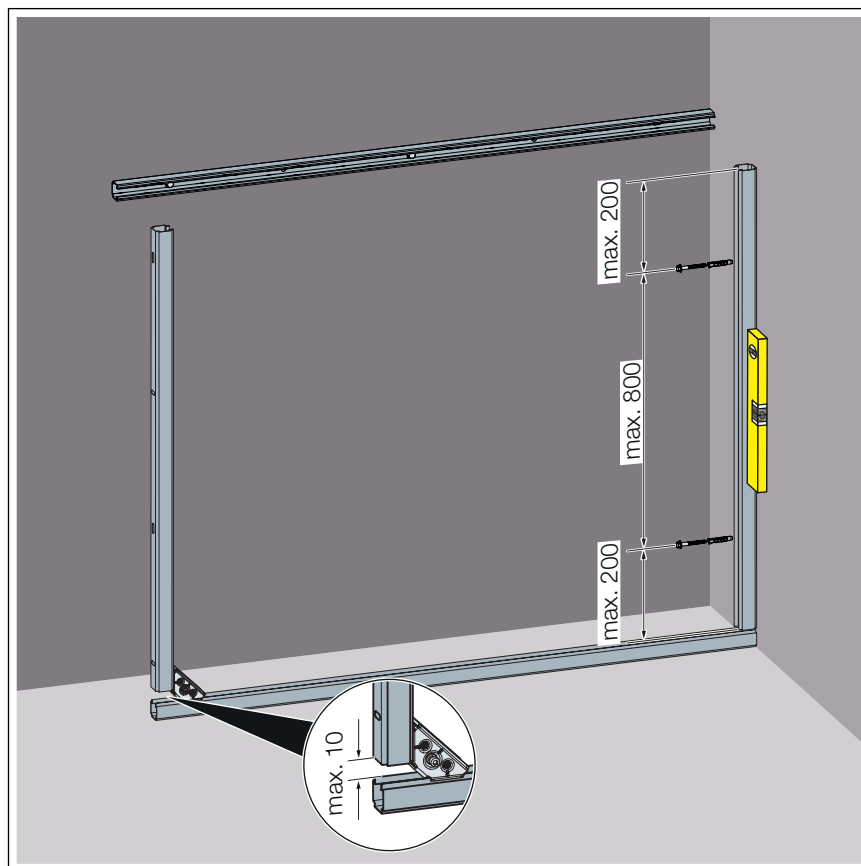


Fig. 27: Rail fixing dimensions

Requirements:

- The distance from the end of the rail until the first fixing must not exceed 200 mm.
- The distance between two fixings must not exceed 800 mm.
- Secure the rails directly onto the installation body with the fixing material supplied. Align the open side of the rail in such a way that it faces away from the installation body.
- Use the equalisation panels in the case of uneven walls or floor coverings.

Push the equalisation panels below the fixing point. Adapt the number of equalisation panels to the height of the unevenness.

Barrier-free mounting

Attach additional rails to the wall when mounting barrier-free. To see the special aspects of this mounting variation, see ↪ „Barrier-free mounting“ on page 10.

- Fasten an additional rail approx. 37 cm above UEFFL.
- Depending on the variation of barrier-free mounting, attach an additional 700 mm wall rail above the first one.

3.2.3 Mounting connectors



- Observe the alignment of the front rails before and during assembly.
- Align the rails, between which a module should be mounted, with the open side facing one another.
- Only use the blocking elements on the open rail sides.
- Observe the information regarding the minimum number of connectors with various mounting variations. You can find further information in chapter ↪ Chapter 3.1.2 „Processing rules“ on page 24.

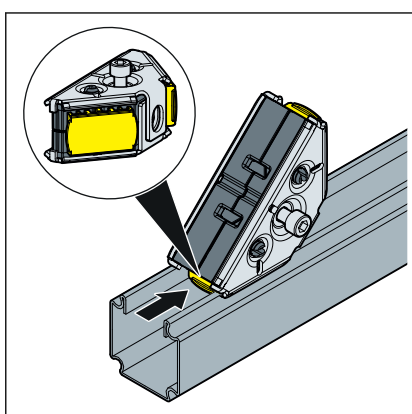
Mounting at various angles

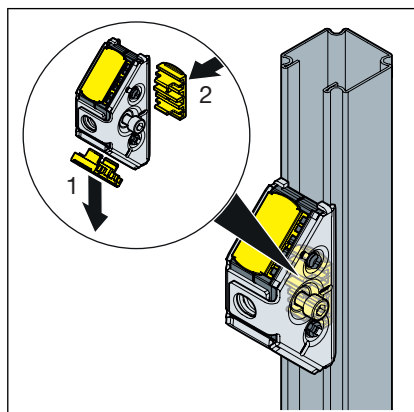
- Only mount the longer rail side in an angle $\neq 90^\circ$ when connecting two rails.
- With 45° corner installations, attach the long and short connection side to the rails.
- Always attach a connector with the long side in the case of other installation angle, e.g. with roof constructions. Connect the two connectors to one another via a joint.

Mounting on the open side of the rail

INFO! The yellow blocking elements are factory-fitted onto the short side of the Prevista Dry Plus connector. The blocking elements prevent that the mounting rail is pressed together at the fixing point when the screw is tightened.

- If the long side of the connector is to be mounted onto the open side of the rail, place a blocking element from the short side onto the long side.
- Place the Prevista Dry Plus connector with blocking element onto the open rail side.
 - ⇒ The connector clicks audibly into place.

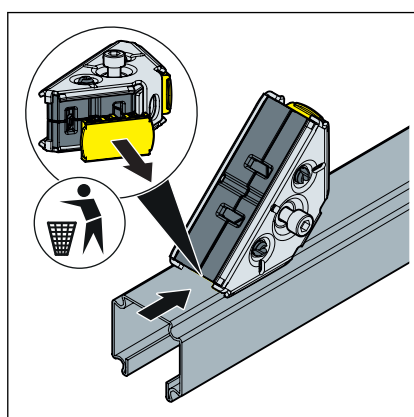




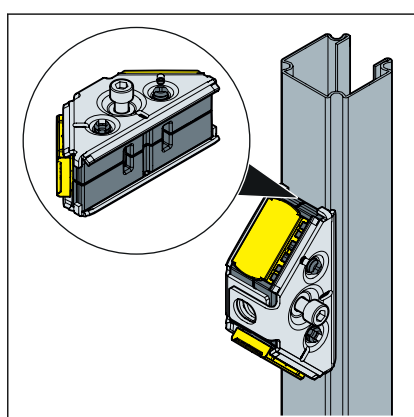
- Remove the blocking element from a short side.
- Place the blocking element in the intended holes on the long side of the connector and push.
- Place the Prevista Dry Plus connector with blocking element onto the open rail side.
 - ⇒ The connector clicks audibly into place.

- Move the connector into the desired position on the rail and tighten the fixing screw there with the Allen key provided.

Mounting on the closed side of the rail



- Remove and dispose of the blocking element.
- Place the Prevista Dry Plus connector onto the closed rail side.
 - ⇒ The connector clicks audibly into place.

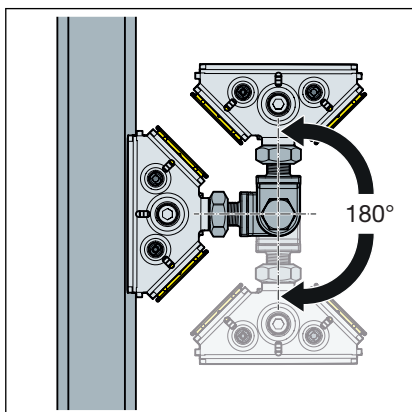


- Make sure that there is no blocking element on the long side of the connector side.
- Place the Prevista Dry Plus connector onto the closed rail side.
 - ⇒ The connector clicks audibly into place.

- Move the connector into the desired position on the rail and tighten the fixing screw there with the Allen key provided.

Connection with Prevista Dry Plus joint

Connections with an angle of up to 180° can be made using the joint.

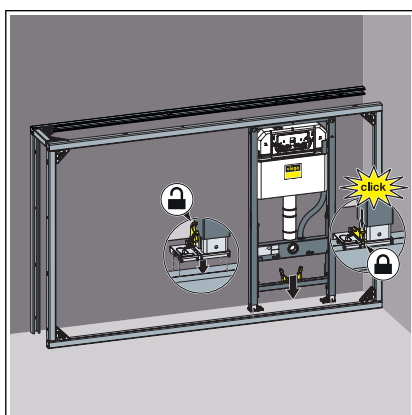


- Screw the joint with the threads onto one connector each.

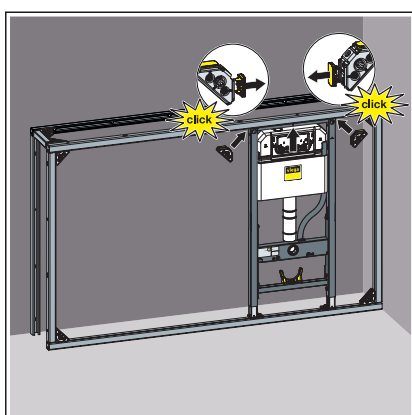
- Place the long side of a connector onto the rail.
- Place the second connector onto the other rail.
The rail can still be either loose or connected.
- Push the connector into the desired position.
- Tighten the screws on the connectors and the joint at the respective position with the Allen key supplied.

3.2.4 Rounding off jobs

Mounting the elements

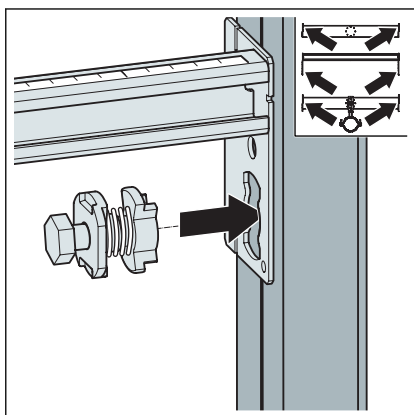


- Position the element on the floor rail.
- Fix the feet on the floor rail using the clips.
- Set the height of the element by means of the feet.

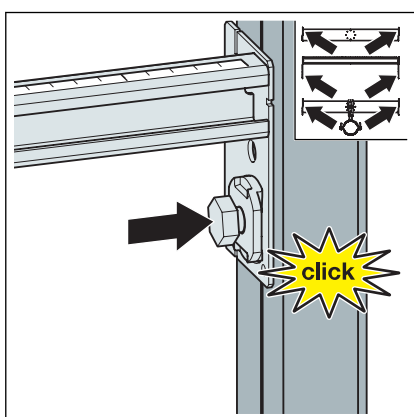


- Fix the element with the Prevista Dry Plus rail connectors.

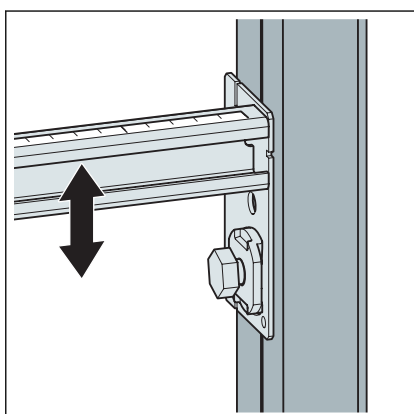
Mounting modules



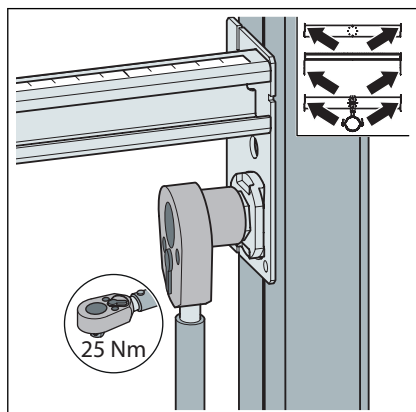
- Secure the module onto the open mounting rail with the slot nuts.
Insert the slot nut into the opening of the module.



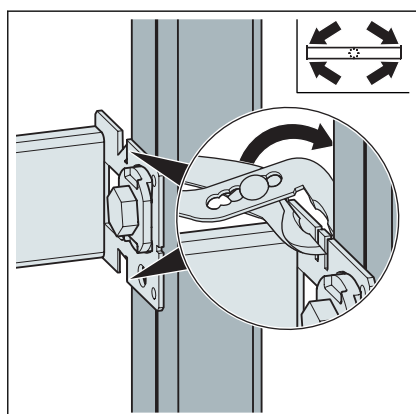
- Push the slot nut in until it engages.



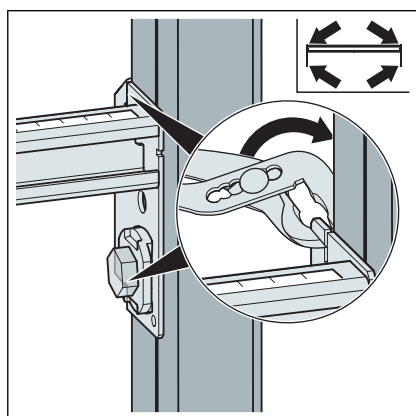
- Set the height of the rails.



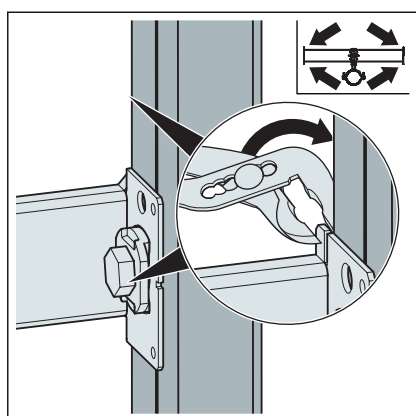
► Fasten the slot nut.



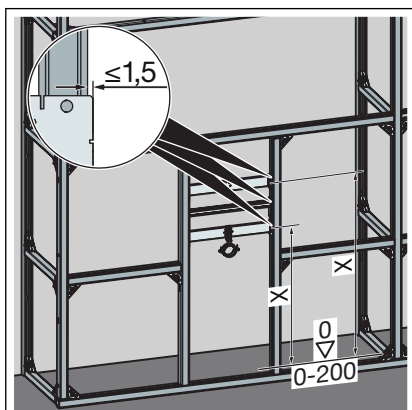
► Bend the sides of the metal bars of the rails.



► Bend the sides of the metal bars of the fitting holder.



► Bend the sides of the metal bars of the drain elbow.



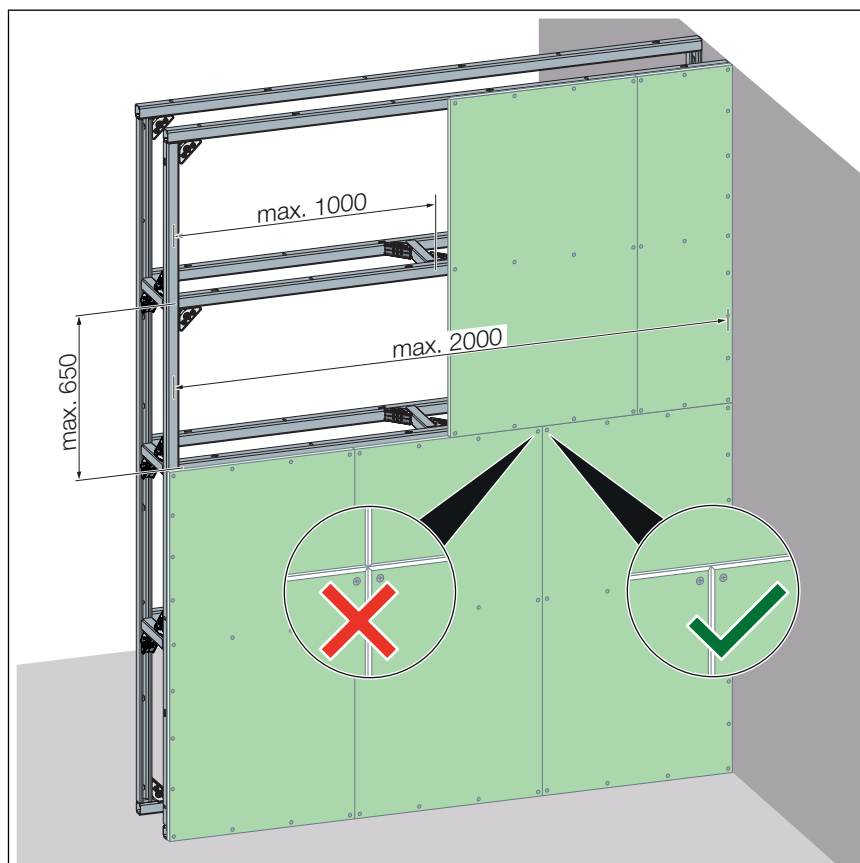
- Set the height of the module according to the ceramic manufacturer's instructions.
- The projection of the carriers beyond the rails is maximum 1.5 mm.



Further information on the individual modules and how they are mounted can be found in the mounting instructions for the model concerned.

Attach cladding

Gypsum plasterboard cladding panels



- Clad with suitable gypsum cardboard cladding panels.
Make sure that no abutting edges converge.
- Grout the abutting edges and joints with a suitable filler.
- For more detailed information, refer to the mounting instructions for the cladding panels.

MuroLive!

INFO! MuroLive! cladding panels from Murodesign GmbH are the alternative to gypsum cardboard cladding panels. The plastic panels are delivered custom-fitted.

- ▶ Clip MuroLive! cladding panels onto the Prevista Dry Plus rails open at the front.

3.3 Disposal

Separate the product and packaging materials (e. g. paper, metal, plastic or non-ferrous metals) and dispose of in accordance with valid national legal requirements.