

## Multiplex Equipment set M9

### Instructions for Use



for drain/overflow functional unit

**Model**  
6171.0

**Year built:**  
from 03/2015

en\_INT

**viega**



# Table of contents

<b>1</b>	<b>About these instructions for use</b>	<b>4</b>
1.1	Target groups	4
1.2	Labelling of notes	4
1.3	About this translated version	5
<b>2</b>	<b>Product information</b>	<b>6</b>
2.1	Intended use	6
2.1.1	Areas of use	6
2.2	Product description	6
2.2.1	Overview	6
<b>3</b>	<b>Handling</b>	<b>8</b>
3.1	Assembly information	8
3.1.1	Mounting conditions	8
3.1.2	Required tools and materials	8
3.2	Assembly	8
3.2.1	Replacing the fixing flange	8
3.2.2	Mounting equipment set	11
3.3	Control	12
3.4	Maintenance	14
3.5	Disposal	15

# 1 About these instructions for use

Trade mark rights exist for this document, further information can be found at [viega.com/legal](http://viega.com/legal).

## 1.1 Target groups

The information in this instruction manual is directed at the following groups of people:

- Heating and sanitary professionals and trained personnel
- Operators
- Consumers

It is not permitted for individuals without the abovementioned training or qualification to mount, install and, if required, service this product. This restriction does not extend to possible operating instructions.

The installation of Viega products must take place in accordance with the general rules of engineering and the Viega instructions for use.

## 1.2 Labelling of notes

Warning and advisory texts are set aside from the remainder of the text and are labelled with the relevant pictographs.



### **DANGER!**

This symbol warns against possible life-threatening injury.



### **WARNING!**

This symbol warns against possible serious injury.



### **CAUTION!**

This symbol warns against possible injury.



### **NOTICE!**

This symbol warns against possible damage to property.



*Notes give you additional helpful tips.*

### 1.3 About this translated version

This instruction for use contains important information about the choice of product or system, assembly and commissioning as well as intended use and, if required, maintenance measures. The information about the products, their properties and application technology are based on the current standards in Europe (e. g. EN) and/or in Germany (e. g. DIN/DVGW).

Some passages in the text may refer to technical codes in Europe/Germany. These should serve as recommendations in the absence of corresponding national regulations. The pertinent national laws, standards, regulations and guidelines, as well as other technical guidelines, have priority over German/European guidelines in this manual: The information is not binding for other countries and territories and should, as mentioned, be considered as support.

## 2 Product information

### 2.1 Intended use

#### 2.1.1 Areas of use

The M 9 equipment set enables the increasing of the maximum water level in the bathtub by about 5 cm. The overflow opening can be closed to increase the water level. Overflow takes place over the upper edge of the rotatable rosette.

The equipment set is exclusively suitable for installation in the following Multiplex models with a year of construction of 2014 onwards:

- 6171.10
- 6162.45
- 6163.45
- 6162.875
- 6162
- 6163
- 6167.10
- 6167.11
- 6167.12
- 6162.1
- 6163.1
- 6163.2

### 2.2 Product description

#### 2.2.1 Overview

The following components are included in the scope of delivery of the equipment set:

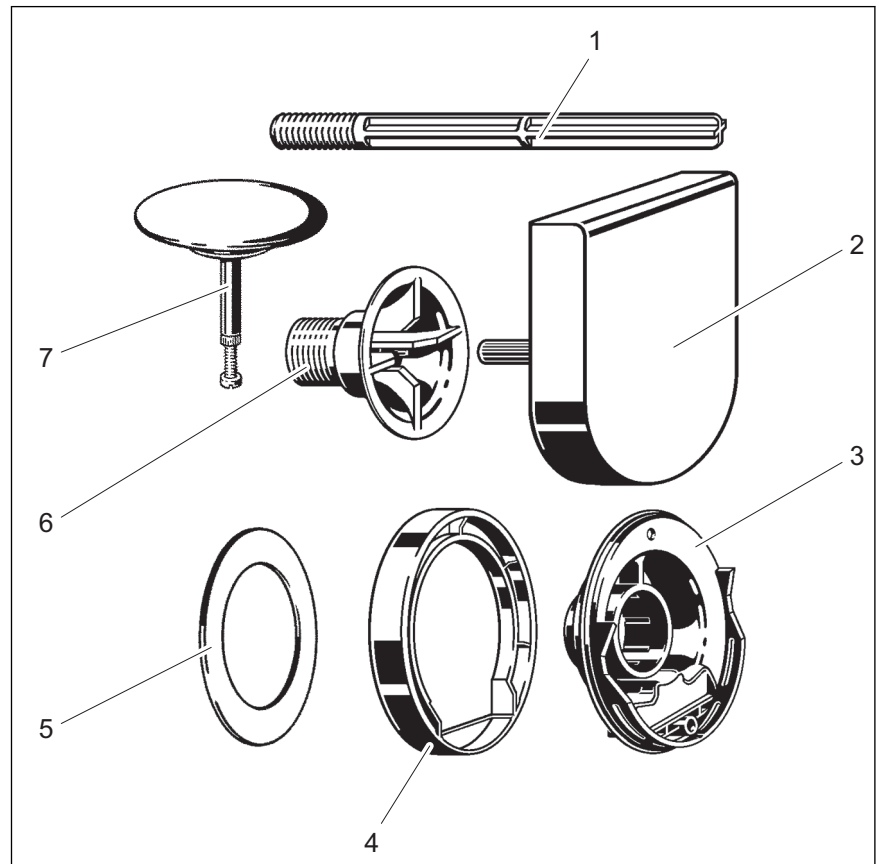


Fig. 1: Component overview

- 1 - mounting aid
- 2 - rotatable rosette
- 3 - overflow flange
- 4 - flange cover
- 5 - seal
- 6 - fixing screw
- 7 - valve cone

# 3 Handling

## 3.1 Assembly information

### 3.1.1 Mounting conditions

The following requirements exist for the mounting of the equipment set:

- The bathtub is fully installed.
- One of the drains / overflows listed in [Chapter 2.1.1 „Areas of use“ on page 6](#) is installed.
- All other tasks on the building site have been completed.

### 3.1.2 Required tools and materials

#### Tool

The following tools are required for mounting:

- mounting aid (included in the scope of delivery)
- slotted screwdriver

#### Material

No additional material is required for the complete mounting of the product.

## 3.2 Assembly

### 3.2.1 Replacing the fixing flange



*The mounting aid serves the purpose of securing the overflow when the fixing flange is removed. For this reason, the mounting aid must be held in the hand for the entire replacement procedure.*

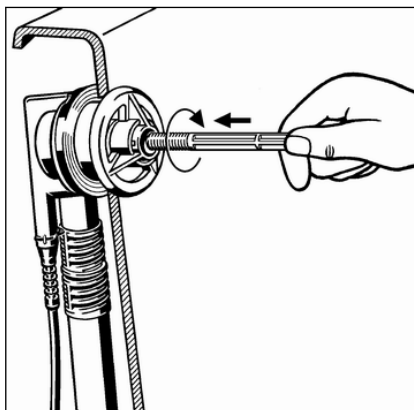
If the equipment set is to be mounted on an older model of the Multiplex drain/overflow, the fixing flange for the rotatable rosette must be replaced first. Proceed as follows:

The fixing flange must first be replaced for the installation of the rotatable rosette with the raised overflow. Proceed as follows:

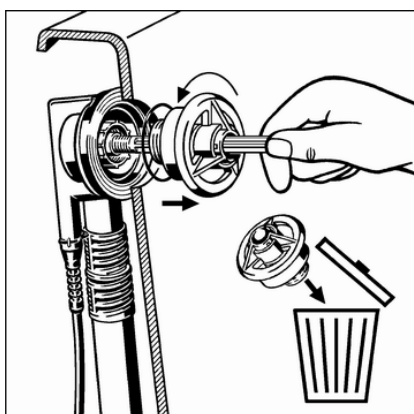


**Requirements:**

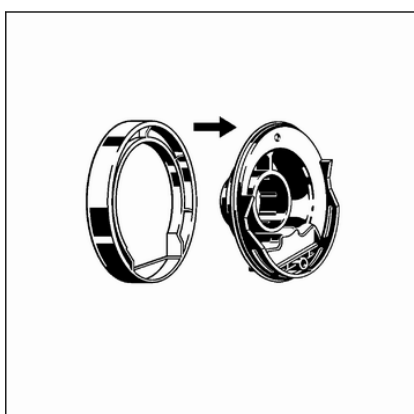
- One of the Multiplex models listed in [Chapter 2.1.1 „Areas of use“ on page 6](#) is installed.
- The rotatable rosette has been removed.



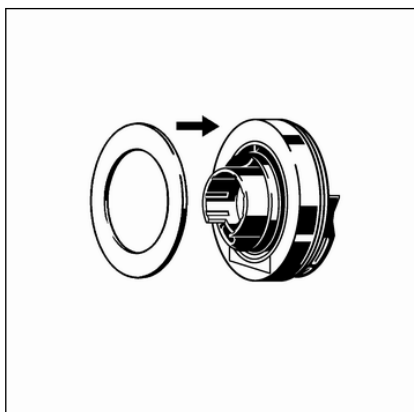
- Push the mounting aid through the middle hole of the fixing flange.
- Screw the mounting aid in a clockwise direction into the overflow unit.



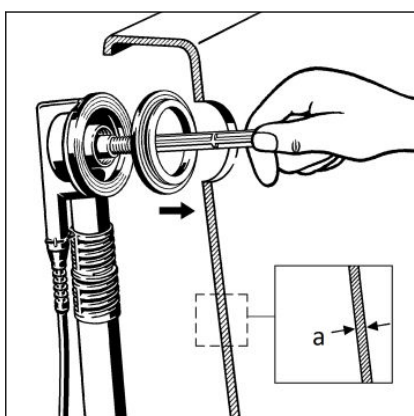
- Hold the overflow in place using the mounting aid.
- Unscrew the fixing flange in an anti-clockwise direction.
- Remove and dispose of fixing flange and O-ring.



- Join flange cover and flange.  
The cover must noticeably click into place on the flange.



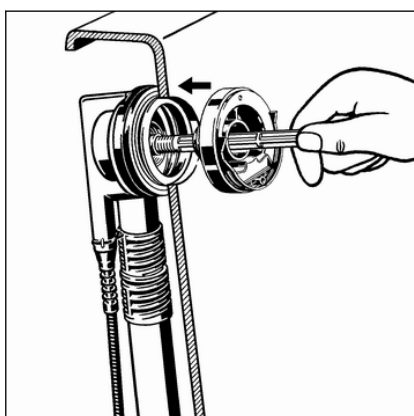
- Mount the seal on the rearside of the flange.



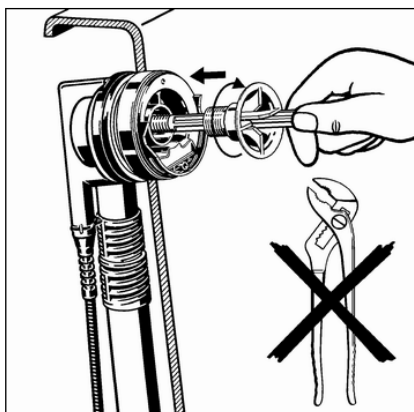
**INFO! Only carry out these steps with steel bathtubs with a thickness of 3 mm or less.**

- Push the additional seal onto the mounting aid.  
The flat side of the seal must face towards the overflow unit.
- Push the additional seal through the overflow opening.
- Position additional seal so that the rise is in the overflow opening and as much of the overflow unit as possible is placed over the surface.

a maximum wall thickness  
3 mm



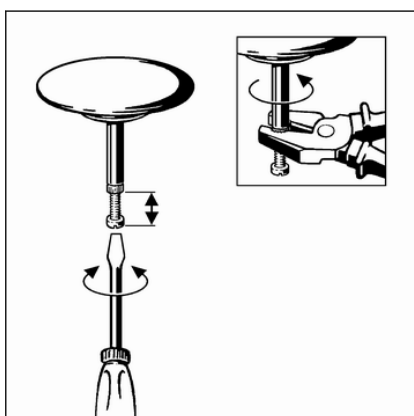
- Push the new flange over the mounting aid.
- Insert the flange into the overflow unit.



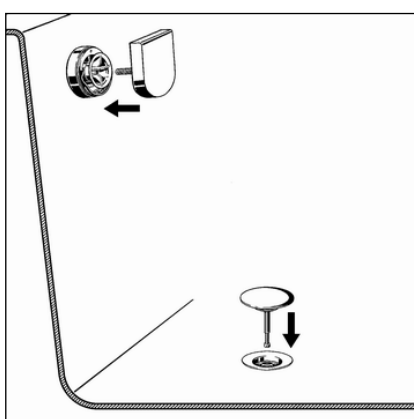
- Push fixing screw over the mounting aid.
- Tighten the fixing screw hand-tight in a clockwise direction.  
Pliers or other tools may damage the fixing flange. Only turn the fixing flange by hand.
- Unscrew the mounting aid in an anti-clockwise direction and remove.

### 3.2.2 Mounting equipment set

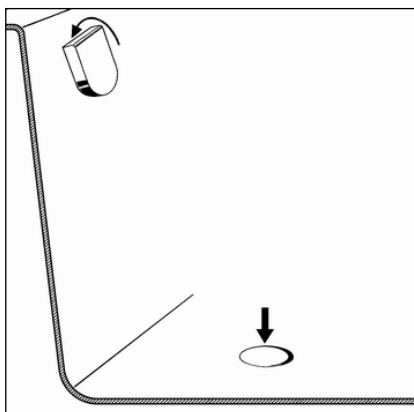
To avoid damage to the rosette and valve cone, only mount the equipment set after finishing all other work on the building site. Proceed as follows:



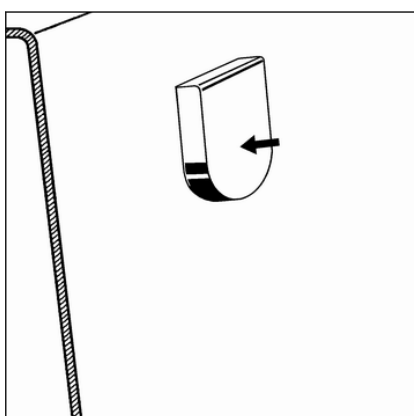
- Set the valve cone with the help of the adjusting screw and counter with union nut.



- Remove red site protection.
- Fit valve cone.
- Fit the rotatable rosette loosely (not all the way).



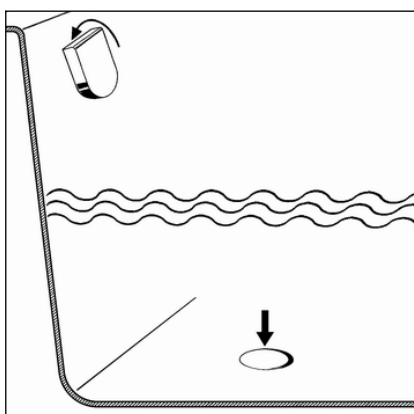
- To align, turn rotatable rosette as far as it will go to the left.
  - ⇒ The valve cone closes itself.



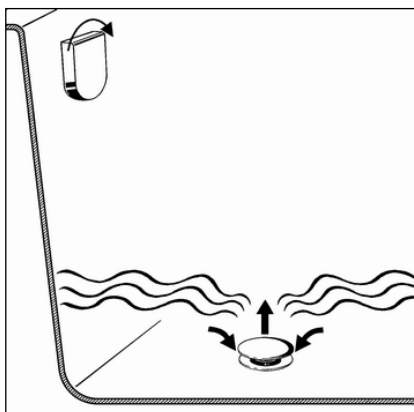
- Remove rotatable rosette.
- Fit rotatable rosette with the flat side facing upwards.
  - ⇒ The rotatable rosette is properly aligned.

### 3.3 Control

The drain / overflow are controlled via rotatable rosette on the overflow. Proceed as follows to open or close the drain:



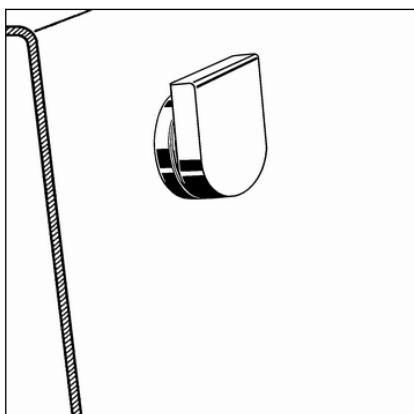
- Turn rotatable rosette to the left.
  - ⇒ The drain closes itself.



- ▶ Turn rotatable rosette to the right.
- ⇒ The drain opens itself.

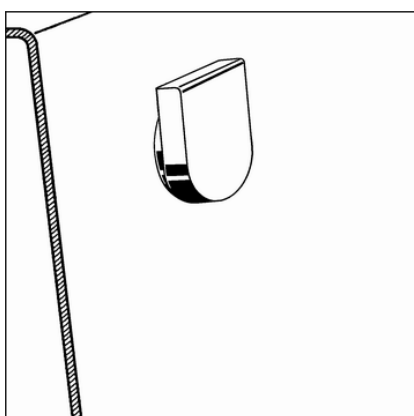
### Functionality of the water level increase

The water level increase occurs as follows:



**The water level increase is off when the rotatable rosette is pulled out.**

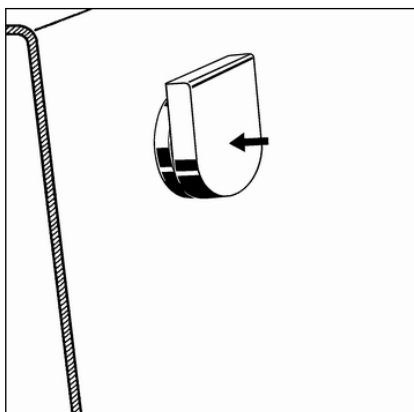
Draining takes place directly via the drain opening behind the rotatable rosette.



**The water level increase is on when the rotatable rosette is pushed in.**

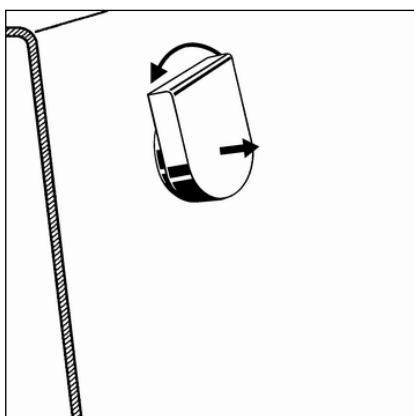
Draining takes place directly via the drain opening on the upper edge of the rotatable rosette.

### Activating water level increase



- ▶ Push the rotatable rosette towards the rim of the bathtub.
  - ⇒ The water level increase is activated.

### Deactivating water level increase



- ▶ There are two methods of deactivating the water level increase:
  - Pull out rotatable rosette.
  - Turn rotatable rosette to the left.
 ⇒ The water level increase is deactivated.

## 3.4 Maintenance



### NOTICE!

#### Risk of damage due to unsuitable cleaning agent.

The following cleaning agents can damage chrome-plated surfaces and therefore may not be used:

- scouring agent
- abrasive sponges
- lime, plaster or cement dissolver
- solvents or other acidic cleaning agents

Normal soap or a mild cleaning agent can be used for regular care and prevention of lime scale on the rotatable rosette and valve cone. Under no circumstances should scouring agent or scratching objects be used.

Strong stains, even around the drain unit and the siphon, can be removed using typical household cleaner. It should be noted that the cleaning agent should be rinsed off after the prescribed soaking time. There should be no residue on the components.

### **3.5 Disposal**

Separate the product and packaging materials (e. g. paper, metal, plastic or non-ferrous metals) and dispose of in accordance with valid national legal requirements.