

Rotaplex equipment set Visign R3
Instructions for Use



for drain and overflow functional units

Model
6156.0

Year built:
from 06/2015

en_INT



Table of contents

1	About these instructions for use	4
1.1	Target groups	4
1.2	Labelling of notes	4
1.3	About this translated version	5
2	Product information	6
2.1	Intended use	6
2.1.1	Areas of use	6
2.2	Product description	6
2.2.1	Overview	6
2.2.2	Equipment versions	7
3	Handling	8
3.1	Assembly information	8
3.1.1	Mounting conditions	8
3.1.2	Required tools and materials	8
3.2	Assembly	8
3.2.1	Replacing the fixing flange	8
3.2.2	Mounting equipment set	9
3.3	Control	10
3.4	Maintenance	11
3.5	Disposal	11

1 About these instructions for use

Trade mark rights exist for this document, further information can be found at viega.com/legal.

1.1 Target groups

The information in this instruction manual is directed at the following groups of people:

- Heating and sanitary professionals and trained personnel
- Operators
- Consumers

It is not permitted for individuals without the abovementioned training or qualification to mount, install and, if required, service this product. This restriction does not extend to possible operating instructions.

The installation of Viega products must take place in accordance with the general rules of engineering and the Viega instructions for use.

1.2 Labelling of notes

Warning and advisory texts are set aside from the remainder of the text and are labelled with the relevant pictographs.

**DANGER!**

This symbol warns against possible life-threatening injury.

**WARNING!**

This symbol warns against possible serious injury.

**CAUTION!**

This symbol warns against possible injury.

**NOTICE!**

This symbol warns against possible damage to property.



Notes give you additional helpful tips.

1.3 About this translated version

This instruction for use contains important information about the choice of product or system, assembly and commissioning as well as intended use and, if required, maintenance measures. The information about the products, their properties and application technology are based on the current standards in Europe (e. g. EN) and/or in Germany (e. g. DIN/DVGW).

Some passages in the text may refer to technical codes in Europe/Germany. These should serve as recommendations in the absence of corresponding national regulations. The pertinent national laws, standards, regulations and guidelines, as well as other technical guidelines, have priority over German/European guidelines in this manual: The information is not binding for other countries and territories and should, as mentioned, be considered as support.

2 Product information

2.1 Intended use

2.1.1 Areas of use

The equipment set is exclusively suitable for use with a Rotaplex drain / overflow for bathtubs with a 90 mm drain hole.



The model described here cannot be combined with Rotaplex Trio products. Separate equipment sets with other model numbers are available for the Rotaplex inlets / drains / and overflows.

2.2 Product description

2.2.1 Overview

The following components are included in the scope of delivery of the equipment set:

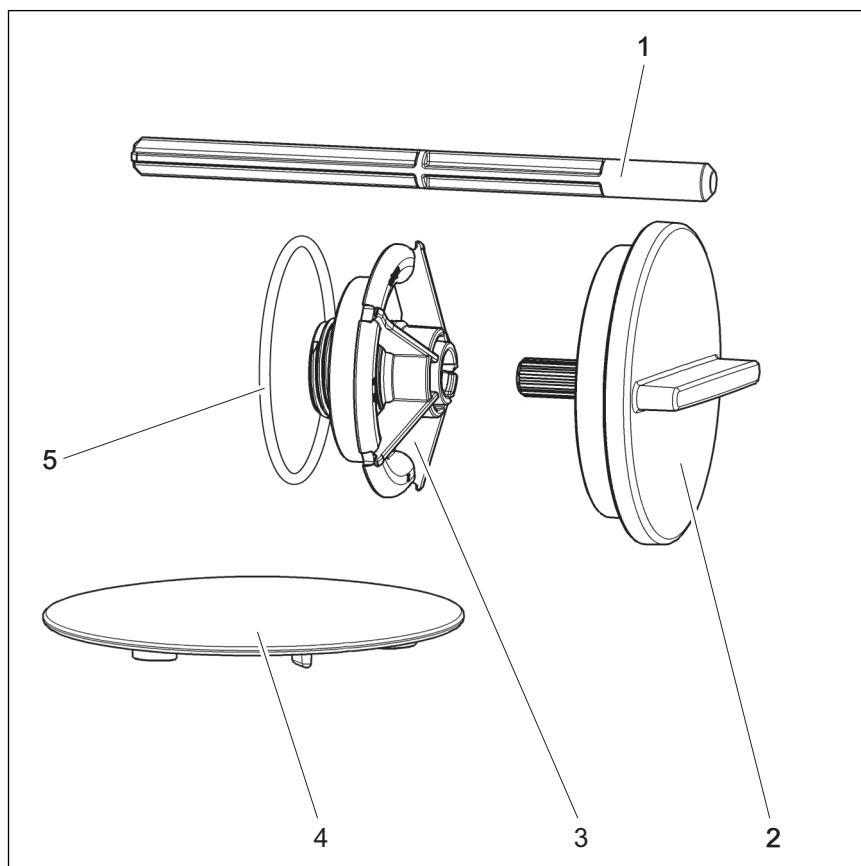


Fig. 1: Component overview

- 1 - mounting aid
- 2 - rotatable rosette
- 3 - overflow flange
- 4 - cover plate
- 5 - O-ring

2.2.2 Equipment versions

The model is available in the following versions:

Version	Article number
chrome-plated	586 508

3 Handling

3.1 Assembly information

3.1.1 Mounting conditions

There are two possible installation situations for the equipment set:

- The equipment set should be replaced in an existing installation.
- In the case of a new installation, the equipment set is fitted onto a functional unit.

In the first case, carry out all of the steps of the installation as described below.

In the second case, make sure that the fixing flange corresponds exactly with the model supplied. If the correct fixing flange is installed, you can dispose of the mounting aid, the O--ring and the fixing flange and start with the second mounting step (↪ *Chapter 3.2.2 „Mounting equipment set“ on page 9*).

3.1.2 Required tools and materials

Tool

The following tools are required for mounting:

- mounting aid (included in the scope of delivery)
- slotted screwdriver

Material

No additional material is required for the complete mounting of the product.

3.2 Assembly

3.2.1 Replacing the fixing flange

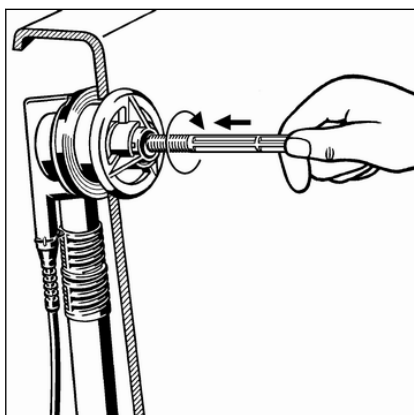


The mounting aid serves the purpose of securing the overflow when the fixing flange is removed. For this reason, the mounting aid must be held in the hand for the entire replacement procedure.

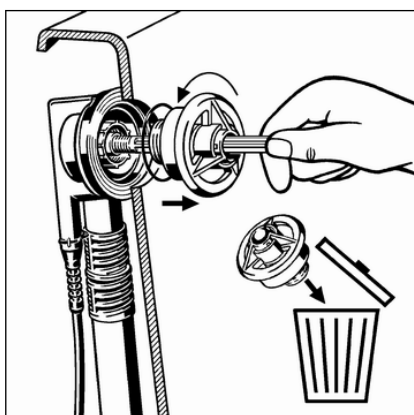
If the equipment set is to be mounted on an older model of the Rotaplex drain/overflow, the fixing flange for the rotatable rosette must be replaced first. Proceed as follows:

Requirements:

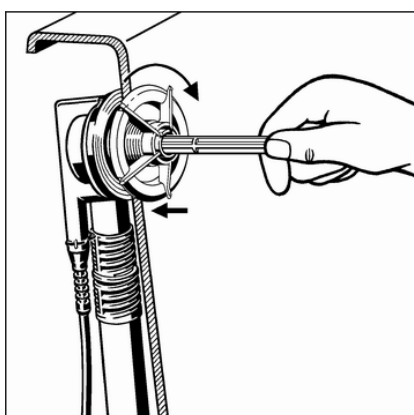
- An older Rotaplex model is installed.
- The rotatable rosette has been removed.
- Push the mounting aid through the middle hole of the fixing flange.
- Screw the mounting aid in a clockwise direction into the overflow unit.



- Hold the overflow in place using the mounting aid.
- Unscrew the fixing flange in an anti-clockwise direction.
- Remove and dispose of fixing flange and O-ring.

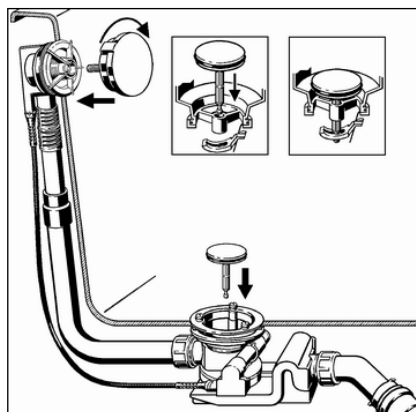


- Mount new O-Ring onto the new fixing flange.
- Push the new fixing flange over the mounting aid and fit in the overflow unit.
- Tighten the fixing flange in a clockwise direction.
- Unscrew the mounting aid in an anti-clockwise direction and remove.



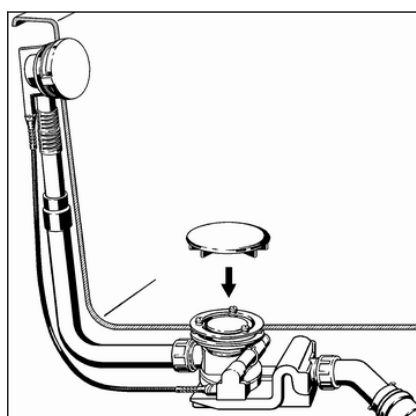
3.2.2 Mounting equipment set

To avoid damage to the rosette and valve cone, only mount the equipment set after finishing all other work on the building site. Proceed as follows:



- Align and install rotatable rosette into the overflow unit.
- Turn rotatable rosette to the right (open position) and hold.
- Fit valve cone.

The pin on the underside of the valve cone must be led through the middle hole of the fixing flange into the recess in the drain unit and be felt to click into place (see detailed illustration).

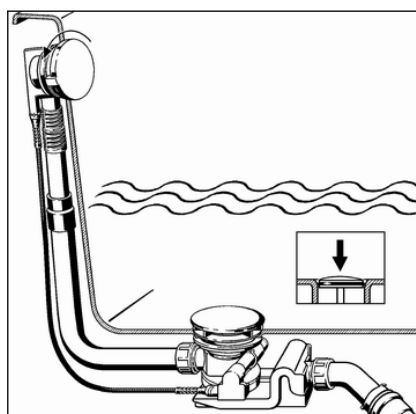


- Place the cover plate onto the fixing flange and affix.

The holes on the underside of the cover plate must be placed onto the heads of the screws.

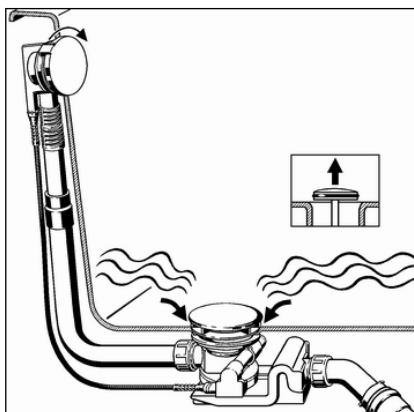
3.3 Control

The drain / overflow are controlled via rotatable rosette on the overflow. Proceed as follows to open or close the drain:



- Turn rotatable rosette to the left.
 - ⇒ The drain closes itself.

INFO! The valve cone sinks and prevents the water from draining away. The cover plate does not alter its position.



► Turn rotatable rosette to the right.

⇒ The drain opens itself.

INFO! The valve cone lifts and the water can flow away. The cover plate does not alter its position.

3.4 Maintenance



NOTICE!

Risk of damage due to unsuitable cleaning agent.

The following cleaning agents can damage chrome-plated surfaces and therefore may not be used:

- scouring agent
- abrasive sponges
- lime, plaster or cement dissolver
- solvents or other acidic cleaning agents

Normal soap or a mild cleaning agent can be used for regular care and prevention of lime scale on the rotatable rosette and valve cone. Under no circumstances should scouring agent or scratching objects be used.

Strong stains, even around the drain unit and the siphon, can be removed using typical household cleaner. It should be noted that the cleaning agent should be rinsed off after the prescribed soaking time. There should be no residue on the components.

3.5 Disposal

Separate the product and packaging materials (e. g. paper, metal, plastic or non-ferrous metals) and dispose of in accordance with valid national legal requirements.