

Rotaplex Trio equipment set Visign RT5

Instructions for Use



for drain and overflow functional units

Model
6141.01

Year built:
from 06/2015

en_INT

viega

Table of contents

1	About these instructions for use	4
1.1	Target groups	4
1.2	Labelling of notes	4
1.3	About this translated version	5
2	Product information	6
2.1	Intended use	6
2.1.1	Areas of use	6
2.2	Product description	6
2.2.1	Overview	6
2.2.2	Equipment versions	7
3	Handling	8
3.1	Assembly information	8
3.1.1	Mounting conditions	8
3.1.2	Required tools and materials	8
3.2	Assembly	8
3.2.1	Mounting equipment set	8
3.2.2	Demounting rotatable rosette	9
3.3	Control	9
3.4	Maintenance	11
3.5	Disposal	11

1 About these instructions for use

Trade mark rights exist for this document, further information can be found at viega.com/legal.

1.1 Target groups

The information in this instruction manual is directed at the following groups of people:

- Heating and sanitary professionals and trained personnel
- Operators
- Consumers

It is not permitted for individuals without the abovementioned training or qualification to mount, install and, if required, service this product. This restriction does not extend to possible operating instructions.

The installation of Viega products must take place in accordance with the general rules of engineering and the Viega instructions for use.

1.2 Labelling of notes

Warning and advisory texts are set aside from the remainder of the text and are labelled with the relevant pictographs.

**DANGER!**

This symbol warns against possible life-threatening injury.

**WARNING!**

This symbol warns against possible serious injury.

**CAUTION!**

This symbol warns against possible injury.

**NOTICE!**

This symbol warns against possible damage to property.



Notes give you additional helpful tips.

1.3 About this translated version

This instruction for use contains important information about the choice of product or system, assembly and commissioning as well as intended use and, if required, maintenance measures. The information about the products, their properties and application technology are based on the current standards in Europe (e. g. EN) and/or in Germany (e. g. DIN/DVGW).

Some passages in the text may refer to technical codes in Europe/Germany. These should serve as recommendations in the absence of corresponding national regulations. The pertinent national laws, standards, regulations and guidelines, as well as other technical guidelines, have priority over German/European guidelines in this manual: The information is not binding for other countries and territories and should, as mentioned, be considered as support.

2 Product information

2.1 Intended use

2.1.1 Areas of use

The equipment set is exclusively suitable for use with a Rotaplex Trio inlet / drain / overflow for bathtubs with a 90 mm drain hole.



The model described here cannot be combined with Rotaplex products. Separate equipment sets with other model numbers are available for the Rotaplex drains / and overflows.

2.2 Product description

2.2.1 Overview

The following components are included in the scope of delivery of the equipment set:

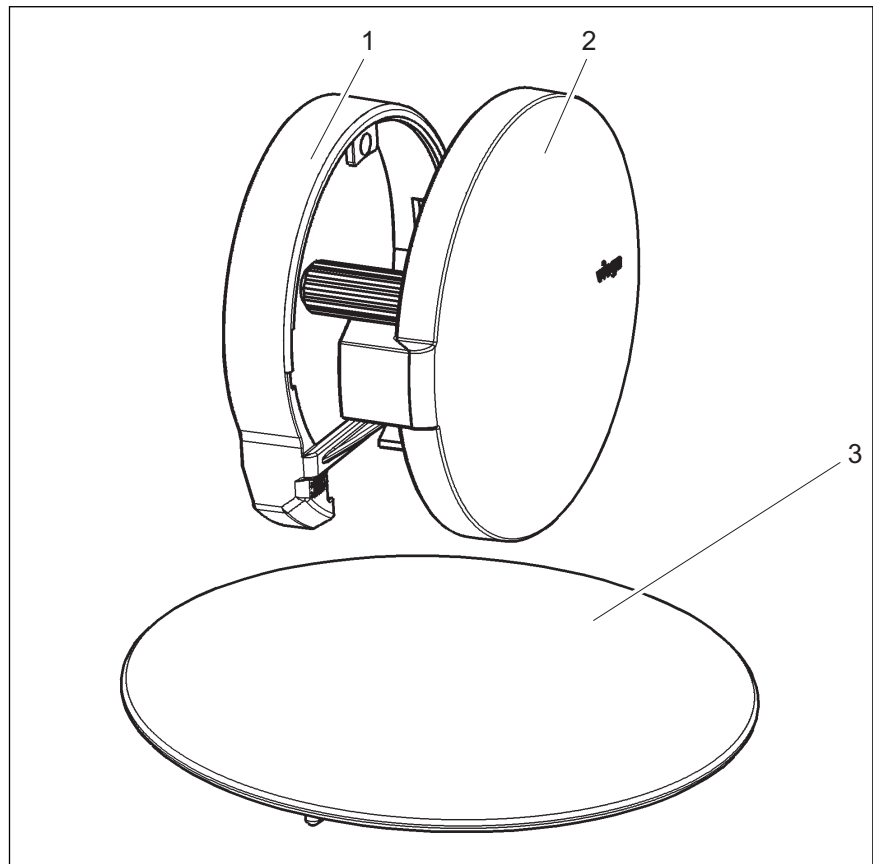


Fig. 1: Component overview

- 1 - flange cover
- 2 - rotatable rosette
- 3 - cover plate

2.2.2 Equipment versions

The model is available in the following versions:

Version	Article number
chrome-plated	732 530
stainless steel colours / brushed	732 547
designer white	732 523

3 Handling

3.1 Assembly information

3.1.1 Mounting conditions

The following requirements exist for the mounting of the equipment set:

- The bathtub is fully installed.
- A Rotaplex Trio drain / overflow is installed.
- All other tasks on the building site have been completed.

3.1.2 Required tools and materials

Tool

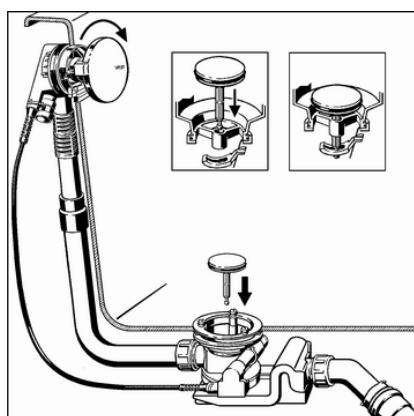
Material

No additional material is required for the complete mounting of the product.

3.2 Assembly

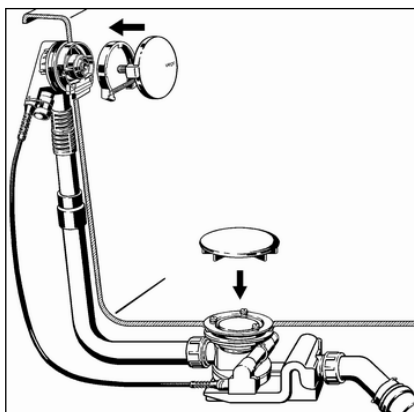
3.2.1 Mounting equipment set

To avoid damage to the rosette and valve cone, only mount the equipment set after finishing all other work on the building site. Proceed as follows:



- Align and install rotatable rosette into the overflow unit.
- Turn rotatable rosette to the right (open position) and hold.
- Fit valve cone.

The pin on the underside of the valve cone must be led through the middle hole of the valve top into the recess in the drain unit and be felt to click into place (see detailed illustration).

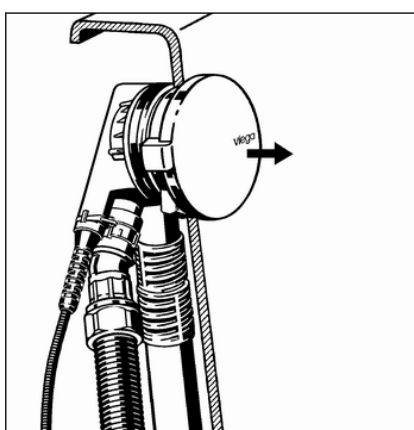


- Place the flange cover onto the inlet flange with the straight side facing downwards and affix.
- Align and fit rotatable rosette.
- Place the cover plate onto the valve top and affix.

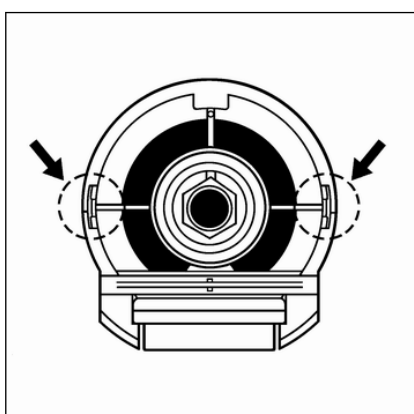
The holes on the underside of the cover plate must be placed onto the heads of the screws.

3.2.2 Demounting rotatable rosette

If the rotatable rosette on the overflow is to be removed, proceed as follows to prevent damaging the rosette and the flange cover:



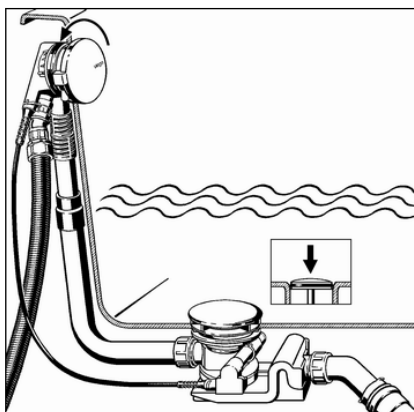
- Remove the rotatable rosette in the axial direction.



- Remove the flange cover at the marked points.
- Remove flange cover.

3.3 Control

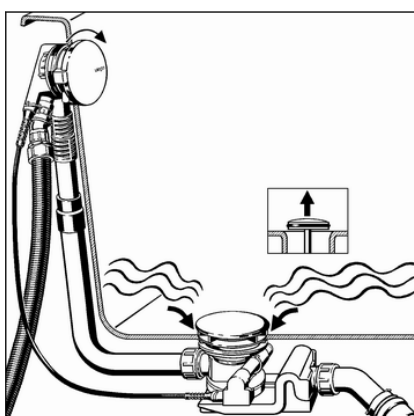
The drain / overflow are controlled via rotatable rosette on the overflow. Proceed as follows to open or close the drain:



- Turn rotatable rosette to the left.

⇒ The drain closes itself.

INFO! The valve cone sinks and prevents the water from draining away. The cover plate does not alter its position.

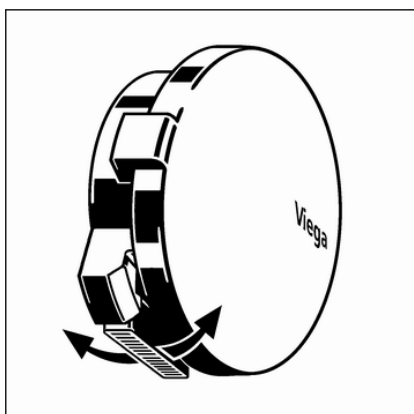


- Turn rotatable rosette to the right.

⇒ The drain opens itself.

INFO! The valve cone lifts and the water can flow away. The cover plate does not alter its position.

Setting the water inlet direction



There is a regulator for the water jet on the underside of the rotatable rosette. Proceed as follows to adjust the water jet:

- Push the flow control backwards or forwards with your finger. The water flows closer or further away from the side of the bathtub depending on the direction set.

3.4 Maintenance



NOTICE!

Risk of damage due to unsuitable cleaning agent.

The following cleaning agents can damage chrome-plated surfaces and therefore may not be used:

- scouring agent
- abrasive sponges
- lime, plaster or cement dissolver
- solvents or other acidic cleaning agents

Normal soap or a mild cleaning agent can be used for regular care and prevention of lime scale on the rotatable rosette and valve cone. Under no circumstances should scouring agent or scratching objects be used.

Strong stains, even around the drain unit and the siphon, can be removed using typical household cleaner. It should be noted that the cleaning agent should be rinsed off after the prescribed soaking time. There should be no residue on the components.

3.5 Disposal

Separate the product and packaging materials (e. g. paper, metal, plastic or non-ferrous metals) and dispose of in accordance with valid national legal requirements.