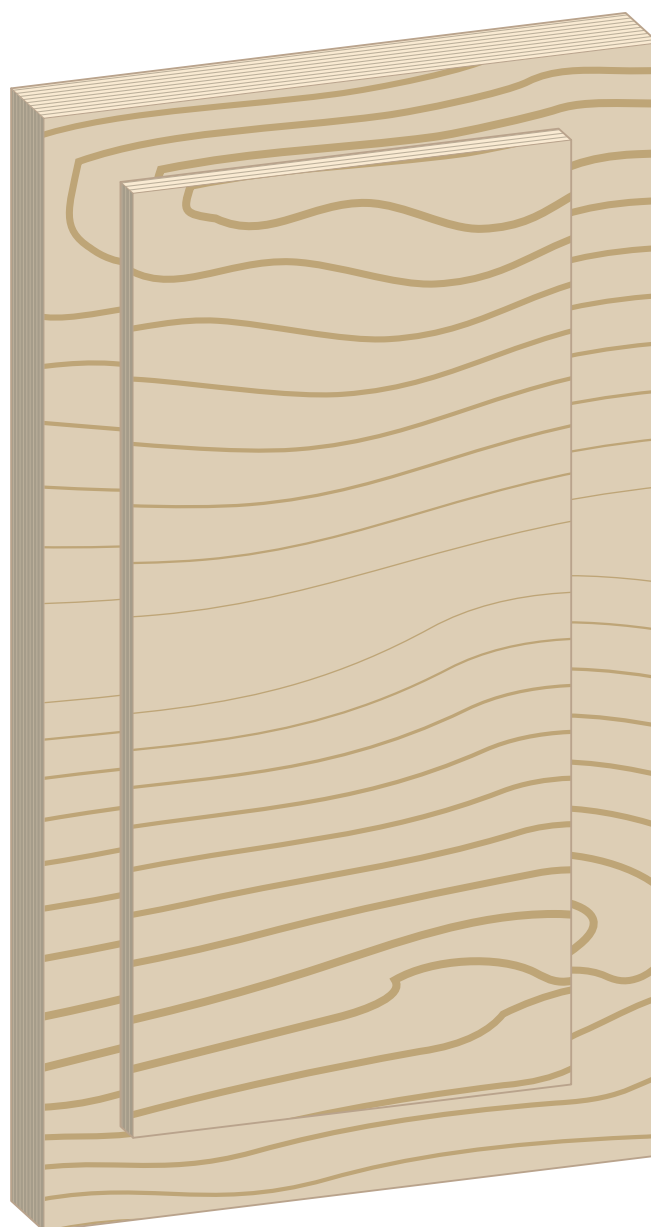


Prevista Dry Plus plywood board
Instructions for Use



for equipment

Model
8570.33

en_INT

Year built:
from 09/2018



Table of contents

1	About these instructions for use	4
1.1	Target groups	4
1.2	Labelling of notes	4
1.3	About this translated version	5
2	Product information	6
2.1	Intended use	6
2.1.1	Areas of use	6
3	Handling	7
3.1	Assembly information	7
3.1.1	Installation dimensions	7
3.2	Assembly	8
3.3	Disposal	9

1 About these instructions for use

Trade mark rights exist for this document; for further information, go to viega.com/legal.

1.1 Target groups

The information in this instruction manual is directed at the following groups of people:

- Heating and sanitary professionals and trained personnel

Individuals without the abovementioned training or qualification are not permitted to mount, install and, if required, maintain this product. This restriction does not extend to possible operating instructions.

The installation of Viega products must take place in accordance with the general rules of engineering and the Viega instructions for use.

1.2 Labelling of notes

Warning and advisory texts are set aside from the remainder of the text and are labelled with the relevant pictographs.



DANGER!

This symbol warns of possible life-threatening injury.



WARNING!

This symbol warns of possible serious injury.



CAUTION!

This symbol warns of possible injury.



NOTICE!

This symbol warns of possible damage to property.



This symbol gives additional information and hints.

1.3 About this translated version

This instruction for use contains important information about the choice of product or system, assembly and commissioning as well as intended use and, if required, maintenance measures. The information about the products, their properties and application technology are based on the current standards in Europe (e.g. EN) and/or in Germany (e.g. DIN/DVGW).

Some passages in the text may refer to technical codes in Europe/Germany. These should serve as recommendations in the absence of corresponding national regulations. The relevant national laws, standards, regulations, directives and other technical provisions take priority over the German/European directives specified in this manual: The information herein is not binding for other countries and regions; as said above, they should be understood as a recommendation.

2 Product information

2.1 Intended use

2.1.1 Areas of use

The model is designed for mounting in a Prevista Dry Plus pre-wall construction.

3 Handling

3.1 Assembly information

3.1.1 Installation dimensions

The plywood board has the following dimensions:

497 x 280 x 30 mm (W x H x D)

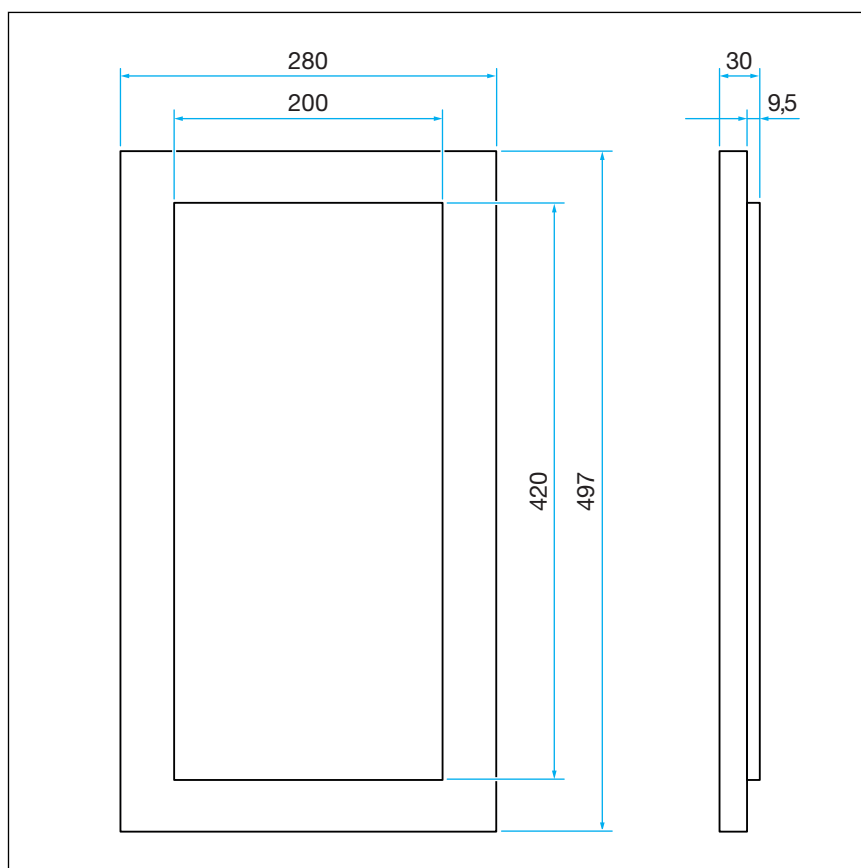
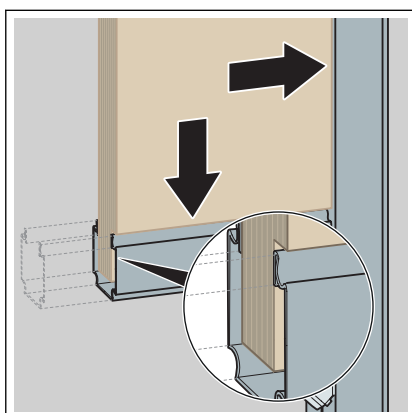


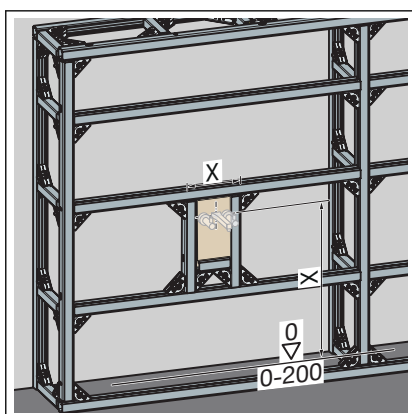
Fig. 1: Dimensional drawing

3.2 Assembly

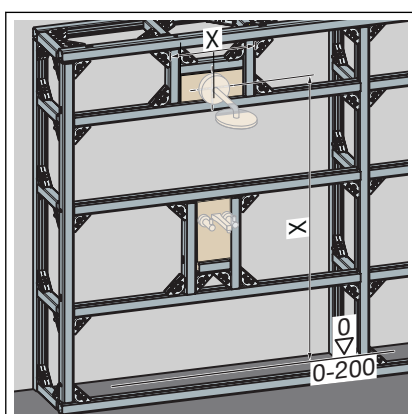


INFO! Use the plywood board in the open side of the rail only.

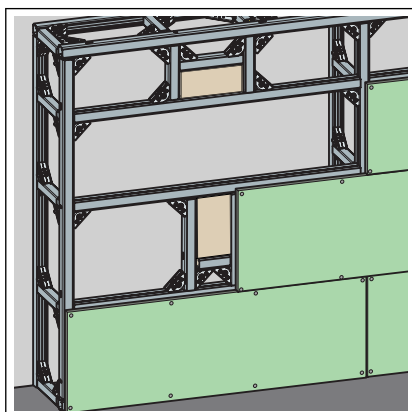
- Insert the plywood board into the desired position in the lateral and lower rail.
- Put the top rail in place and attach it onto the rail framework with two connectors.



- Vertical installation:
Check the height and width settings.
Observe the equipment manufacturer's instructions.



- Horizontal installation:
Check the height and width settings.
Observe the equipment manufacturer's instructions.



INFO!

- **Mark the position of the plywood board on the cladding panel to make processing easier.**
- **Also observe the mounting instructions for the cladding panels.**
- Clad the pre-wall with suitable gypsum cardboard cladding panels.
When cladding, make sure that no abutting edges converge.
- Grout the abutting edges and joints with a suitable filler.

3.3 Disposal

Separate the product and packaging materials (e. g. paper, metal, plastic or non-ferrous metals) and dispose of in accordance with valid national legal requirements.