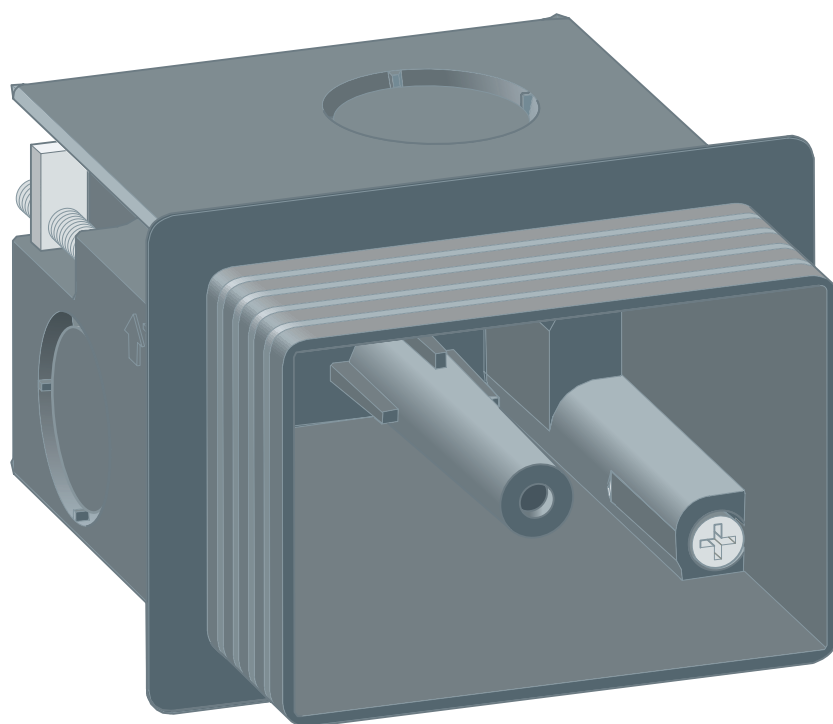
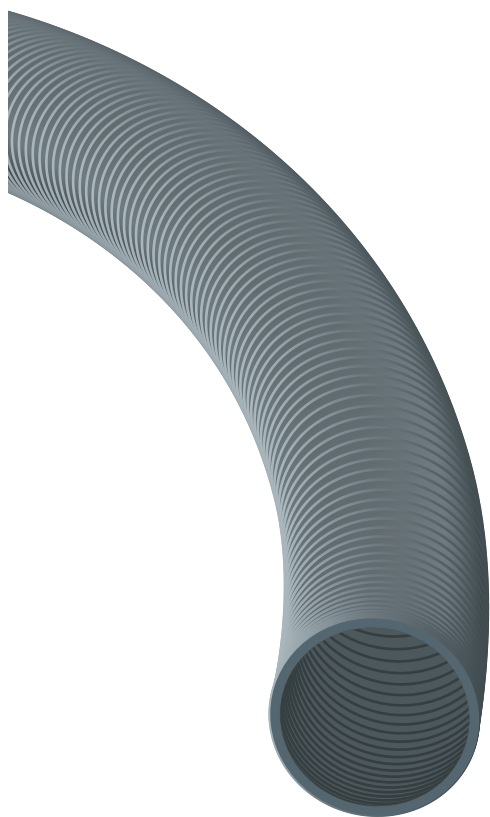


Prevista installation set

Instructions for Use



for Prevista remote flush actuations

Model
8640.14

Year built:
from 03/2019

en_INT

viega

Table of contents

1	About these instructions for use	4
1.1	Target groups	4
1.2	Labelling of notes	4
1.3	About this translated version	5
2	Product information	6
2.1	Intended use	6
2.1.1	Areas of use	6
2.2	Product description	6
2.2.1	Overview	6
3	Handling	7
3.1	Assembly	7
3.2	Disposal	10

1 About these instructions for use

Trade mark rights exist for this document; for further information, go to viega.com/legal.

1.1 Target groups

The information in this instruction manual is directed at the following groups of people:

- Heating and sanitary professionals and trained personnel

Individuals without the abovementioned training or qualification are not permitted to mount, install and, if required, maintain this product. This restriction does not extend to possible operating instructions.

The installation of Viega products must take place in accordance with the general rules of engineering and the Viega instructions for use.

1.2 Labelling of notes

Warning and advisory texts are set aside from the remainder of the text and are labelled with the relevant pictographs.



DANGER!

This symbol warns of possible life-threatening injury.



WARNING!

This symbol warns of possible serious injury.



CAUTION!

This symbol warns of possible injury.



NOTICE!

This symbol warns of possible damage to property.



This symbol gives additional information and hints.

1.3 About this translated version

This instruction for use contains important information about the choice of product or system, assembly and commissioning as well as intended use and, if required, maintenance measures. The information about the products, their properties and application technology are based on the current standards in Europe (e.g. EN) and/or in Germany (e.g. DIN/DVGW).

Some passages in the text may refer to technical codes in Europe/Germany. These should serve as recommendations in the absence of corresponding national regulations. The relevant national laws, standards, regulations, directives and other technical provisions take priority over the German/European directives specified in this manual: The information herein is not binding for other countries and regions; as said above, they should be understood as a recommendation.

2 Product information

2.1 Intended use

2.1.1 Areas of use

The Prevista installation set is required for the installation of WC remote flush actuators for Prevista.

2.2 Product description

2.2.1 Overview

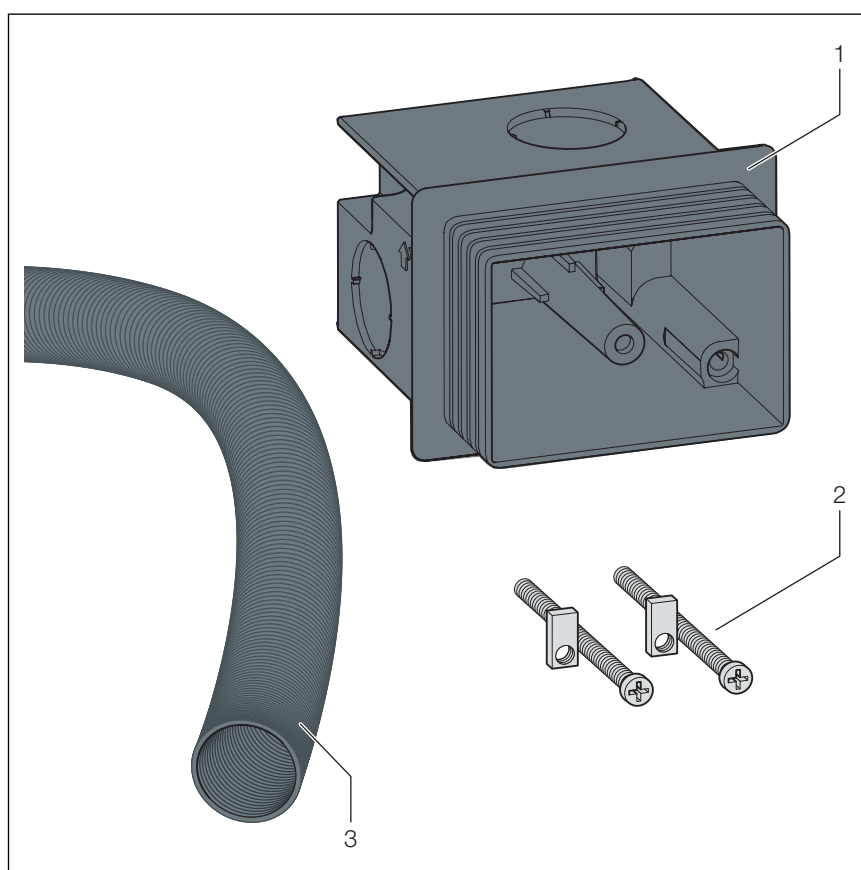


Fig. 1: Scope of delivery

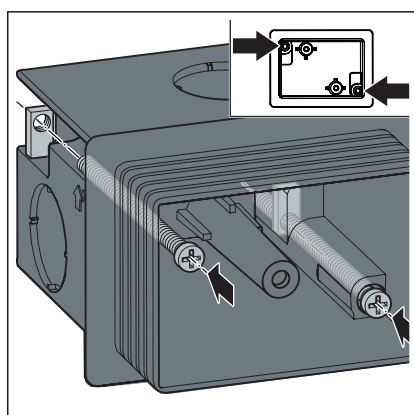
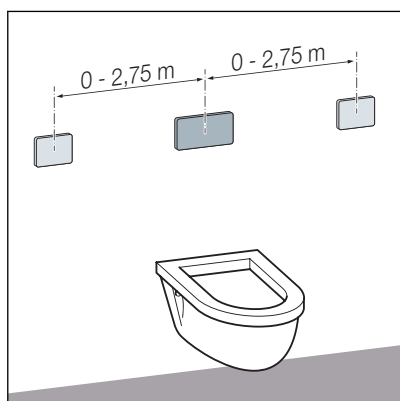
- 1 Concealed socket
- 2 Screws and plates for fixing
- 3 Protective pipe

3 Handling

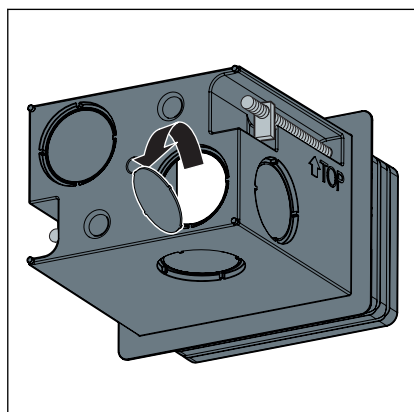
3.1 Assembly

Requirements:

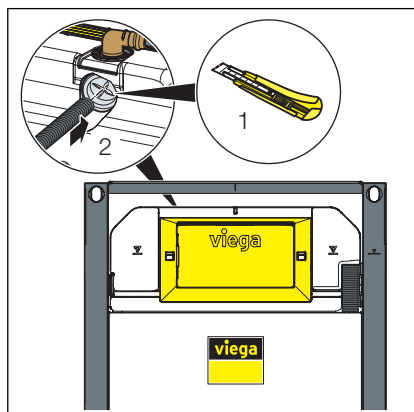
- The maximum cable length is 3 m.
 - Factor in at least 0.25 m for the cistern.
- The distances conform to the specifications:



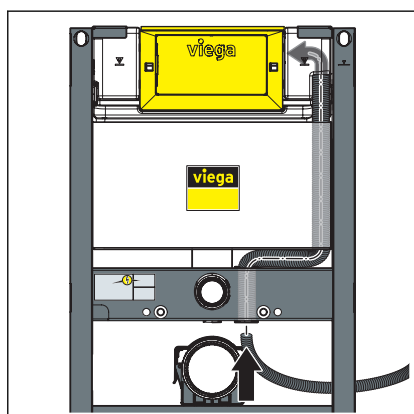
- Fasten the screws and securing plates in the concealed socket.



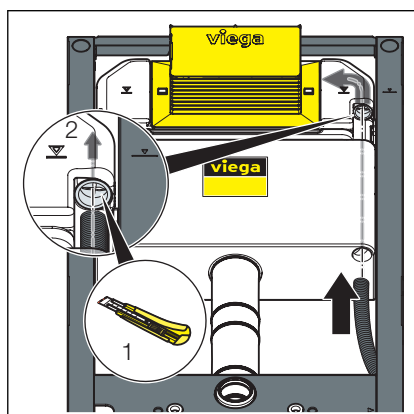
- Push through the concealed socket at the pre-punched location.



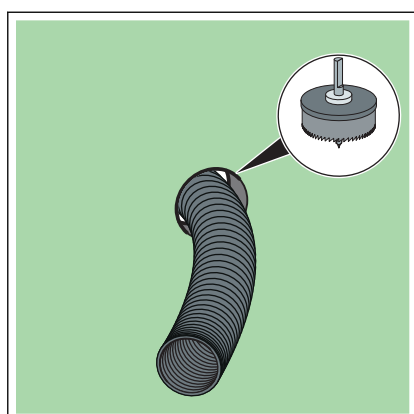
- **WC element, construction height 1120 mm or 980 mm**
- Cut in the cap crosswise for the free water connection.
- Insert the empty pipe into the cistern.



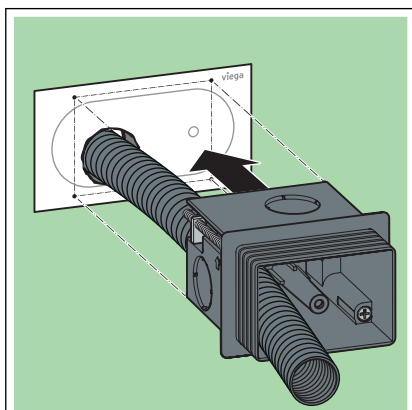
- **WC element, construction height 820 mm**
- Route the empty pipe through the shower WC connection into the cistern.



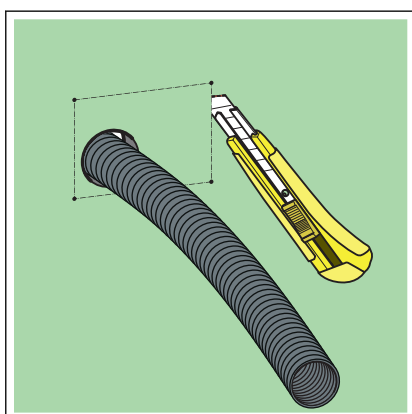
- **WC element, construction height 820 mm without shower WC connection**
- Insert the empty pipe into the cistern from below.
- Cut in the cap crosswise for the free water connection.



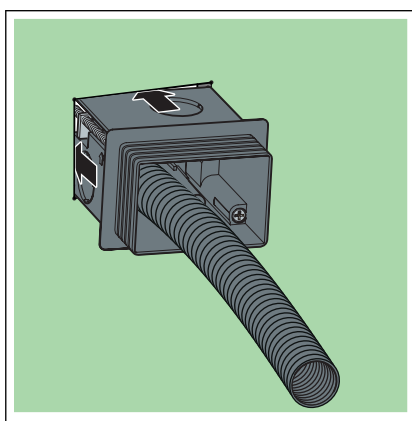
- Drill the recess for the empty pipe in the gypsum cladding panel.
- Route the empty pipe outside.



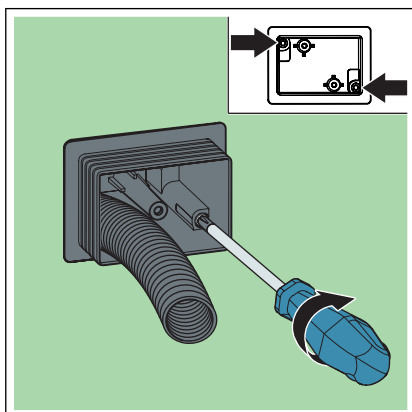
- Cut out the template for the remote flush actuation from the accompanying instructions.
- Cut the recess for the empty pipe from the template.
- Route the empty pipe through the template.
- Position the template on the gypsum cladding panel.
- Route the empty pipe through the concealed socket.
- Push the concealed socket onto the template and corn the gypsum cardboard cladding panel by applying gentle pressure.



- Cut the recesses for the concealed socket.



- Insert the concealed socket into the gypsum cladding panel.



► Screw on the concealed socket.

3.2 Disposal

Separate the product and packaging materials (e. g. paper, metal, plastic or non-ferrous metals) and dispose of in accordance with valid national legal requirements.